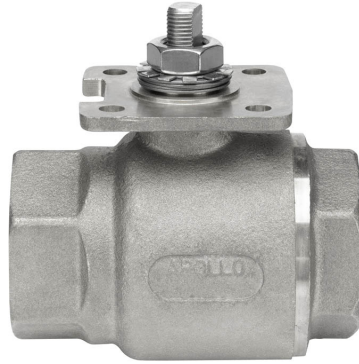


Ball Valve (VSS), 3/4", 2-way, Cv 30

- NSF/ANSI 61 – Water Quality – C. Hot
- NSF/ANSI 372 - Lead Free



2-year warranty

Type overview

Type	DN
B219VSS	20

Technical data

Functional data	Valve size [mm]	0.75" [20]	
	Fluid	chilled or hot water, up to 60% glycol, steam	
	Fluid Temp Range (water)	-30...148°C [-22...298°F]	
	Body Pressure Rating	1500 psig WOG	
	Close-off pressure Δps	1000 psi	
	Flow characteristic	modified equal percentage	
	Leakage rate	ANSI Class VI	
	Pipe connection	Internal thread NPT (female)	
	Max Differential Pressure (Steam)	50 psi	
	Flow Pattern	2-way	
	Controllable flow range	90° rotation, A – AB open ccw, B – AB open cw	
	Cv	30	
	Maximum Inlet Pressure (Steam)	50 psi	
	Maximum Velocity	15 FPS	
	Materials	Valve body	Stainless steel A351-CF8M 316
		Housing seal	PTFE
Stem		316 stainless steel	
Stem seal		RPTFE	
Seat		RPTFE	
Lock nut		stainless steel	
Ball		316 stainless steel	
Suitable actuators	Non Fail-Safe	NMB(X) GRCB(X) GRB(X)	
	Spring	NFB(X)	

Note: NSF/ANSI/CAN 61 Section 8, Annex G, NSF/ANSI 372 - Drinking Water System Components - Lead Content. Suitable for Cold, Domestic Hot, and Commercial Hot applications.

Product features

Application These threaded valves are designed to provide modulating or two position control of hot or chilled water and saturated steam systems under 50 psi.

Typical applications include reheat coils, VAV terminal control, unit ventilators, and air handlers, especially in areas which have minimum profile requirements.

Up to 50 psi steam

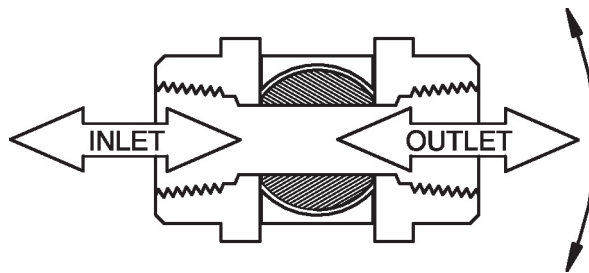
1/2" - 2000 PSIG WOG, Cold Non-Shock

Federal Specification: WW-V-35C, Type II

Composition: SS

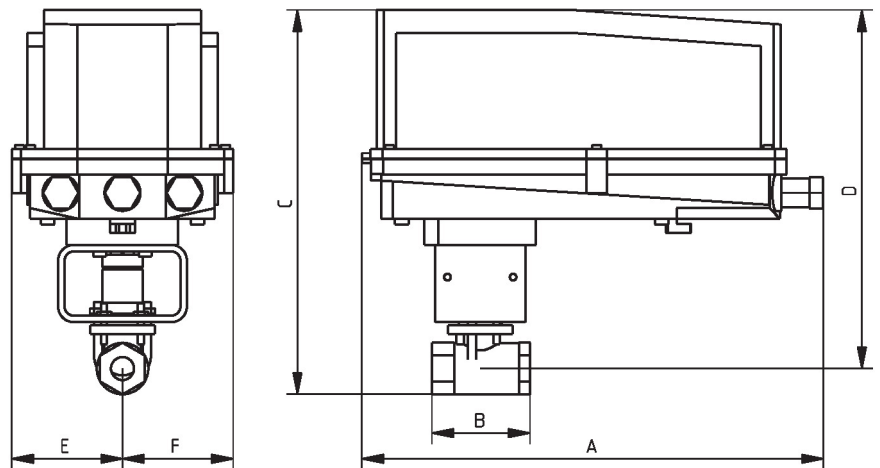
Style: 3

Flow/Mounting details



Dimensions

Type	DN	Weight
B219VSS	20	1.3 lb [0.58 kg]



B219VSS+GRC..N4

A	B	C	D	E	F
14.1" [358]	3.0" [76]	11.8" [300]	11.0" [279]	3.4" [86]	3.4" [86]

On/Off, Spring return, 24...240 V



5-year warranty



Technical data

Electrical data	Nominal voltage	AC 24...240 V / DC 24...125 V
	Nominal voltage frequency	50/60 Hz
	Nominal voltage range	AC 19.2...264 V / DC 21.6...137.5 V
	Power consumption in operation	6 W
	Power consumption in rest position	2.5 W
	Transformer sizing	9.5 VA
	Auxiliary switch	2x SPDT, 1 mA...3 A (0.5 A inductive), DC 5 V...AC 250 V, 1x 10% / 1x 11...90%
	Switching capacity auxiliary switch	1 mA...3 A (0.5 A inductive), DC 5 V...AC 250 V
	Electrical Connection	(2) 18 GA appliance cables, 3 ft [1 m], with 1/2" NPT conduit connectors
	Overload Protection	electronic throughout 0...95° rotation
Functional data	Torque motor	10 Nm
	Direction of motion motor	selectable by ccw/cw mounting
	Direction of motion fail-safe	reversible with cw/ccw mounting
	Manual override	5 mm hex crank (3/16" Allen), supplied
	Angle of rotation	95°
	Running Time (Motor)	75 s / 90°
	Running time fail-safe	<20 s @ -4...122°F [-20...50°C], <60 s @ -49°F [-45°C]
	Noise level, motor	50 dB(A)
	Noise level, fail-safe	62 dB(A)
	Position indication	Mechanical
Safety data	Power source UL	Class 2 Supply
	Degree of protection IEC/EN	IP54
	Degree of protection NEMA/UL	NEMA 2
	Enclosure	UL Enclosure Type 2
	Agency Listing	UL 873 listed, CSA C22.2 No. 24 certified
	Quality Standard	ISO 9001
	UL 2043 Compliant	Suitable for use in air plenums per Section 300.22(C) of the NEC and Section 602 of the IMC
	Ambient humidity	Max. 95% RH, non-condensing
	Ambient temperature	-22...122°F [-30...50°C]
	Storage temperature	-40...176°F [-40...80°C]
Servicing	maintenance-free	

Technical data

Weight	Weight	5.3 lb [2.4 kg]
Materials	Housing material	Galvanized steel and plastic housing

Footnotes †Rated Impulse Voltage 4kV, Type of Action 1.AA.B, Control Pollution Degree 3.

Electrical installation

✂ INSTALLATION NOTES

- Ⓐ Actuators with appliance cables are numbered.
- Ⓢ Universal Power Supply (UP) models can be supplied with AC 24...240 V, or DC 24...125 V.
- ⚠ Provide overload protection and disconnect as required.
- ⚠ Two built-in auxiliary switches (2x SPDT), for end position indication, interlock control, fan startup, etc.
- ⚠ Apply only AC line voltage or only UL-Class 2 voltage to the terminals of auxiliary switches. Mixed or combined operation of line voltage/safety extra low voltage is not allowed.
- ◆ Meets cULus requirements without the need of an electrical ground connection.
- ⚠ **Warning! Live electrical components!**
During installation, testing, servicing and troubleshooting of this product, it may be necessary to work with live electrical components. Have a qualified licensed electrician or other individual who has been properly trained in handling live electrical components perform these tasks. Failure to follow all electrical safety precautions when exposed to live electrical components could result in death or serious injury.

Wiring diagrams
On/Off

