

Ball Valve (VSS), 2", 2-way, Cv 108

- NSF/ANSI 61 – Water Quality – C. Hot
- NSF/ANSI 372 - Lead Free



2-year warranty

Type overview

Type	DN
B249VSS	50

Technical data

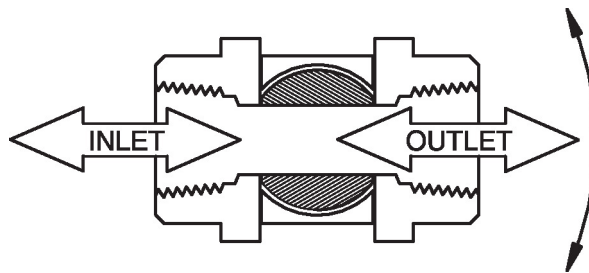
Functional data	Valve size [mm]	2" [50]
	Fluid	chilled or hot water, up to 60% glycol, steam
	Fluid Temp Range (water)	-30...148°C [-22...298°F]
	Body Pressure Rating	1500 psig WOG
	Close-off pressure Δps	1000 psi
	Flow characteristic	modified equal percentage
	Leakage rate	ANSI Class VI
	Pipe connection	Internal thread NPT (female)
	Max Differential Pressure (Steam)	50 psi
	Flow Pattern	2-way
	Controllable flow range	90° rotation, A – AB open ccw, B – AB open cw
	Cv	108
	Maximum Inlet Pressure (Steam)	50 psi
	Maximum Velocity	15 FPS
	Materials	Valve body
Housing seal		PTFE
Stem		316 stainless steel
Stem seal		RPTFE
Seat		RPTFE
Lock nut		stainless steel
Ball		316 stainless steel
Suitable actuators	Non Fail-Safe	GMB(X) PRB(X)
	Spring	AF
	Electrical fail-safe	PKRB(X)

Note: NSF/ANSI/CAN 61 Section 8, Annex G, NSF/ANSI 372 - Drinking Water System Components - Lead Content. Suitable for Cold, Domestic Hot, and Commercial Hot applications.

Product features

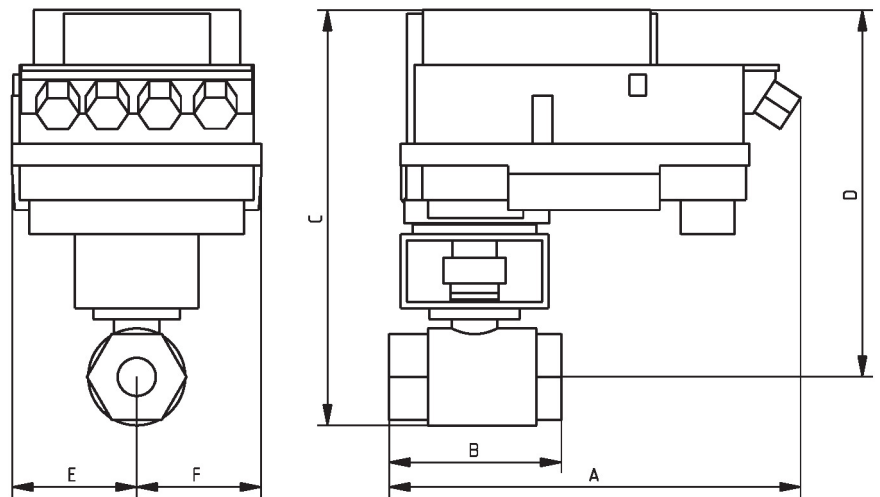
Application These threaded valves are designed to provide modulating or two position control of hot or chilled water and saturated steam systems under 50 psi.
 Typical applications include reheat coils, VAV terminal control, unit ventilators, and air handlers, especially in areas which have minimum profile requirements.
 Up to 50 psi steam
 1/2" - 2000 PSIG WOG, Cold Non-Shock
 Federal Specification: WW-V-35C, Type II
 Composition: SS
 Style: 3

Flow/Mounting details



Dimensions

Type	DN	Weight
B249VSS	50	6.2 lb [2.8 kg]



B249VSS+PKR..

A	B	C	D	E	F
12.8" [325]	5.5" [140]	13.3" [337]	11.7" [298]	4.0" [102]	4.0" [102]

MFT/programmable, Spring return, 24 V



5-year warranty



Technical data

Electrical data	Nominal voltage	AC/DC 24 V
	Nominal voltage frequency	50/60 Hz
	Nominal voltage range	AC 19.2...28.8 V / DC 21.6...28.8 V
	Power consumption in operation	7.5 W
	Power consumption in rest position	3 W
	Transformer sizing	20 VA
	Electrical Connection	18 GA appliance cable, 1 m, 3 m, or 5 m with 1/2" NPT conduit connector, degree of protection NEMA 2 / IP54
	Overload Protection	electronic throughout 0...95° rotation
	Functional data	Operating range Y
Operating range Y note		4...20 mA w/ ZG-R01 (500 Ω, 1/4 W resistor)
Input impedance		100 kΩ for 2...10 V (0.1 mA), 500 Ω for 4...20 mA, 1500 Ω for PWM, On/Off and Floating point
Operating range Y variable		Start point 0.5...30 V End point 2.5...32 V
Operating modes optional		variable (VDC, PWM, on/off, floating point)
Position feedback U		2...10 V
Position feedback U note		Max. 0.5 mA
Position feedback U variable		VDC variable
Direction of motion motor		selectable with switch 0/1
Direction of motion fail-safe		reversible with cw/ccw mounting
Manual override		5 mm hex crank (3/16" Allen), supplied
Angle of rotation		95°
Angle of rotation note		adjustable with mechanical end stop, 35...95°
Running Time (Motor)		150 s / 90°
Running time motor variable		70...220 s
Running time fail-safe		<20 s
Override control		MIN (minimum position) = 0% MID (intermediate position) = 50% MAX (maximum position) = 100%
Noise level, motor		40 dB(A)
Noise level, fail-safe		62 dB(A)
Position indication		Mechanical
Safety data	Power source UL	Class 2 Supply

Technical data

Safety data	Degree of protection IEC/EN	IP54
	Degree of protection NEMA/UL	NEMA 2
	Enclosure	UL Enclosure Type 2
	Agency Listing	cULus acc. to UL60730-1A/-2-14, CAN/CSA E60730-1:02, CE acc. to 2014/30/EU
	Quality Standard	ISO 9001
	UL 2043 Compliant	Suitable for use in air plenums per Section 300.22(C) of the NEC and Section 602 of the IMC
	Ambient humidity	Max. 95% RH, non-condensing
	Ambient temperature	-22...122°F [-30...50°C]
	Storage temperature	-40...176°F [-40...80°C]
	Servicing	maintenance-free
Weight	Weight	□
Materials	Housing material	Galvanized steel and plastic housing

Footnotes *Variable when configured with MFT options.





Accessories

Gateways	Description	Type
	Gateway MP to BACnet MS/TP	UK24BAC
	Gateway MP to Modbus RTU	UK24MOD
	Gateway MP to LonWorks	UK24LON
Electrical accessories	Description	Type
	Service tool, with ZIP-USB function, for programmable and communicative Belimo actuators, VAV controller and HVAC performance devices	ZTH US
Tools	Description	Type
	Connecting cable 10 ft [3 m], A: RJ11 6/4 ZTH EU, B: 3-pin Weidmüller and supply connection	ZK4-GEN
	Service tool, with ZIP-USB function, for programmable and communicative Belimo actuators, VAV controller and HVAC performance devices	ZTH US

Electrical installation

- Warning! Live electrical components!**
During installation, testing, servicing and troubleshooting of this product, it may be necessary to work with live electrical components. Have a qualified licensed electrician or other individual who has been properly trained in handling live electrical components perform these tasks. Failure to follow all electrical safety precautions when exposed to live electrical components could result in death or serious injury.
- Actuators with appliance cables are numbered.
- Meets cULus requirements without the need of an electrical ground connection.
- Provide overload protection and disconnect as required.
- Actuators may also be powered by DC 24 V.
- Only connect common to negative (-) leg of control circuits.
- A 500 Ω resistor (ZG-R01) converts the 4...20 mA control signal to 2...10 V.
- Control signal may be pulsed from either the Hot (Source) or Common (Sink) 24 V line.

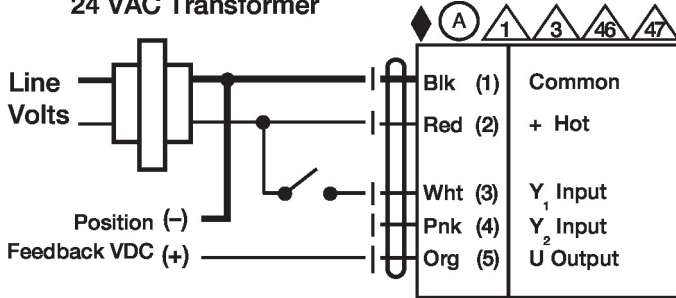
Electrical installation

-  For triac sink the Common connection from the actuator must be connected to the Hot connection of the controller. Position feedback cannot be used with a triac sink controller; the actuator internal common reference is not compatible.
-  IN4004 or IN4007 diode. (IN4007 supplied, Belimo part number 40155).
-  Actuators may be controlled in parallel. Current draw and input impedance must be observed.
-  Master-Slave wiring required for piggy-back applications. Feedback from Master to control input(s) of Slave(s).

Wiring diagrams

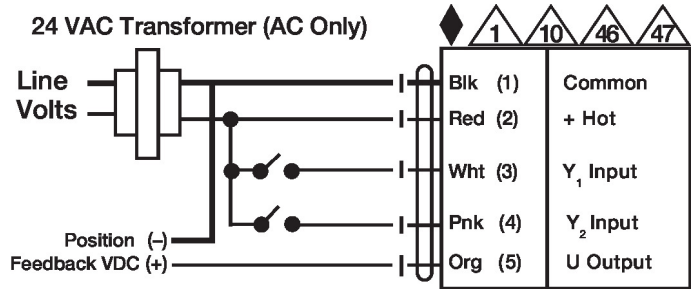
On/Off

24 VAC Transformer



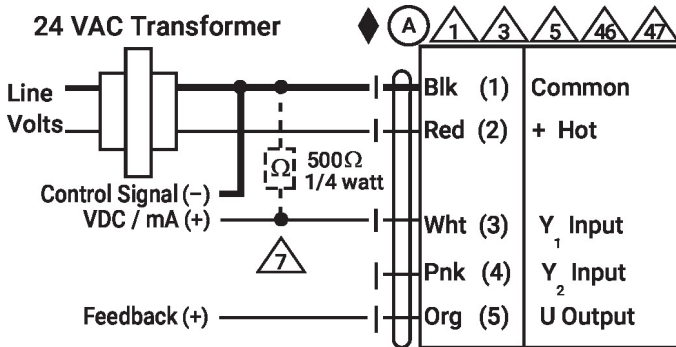
Floating Point

24 VAC Transformer (AC Only)



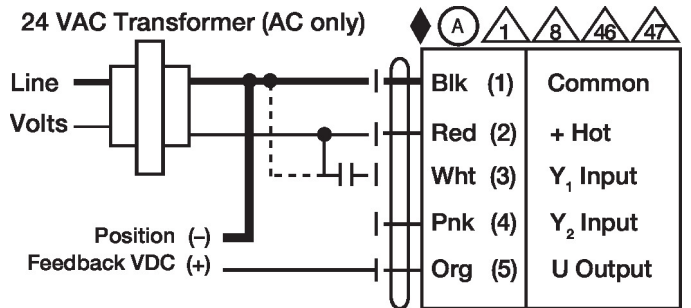
VDC/mA Control

24 VAC Transformer



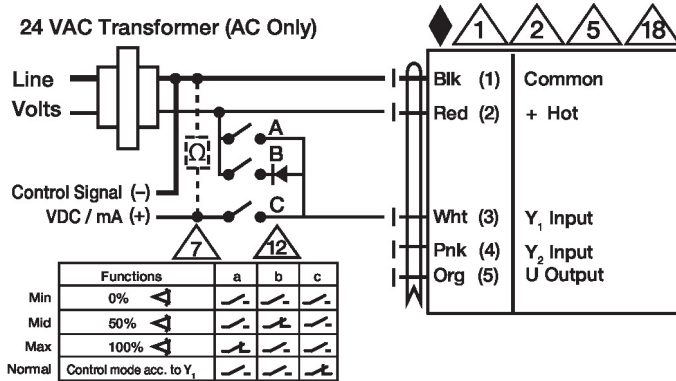
PWM Control

24 VAC Transformer (AC only)



Override Control

24 VAC Transformer (AC Only)



Primary - Secondary

