

## Potable water valve, 2-way, Flange

- For potable water applications
- NSF/ANSI 372 - Lead Free
- NSF/ANSI 61 - CLD 23 – Water Quality
- CRN: OC/2102CL
- MSS SP67-2002a



2-year warranty



## Technical data

<b>Functional data</b>	Valve size [mm]	2" [50]
	Fluid	Potable water
	Fluid Temp Range (water)	-30...120°C [-22...250°F]
	Body Pressure Rating	ANSI Class Consistent with 125, 200 psi CWP
	Close-off pressure Δps	150 psi
	Flow characteristic	modified equal percentage
	Leakage rate	0%
	Pipe connection	Flange for use with ASME/ANSI class 125/150
	Installation orientation	upright to horizontal (in relation to the stem)
	Servicing	maintenance-free
	Rangeability Sv	30:1 (for 30...70° range)
	Flow Pattern	2-way
	Controllable flow range	90° rotation
	Cv	115
Maximum Velocity	12 FPS	
Lug threads	5/8-11 UNC	
<b>Materials</b>	Valve body	Ductile cast iron ASTM A536
	Body finish	Epoxy powder coating (black RAL 9005)
	Stem	416 stainless steel
	Stem seal	Buna-N
	Seat	EPDM
	Bearing	RPTFE
	Disc	Aluminum Bronze
<b>Suitable actuators</b>	Non Fail-Safe	AMB(X)
	Spring	AF
	Electrical fail-safe	GRCB(X) GKRB(X)

## Safety notes



- The valve has to be exercised at least once a week, so that the quality of potable water as well as the functionality are not affected.

Product features

Flow/Mounting details



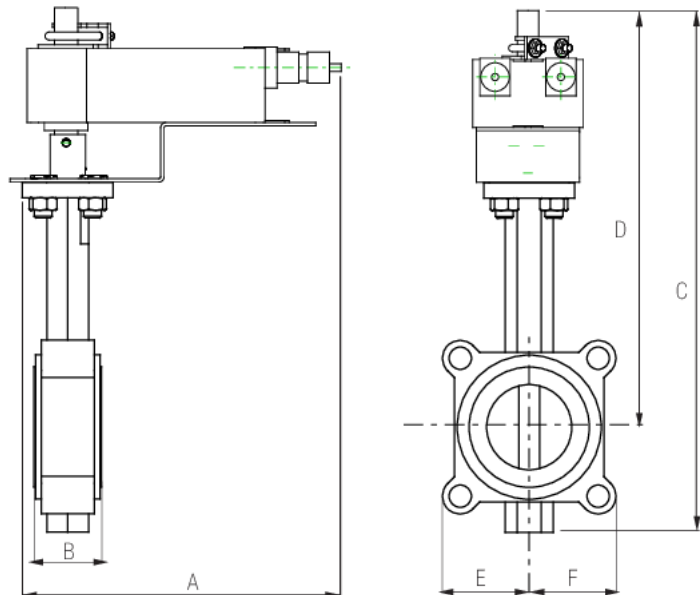
**Operating mode** The valve is adjusted by a rotary actuator. The rotary actuator is connected by an on/off signal. Open the ball valve counterclockwise and close it clockwise.

Dimensions

DN  
50

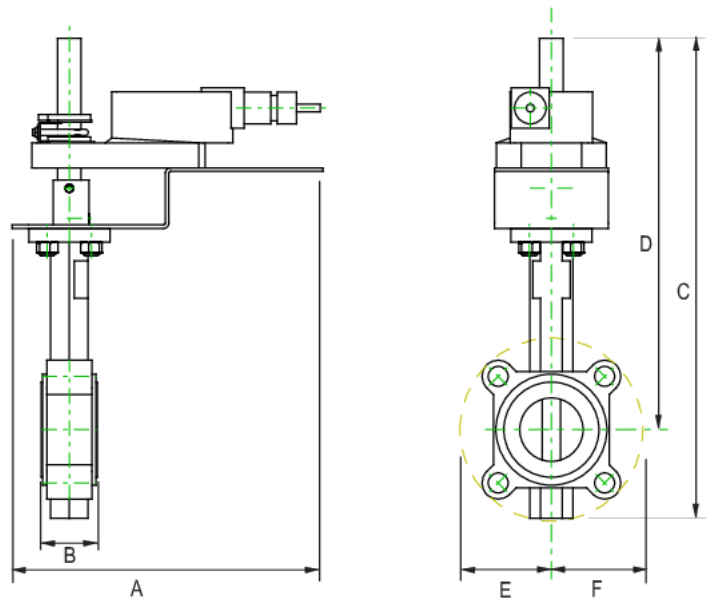
Weight  
□

Valve with AFX Actuator



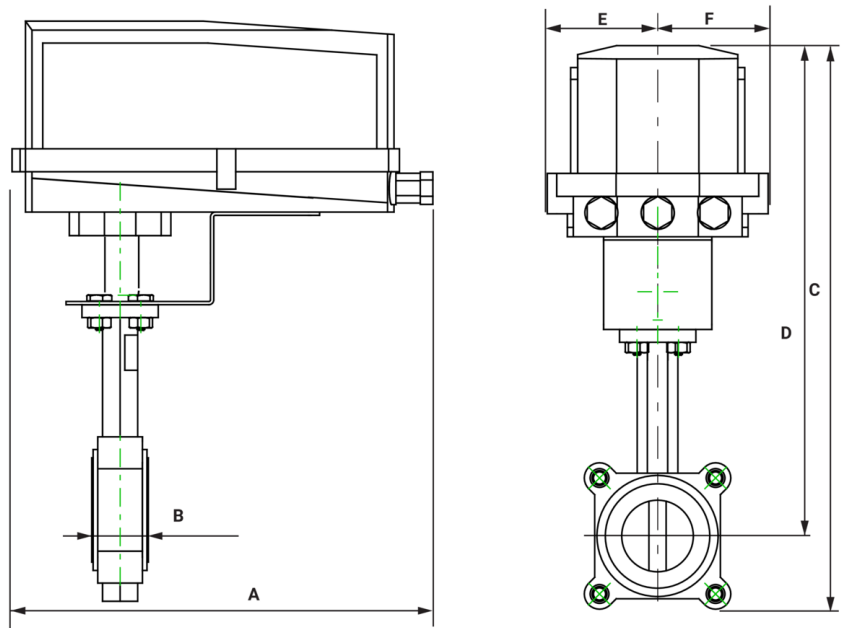
A	B	C	D	E	F	Number of Bolt Holes
10.1" [257]	1.8" [45]	16.0" [406]	12.9" [328]	2.9" [73]	2.9" [73]	4

Dimensions



Valve with AM Actuator

A	B	C	D	E	F	Number of Bolt Holes
10.1" [257]	1.8" [45]	16.0" [406]	12.9" [328]	2.9" [73]	2.9" [73]	4



Valve with DR N4/GR N4/GK N4 Actuator

A	B	C	D	E	F	Number of Bolt Holes
14.1" [358]	1.8" [45]	21.7" [550]	18.5" [470]	3.4" [86]	3.4" [86]	4



5-year warranty



Technical data

<b>Electrical data</b>	Nominal voltage	AC/DC 24 V
	Nominal voltage frequency	50/60 Hz
	Nominal voltage range	AC 19.2...28.8 V / DC 21.6...28.8 V
	Power consumption in operation	5 W
	Power consumption in rest position	2.5 W
	Transformer sizing	7.5 VA
	Electrical Connection	18 GA appliance cable, 1 m, 3 m or 5 m, with or without 1/2" NPT conduit connector
	Overload Protection	electronic throughout 0...95° rotation
<b>Functional data</b>	Position feedback U note	No Feedback
	Direction of motion motor	selectable by ccw/cw mounting
	Direction of motion fail-safe	reversible with cw/ccw mounting
	Manual override	5 mm hex crank (3/16" Allen), supplied
	Angle of rotation	95°
	Running Time (Motor)	75 s / 90°
	Running time fail-safe	<20 s
	Noise level, motor	50 dB(A)
	Noise level, fail-safe	62 dB(A)
	Position indication	Mechanical
<b>Safety data</b>	Power source UL	Class 2 Supply
	Degree of protection IEC/EN	IP54
	Degree of protection NEMA/UL	NEMA 2
	Enclosure	UL Enclosure Type 2
	Agency Listing	cULus acc. to UL60730-1A/-2-14, CAN/CSA E60730-1:02, CE acc. to 2014/30/EU
	Quality Standard	ISO 9001
	UL 2043 Compliant	Suitable for use in air plenums per Section 300.22(C) of the NEC and Section 602 of the IMC
	Ambient humidity	Max. 95% RH, non-condensing
	Ambient temperature	-22...122°F [-30...50°C]
	Storage temperature	-40...176°F [-40...80°C]
	Servicing	maintenance-free
<b>Weight</b>	Weight	4.6 lb [2.1 kg]
	<b>Materials</b>	Housing material Galvanized steel and plastic housing

**Footnotes** †Rated Impulse Voltage 4kV, Type of action 1.AA, Control Pollution Degree 3.

## Electrical installation

- ⚠ Warning! Live electrical components!**  
 During installation, testing, servicing and troubleshooting of this product, it may be necessary to work with live electrical components. Have a qualified licensed electrician or other individual who has been properly trained in handling live electrical components perform these tasks. Failure to follow all electrical safety precautions when exposed to live electrical components could result in death or serious injury.
- Ⓐ Actuators with appliance cables are numbered.
  - ⚠ Provide overload protection and disconnect as required.
  - ⚠ Actuators may also be powered by DC 24 V.
  - ⚠ Actuators may be powered in parallel. Power consumption must be observed.
  - ⚠ Parallel wiring required for piggy-back applications.
  - ◆ Meets cULus requirements without the need of an electrical ground connection.

**Wiring diagrams**

On/Off

