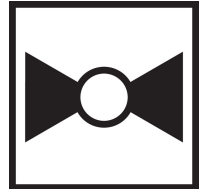


Butterfly Valve with Grooved types

- Disc electroless nickel coated ductile iron
- Bubble tight shut-off
- Resilient seat
- Valve face-to-face dimensions comply with AWWA (c606) & MSS-SP-67
- Completely assembled and tested, ready for installation
- VIC-300 Masterseal is manufactured by the Victaulic Company.



5-year warranty


Type overview

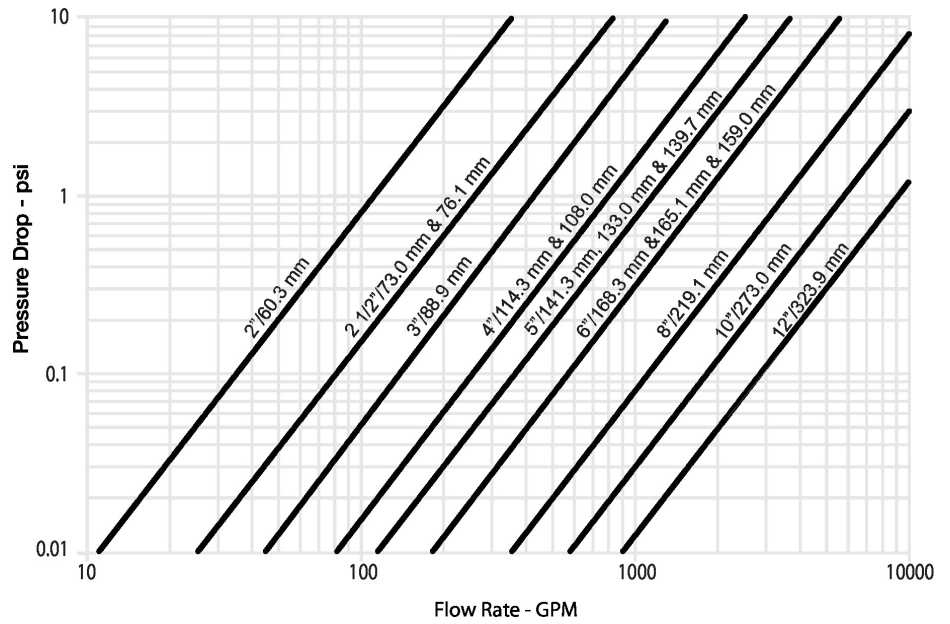
Type	DN
F665VIC	65

Technical data

Functional data	Valve size [mm]	2.5" [65]	
	Fluid	chilled or hot water, up to 60% glycol	
	Fluid Temp Range (water)	-30...120°C [-22...250°F]	
	Body Pressure Rating	ANSI Class Grooved AWWA, 300 psi	
	Flow characteristic	modified equal percentage	
	Leakage rate	0%	
	Pipe connection	Grooved ANSI/AWWA (c606)	
	Servicing	maintenance-free	
	Flow Pattern	2-way	
	Controllable flow range	90° rotation	
	Cv	260	
	Maximum Velocity	20 FPS	
	Materials	Valve body	Ductile cast iron ASTM A536
		Body finish	black alkyd enamel
Stem		416 stainless steel	
Stem seal		fiberglass with TFE lining	
Seat		EPDM	
Disc		electroless nickel coated ductile iron	
Suitable actuators	Non Fail-Safe	AMB(X) GRCB(X) GMB(X)	
	Spring	AFB(X)	

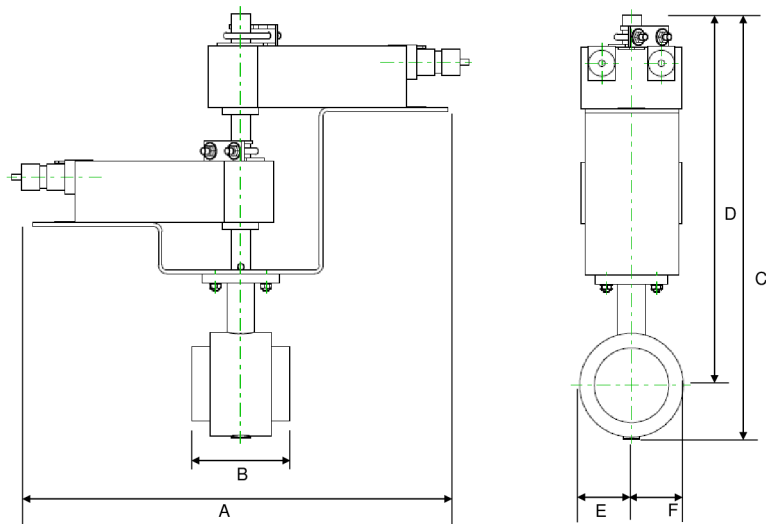
Product features

Flow/Mounting details



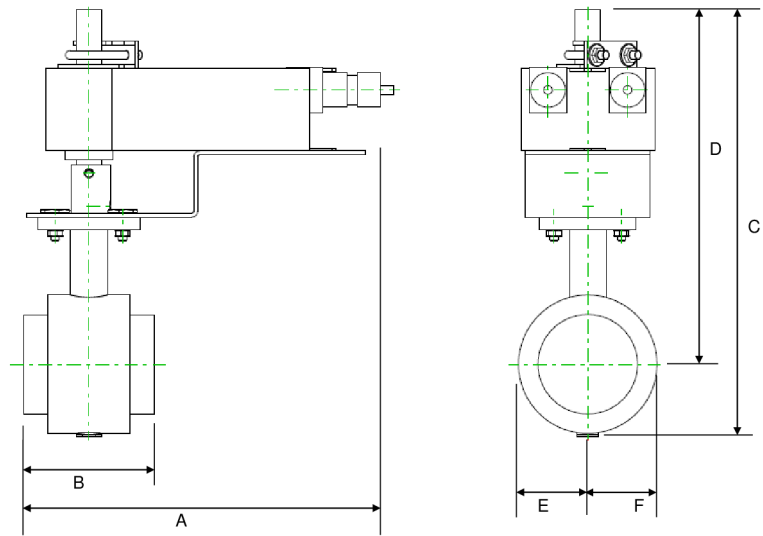
Dimensions

Type	DN	Weight
F665VIC	65	6.4 lb [2.9 kg]



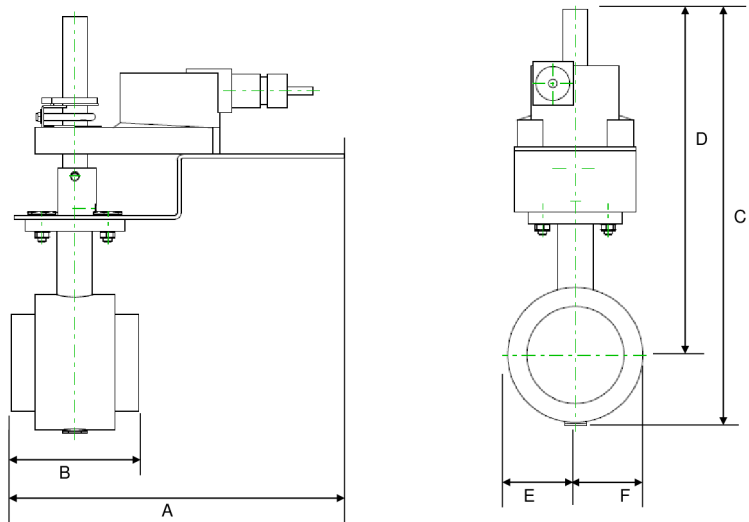
2*AF

A	B	C	D	E	F
17.6" [448]	3.8" [97]	16.4" [416]	14.3" [363]	2.1" [54]	2.1" [54]



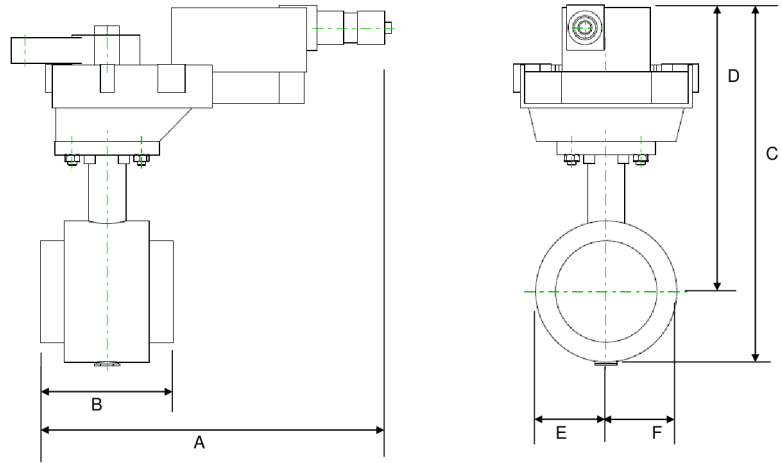
AF

A	B	C	D	E	F
10.7" [273]	3.8" [97]	12.3" [312]	10.2" [260]	2.1" [54]	2.1" [54]



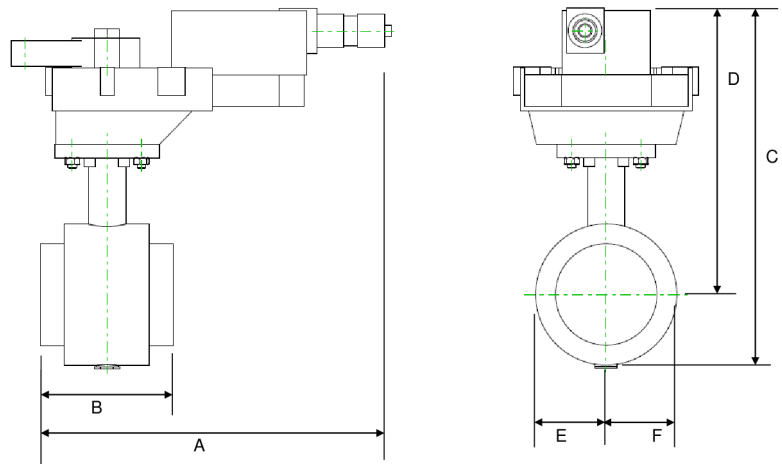
AM

A	B	C	D	E	F
9.9" [251]	3.8" [97]	12.3" [312]	10.2" [260]	2.1" [54]	2.1" [54]



GM

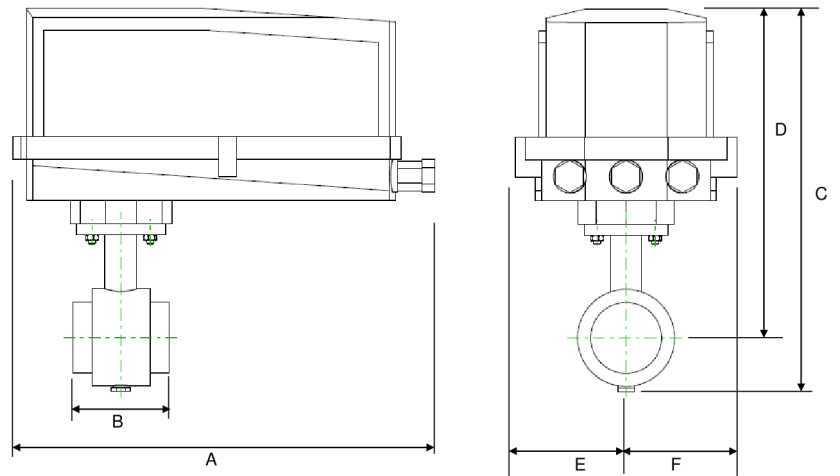
A	B	C	D	E	F
9.9" [251]	3.8" [97]	12.3" [312]	10.2" [260]	2.1" [54]	2.1" [54]



GR

A	B	C	D	E	F
10.8" [275]	3.8" [97]	10.2" [260]	8.1" [206]	2.1" [54]	2.1" [54]

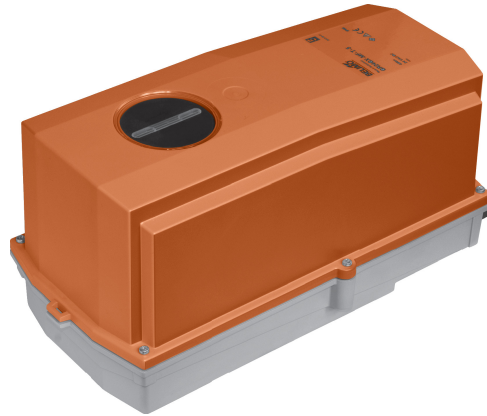
Dimensions



GR N4

A	B	C	D	E	F
14.1" [358]	3.8" [97]	13.6" [345]	11.5" [292]	2.1" [54]	2.1" [54]

MFT/programmable, Non fail-safe, 24 V



5-year warranty



Technical data

Electrical data	Nominal voltage	AC/DC 24 V
	Nominal voltage frequency	50/60 Hz
	Nominal voltage range	AC 19.2...28.8 V / DC 21.6...28.8 V
	Power consumption in operation	8 W
	Power consumption in rest position	2.5 W
	Transformer sizing	11 VA
	Electrical Connection	Terminal blocks
	Overload Protection	electronic throughout 0...90° rotation
Functional data	Operating range Y	2...10 V
	Operating range Y note	4...20 mA w/ ZG-R01 (500 Ω, 1/4 W resistor)
	Input impedance	600 Ω
	Operating range Y variable	Start point 0.5...30 V End point 2.5...32 V
	Operating modes optional	variable (VDC, on/off, floating point)
	Position feedback U	2...10 V
	Position feedback U note	Max. 0.5 mA
	Position feedback U variable	VDC variable
	Direction of motion motor	selectable with switch 0/1
	Manual override	under cover
	Angle of rotation	90°
	Angle of rotation note	adjustable with mechanical stop
	Running Time (Motor)	35 s / 90°
	Running time motor variable	35...150 s
	Noise level, motor	45 dB(A)
Position indication	Mechanical, 5...20 mm stroke	
Safety data	Power source UL	Class 2 Supply
	Degree of protection IEC/EN	IP66/67
	Degree of protection NEMA/UL	NEMA 4X
	Enclosure	UL Enclosure Type 4X
	Agency Listing	cULus acc. to UL60730-1A/-2-14, CAN/CSA E60730-1:02, CE acc. to 2014/30/EU and 2014/35/EU
	Quality Standard	ISO 9001
	Ambient humidity	Max. 100% RH
	Ambient temperature	-22...122°F [-30...50°C]
	Ambient temperature note	-40...50°C for actuator with integrated heating

Technical data

Safety data	Storage temperature	-40...176°F [-40...80°C]
	Servicing	maintenance-free
Weight	Weight	4.6 lb [2.1 kg]
Materials	Housing material	Die cast aluminium and plastic casing
Footnotes	†Rated Impulse Voltage 800V, Type of action 1.AA, Control Pollution Degree 3	

Accessories

Gateways	Description	Type
	Gateway MP to BACnet MS/TP	UK24BAC
	Gateway MP to Modbus RTU	UK24MOD
	Gateway MP to LonWorks	UK24LON
Electrical accessories	Description	Type
	Battery backup system, for non-spring return models	NSV24 US
	Battery, 12 V, 1.2 Ah (two required)	NSV-BAT
	Auxiliary switch 1x SPDT add-on	S1A
	Auxiliary switch 2x SPDT add-on	S2A
	Feedback potentiometer 140 Ω add-on, grey	P140A GR
	Feedback potentiometer 1 kΩ add-on, grey	P1000A GR
	Feedback potentiometer 10 kΩ add-on, grey	P10000A GR
	Feedback potentiometer 2.8 kΩ add-on, grey	P2800A GR
	Feedback potentiometer 500 Ω add-on, grey	P500A GR
	Feedback potentiometer 5 kΩ add-on, grey	P5000A GR
Tools	Description	Type
	Connecting cable 10 ft [3 m], A: RJ11 6/4 ZTH EU, B: 3-pin Weidmüller and supply connection	ZK4-GEN
	Service tool, with ZIP-USB function, for programmable and communicative Belimo actuators, VAV controller and HVAC performance devices	ZTH US
Factory add-on option only	Description	Type
	Heater, with adjustable thermostat	ACT_PACK_H

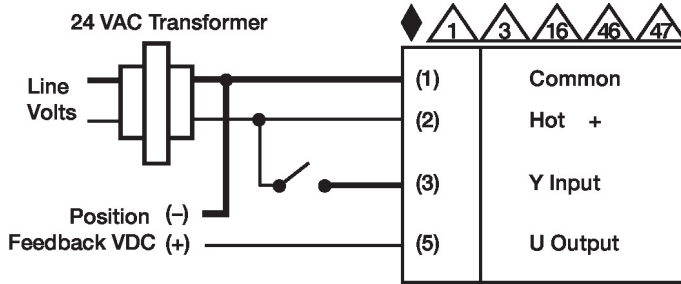
Electrical installation
INSTALLATION NOTES

- Provide overload protection and disconnect as required.
- Actuators may also be powered by DC 24 V.
- Only connect common to negative (-) leg of control circuits.
- A 500 Ω resistor (ZG-R01) converts the 4...20 mA control signal to 2...10 V.
- Actuators are provided with a numbered screw terminal strip instead of a cable.
- Actuators may be controlled in parallel. Current draw and input impedance must be observed.
- Master-Slave wiring required for piggy-back applications. Feedback from Master to control input(s) of Slave(s).
- Meets cULus requirements without the need of an electrical ground connection.
- Warning! Live electrical components!**
During installation, testing, servicing and troubleshooting of this product, it may be necessary to work with live electrical components. Have a qualified licensed electrician or other individual who has been properly trained in handling live electrical components perform these tasks. Failure to follow all electrical safety precautions when exposed to live electrical components could result in death or serious injury.

Electrical installation

Wiring diagrams

On/Off



VDC/mA Control

