



5-year warranty

**Type overview**

|             |           |
|-------------|-----------|
| <b>Type</b> | <b>DN</b> |
| G6125LCS    | 125       |

**Technical data**

|                           |                                   |   |
|---------------------------|-----------------------------------|---|
| <b>Functional data</b>    | Valve size [mm]                   | 5" [125]                                      |
|                           | Fluid                             | chilled or hot water, up to 60% glycol, steam |
|                           | Fluid Temp Range (water)          | 32...350°F [0...176°C]                        |
|                           | Fluid Temp Range (steam)          | 32...338°F [0...170°C]                        |
|                           | Body Pressure Rating              | ANSI Class 125, up to 175 psi below 150°F     |
|                           | Flow characteristic               | linear  |
|                           | Servicing                         | repack/rebuild kits available                 |
|                           | Rangeability Sv                   | 100:1   |
|                           | Max Differential Pressure (Steam) | 50 psi [345 kPa]                              |
|                           | Flow Pattern                      | 2-way   |
|                           | Leakage rate                      | ANSI Class III                                |
|                           | Controllable flow range           | stem up - open A – AB                         |
|                           | Cv                                | 263   |
|                           | Maximum Inlet Pressure (Steam)    | 100 psi [690 kPa]                             |
| <b>Materials</b>          | Valve body                        | Cast iron - ASTM A126 Class B                 |
|                           | Valve plug                        | Stainless steel                               |
|                           | Stem                              | 316 stainless steel                           |
|                           | Stem seal                         | NLP EPDM (no lip packing)                     |
|                           | Seat                              | Stainless steel AISI 316                      |
|                           | Pipe connection                   | 125 lb flanged                                |
| <b>Suitable actuators</b> | Non-Spring                        | EVB(X)  |
|                           | Spring                            | (2*AFB(X))                                    |
|                           | Electrical fail-safe              | AVKB(X)                                       |

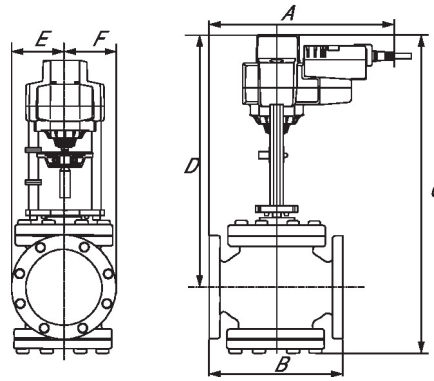
**Safety notes**


- **WARNING:** This product can expose you to lead which is known to the State of California to cause cancer and reproductive harm. For more information go to [www.p65warnings.ca.gov](http://www.p65warnings.ca.gov)
- The valve has been designed for use in stationary heating, ventilation and air-conditioning systems and must not be used outside the specified field of application, especially in aircraft or in any other airborne means of transport.
- Only authorized specialists may carry out installation. All applicable legal or institutional installation regulations must be complied during installation.
- The valve does not contain any parts that can be replaced or repaired by the user.
- When determining the flow rate characteristic of controlled devices, the recognised directives must be observed.

Dimensions

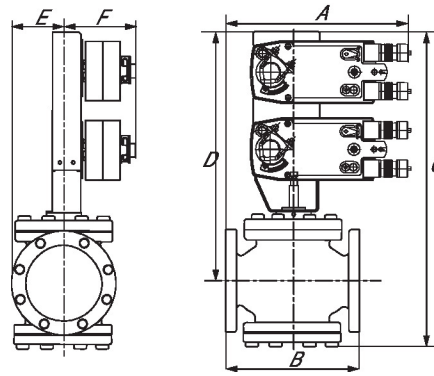
|          |     |                   |
|----------|-----|-------------------|
| Type     | DN  | Weight            |
| G6125LCS | 125 | 147.74 lb [67 kg] |

EVB, EVX, RVB, RVX



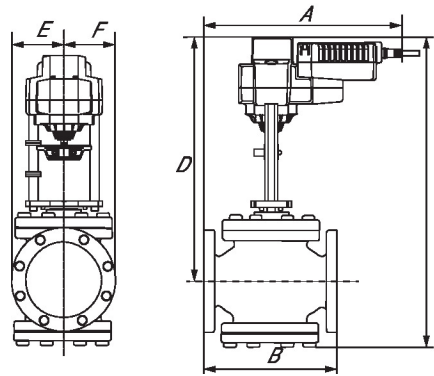
| A           | B           | C           | D           | E          | F          | Number of Bolt Holes |
|-------------|-------------|-------------|-------------|------------|------------|----------------------|
| 15.7" [400] | 15.1" [383] | 25.4" [646] | 17.5" [445] | 5.0" [127] | 5.0" [127] | 8                    |

2\*AFB, 2\*AFX



| A           | B           | C           | D           | E          | F          | Number of Bolt Holes |
|-------------|-------------|-------------|-------------|------------|------------|----------------------|
| 15.1" [383] | 15.7" [400] | 28.7" [730] | 21.0" [533] | 5.0" [127] | 5.3" [135] | 8                    |

AVKB, AVKX



| A           | B           | C           | D           | E          | F          | Number of Bolt Holes |
|-------------|-------------|-------------|-------------|------------|------------|----------------------|
| 15.1" [383] | 15.7" [400] | 25.4" [646] | 17.5" [445] | 5.0" [127] | 5.0" [127] | 8                    |



5-year warranty







## Technical data

|                        |                                    |  |
|------------------------|------------------------------------|--|
| <b>Electrical data</b> | Nominal voltage                    | AC/DC 24 V   |
|                        | Nominal voltage frequency          | 50/60 Hz   |
|                        | Power consumption in operation     | 5 W  |
|                        | Power consumption in rest position | 1.5 W  |
|                        | Transformer sizing                 | 7.5 VA (class 2 power source)  |
|                        | Electrical Connection              | 18 GA plenum cable, 3 ft [1 m], with 1/2" conduit connector, degree of protection NEMA 2 / IP54  |
|                        | Overload Protection                | electronic throughout full stroke  |
| Electrical Protection  | actuators are double insulated     |  |
| <b>Functional data</b> | Actuating force motor              | 2500 N [560 lbf]   |
|                        | Operating range Y                  | 2...10 V   |
|                        | Operating range Y note             | 4...20 mA w/ ZG-R01 (500 Ω, 1/4 W resistor)  |
|                        | Input Impedance                    | 100 kΩ for 2...10 V (0.1 mA), 500 Ω for 4...20 mA  |
|                        | Position feedback U                | 2...10 V   |
|                        | Position feedback U note           | Max. 0.5 mA  |
|                        | Direction of motion motor          | selectable with switch 0/1   |
|                        | Manual override                    | 5 mm hex crank (3/16" Allen), supplied   |
|                        | Stroke                             | 2" [50 mm]   |
|                        | Running Time (Motor)               | 90 s /   |
|                        | Running time motor note            | constant, independent of load  |
|                        | Noise level, motor                 | 60 dB(A)   |
|                        | Position indication                | Mechanically, with pointer   |
| <b>Safety data</b>     | Degree of protection IEC/EN        | IP54   |
|                        | Degree of protection NEMA/UL       | NEMA 2   |
|                        | Enclosure                          | UL Enclosure Type 2  |
|                        | Agency Listing                     | cULus acc. to UL60730-1A/-2-14, CAN/CSA E60730-1:02, CE acc. to 2014/30/EU and 2014/35/EU; Listed to UL 2043 - suitable for use in air plenums per Section 300.22(c) of the NEC and Section 602.2 of the IMC |
|                        | Quality Standard                   | ISO 9001   |
|                        | Ambient temperature                | -22...122°F [-30...50°C]   |
|                        | Storage temperature                | -40...176°F [-40...80°C]   |
|                        | Ambient humidity                   | Max. 95% RH, non-condensing  |
|                        | Servicing                          | maintenance-free   |
|                        | <b>Materials</b>                   | Housing material   |

**Footnotes** † Use flexible metal conduit. Push the listed conduit fitting device over the actuator's cable to butt against the enclosure. Screw in conduit connector. Jacket the actuators input wiring with listed flexible conduit. Properly terminate the conduit in a suitable junction box. Rated impulse Voltage 800V. Type of action 1. Control pollution degree 3.

**Electrical installation**

**✂ INSTALLATION NOTES**

-  Actuators may also be powered by DC 24 V.
-  A 500 Ω resistor (ZG-R01) converts the 4...20 mA control signal to 2...10 V.
-  Actuators with plenum cable do not have numbers; use color codes instead.
-  Meets cULus requirements without the need of an electrical ground connection.

**⚠ Warning! Live electrical components!**

During installation, testing, servicing and troubleshooting of this product, it may be necessary to work with live electrical components. Have a qualified licensed electrician or other individual who has been properly trained in handling live electrical components perform these tasks. Failure to follow all electrical safety precautions when exposed to live electrical components could result in death or serious injury.

**Wiring diagrams**

VDC / 4 to 20 mA

