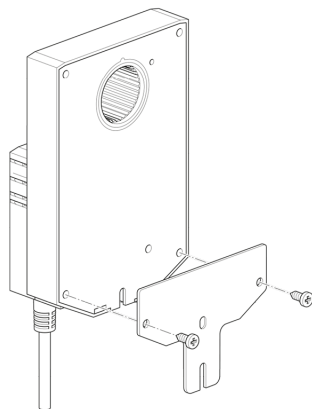


**Baseplate extension**

- for GM..A to GM..

**Technical data**

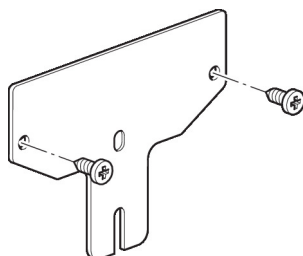
<b>Weight</b>	Weight	0.095 kg
---------------	--------	----------

**Safety notes**

- This accessory has been designed for use in stationary heating, ventilation and air-conditioning systems and must not be used outside the specified field of application, especially in aircraft or in any other airborne means of transport.
- Only authorised specialists may carry out installation. All applicable legal or institutional installation regulations must be complied with during installation.
- The accessory may not be disposed of as household refuse. All locally valid regulations and requirements must be observed.

**Product features**

<b>Used materials</b>	Galvanised steel
<b>Application</b>	Suitable for GK..A, GM..A



## Dimensions

