

CCV Valve Neck Extension Kit

Application

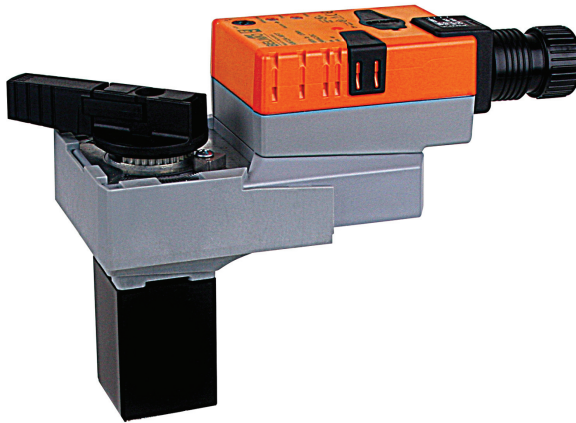
The CCV-EXT-M4 can be used with most CCV's* in order to achieve a large clearance over the pipe. The Extension Kit will provide an additional 2" of space between the top of the valve and the base of the actuator. bracket is made from aluminum and is not intended as a thermal block.

Technical Data	
Extension Height	2"
Total Weight	0.7 lb

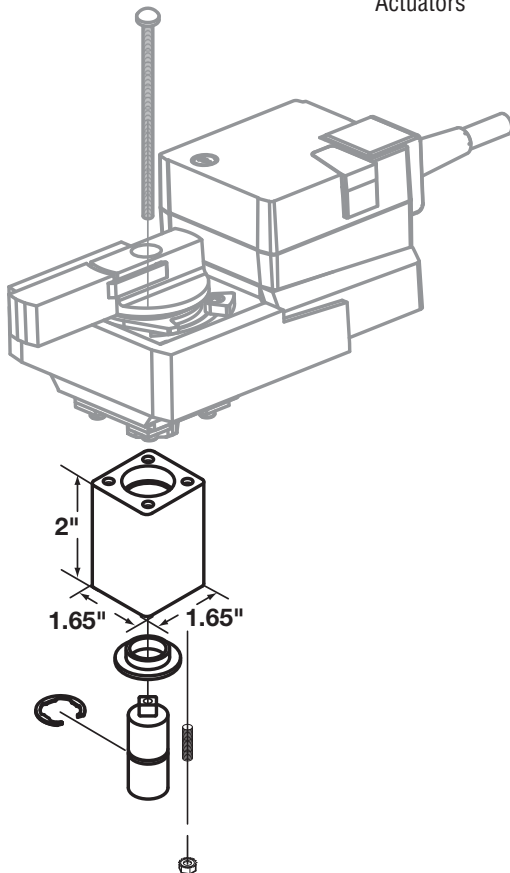
Material	
Extension Housing	Aluminum - Anodized
Shaft	Stainless Steel
Threaded Hardware and Pins	Stainless Steel
Bearing	Oilite® Bearing
Retaining Clip	Stainless Steel

* For use with B2 and B3 series only. Cannot be used with B6 series.

71404-0001 - 06/12



Available for Spring
and Non-Spring
Actuators



Subject to change. © Belimo Aircontrols (USA), Inc.