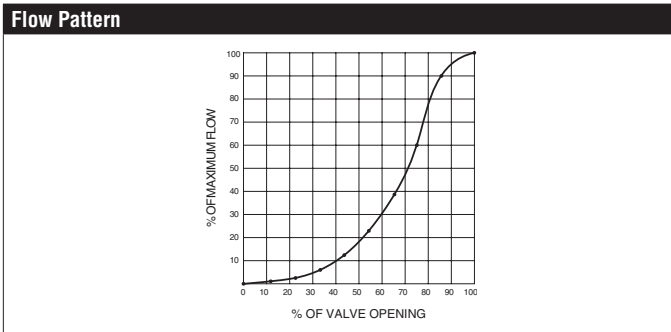


F6125HD, 5", 2-Way Butterfly Valve

Resilient Seat, 304 Stainless Steel Disc



Technical Data	
Service	chilled, hot water, up to 60% glycol
Flow Characteristic	modified equal percentage
Controllable Flow Range	90° rotation
Size [mm]	5" [125]
End Fitting	For use with ANSI Class 125/150 flanges
Body	ductile iron ASTM A536
Body Finish	epoxy powder coated
Stem Packing	EPDM (lubricated)
Seat	EPDM
Shaft	416 stainless steel
Bushings	RPTFE
Disc	304 stainless steel
Body Pressure Rating [psi]	ANSI 125, standard class B
Number of Bolt Holes	8
Lug Threads	3/4-10 UNC
Media Temperature Range (Water)	-22°F to 250°F [-30°C to 120°C]
Close-Off Pressure	200 psi
Rangeability	10:1 (for 30° to 70° range)
Maximum Velocity	12 FPS
Cv	1022
Weight	16.5 lb [7.5 kg]
Leakage	0%
Servicing	maintenance free



Application

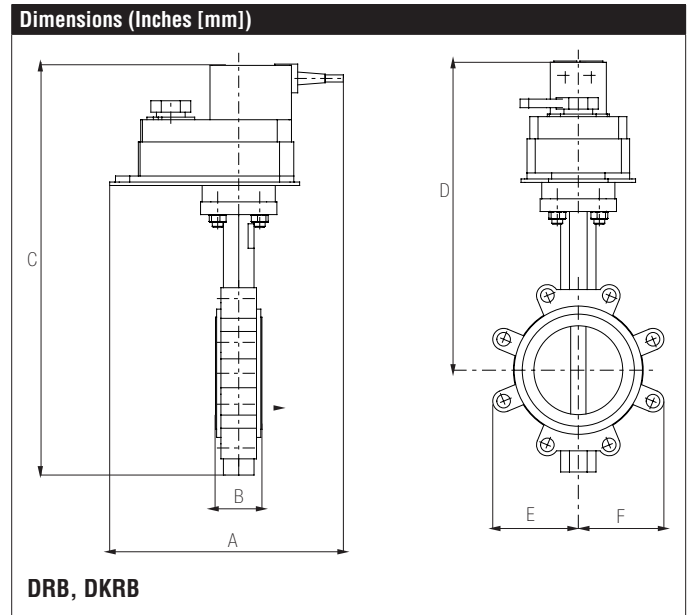
Valve is designed for use in ANSI flanged piping systems to meet the needs of bi-directional high flow HVAC hydronic applications with 0% leakage. Typical applications include cooling tower bypass, primary flow change-over systems, and large air handler coil control.

Jobsite Note

Valve assembly should be stored in a weather protected area prior to installation. Reference the butterfly valve installation instruction for additional information.

Flow/Cv								
Cv 10°	Cv 20°	Cv 30°	Cv 40°	Cv 50°	Cv 60°	Cv 70°	Cv 80°	Cv 90°
0.5	29	61	133	237	392	620	930	1022

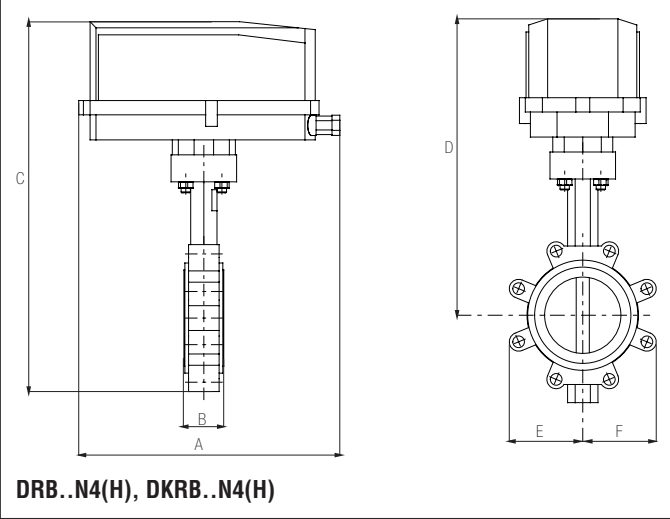
Suitable Actuators		
	Non-Spring	Electronic Fail-Safe
F6125HD	DRB(X), PRB(X)	PKRB(X)



A	B	C	D	E	F
8.5" [216]	2.21" [56.1]	18.75" [476]	14.66" [372.3]	4.48" [114]	

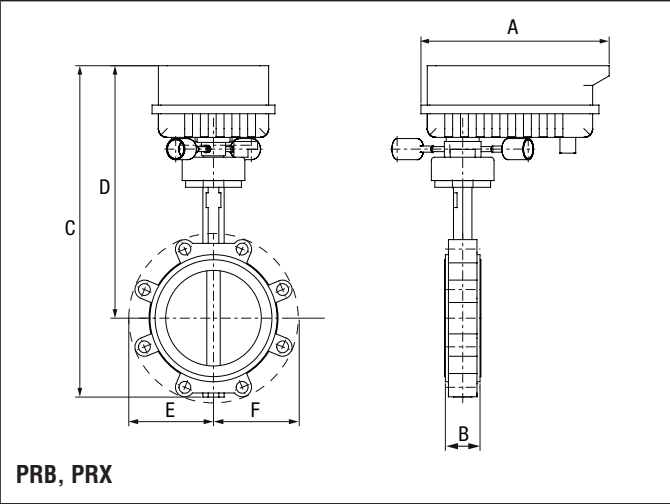
Date created, 03/16/2017 - Subject to change. © Belimo Aircontrols (USA), Inc.

Dimensions (Inches [mm])



A	B	C	D	E	F
14.1" [358]	2.21" [56.1]	20.6" [523.2]	16.20" [411]	4.48" [114]	

Dimensions (Inches [mm])

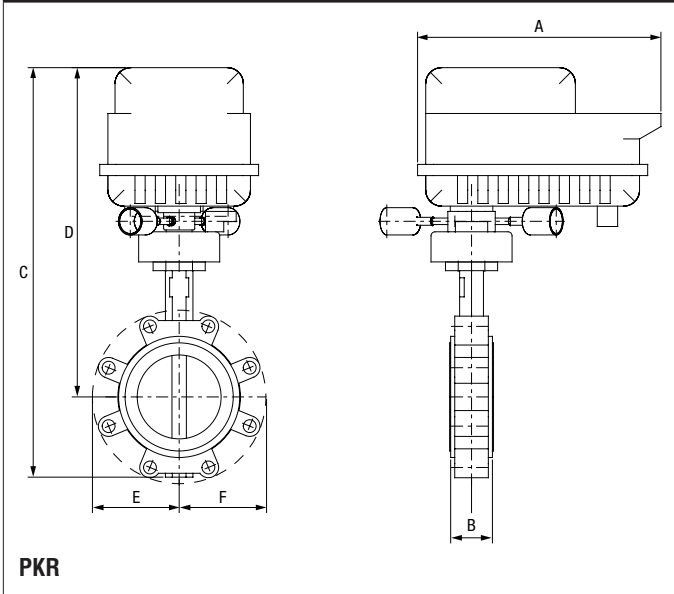


A	B	C	D	E	F
11.95" [303.5]	2.21" [56.1]	19.93" [506.2]	15.52" [394.2]	4.48" [114]	

F6125HD, 5", 2-Way Butterfly Valve

Resilient Seat, 304 Stainless Steel Disc

Dimensions (Inches [mm])



A	B	C	D	E	F
11.95" [303.5]	2.21" [56.1]	22.13" [562.1]	17.75" [451]	4.48" [114]	

Date created, 03/16/2017 - Subject to change. © Belimo Aircontrols (USA), Inc.