

# F6300L, 12", 2-Way Butterfly Valve

Resilient Seat, 304 Stainless Steel Disc

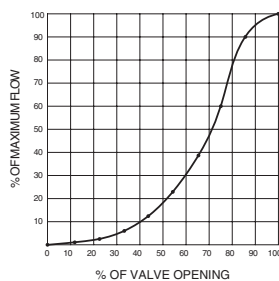


### Technical Data

Service	chilled, hot water, up to 60% glycol
Flow Characteristic	modified equal percentage
Controllable Flow Range	90° rotation
Size [mm]	12" [300]
End Fitting	for use with ansi class 125/150 flanges
Body	ductile iron ASTM A536
Body Finish	polyester powder coated
Seat	EPDM
Shaft	420 stainless steel
Bushings	steel, PTFE (typical)
Disc	304 stainless steel
Body Pressure Rating [psi]	232
Number of Bolt Holes	12
Lug Threads	7/8-9 UNC
Media Temperature Range (Water)	-22°F to 250°F [-30°C to 120°C]
Close-Off Pressure	200 psi
Rangeability	10:1
Maximum Velocity	12 FPS
Cv	8250
Leakage	0%
Servicing	maintenance free

When installing in Victaulic piping systems, use Victaulic 41 series flange nipples. 741 flanges not recommended without the use of adapter rings. L-Series Butterfly valves are designed to be installed between ANSI 125/150 flat-faced, raised face, slip-on or weld neck flanges. Do NOT use flange gaskets on L-Series Butterfly valves.

### Flow Pattern



### Application

Valve is designed for use in ANSI flanged piping systems to meet the needs of bi-directional high flow HVAC hydronic applications with 0% leakage. Typical applications include cooling tower bypass, primary flow change-over systems, and large air handler coil control.

### Jobsite Note

Valve assembly should be stored in a weather protected area prior to installation. Reference the butterfly valve installation instruction for additional information.

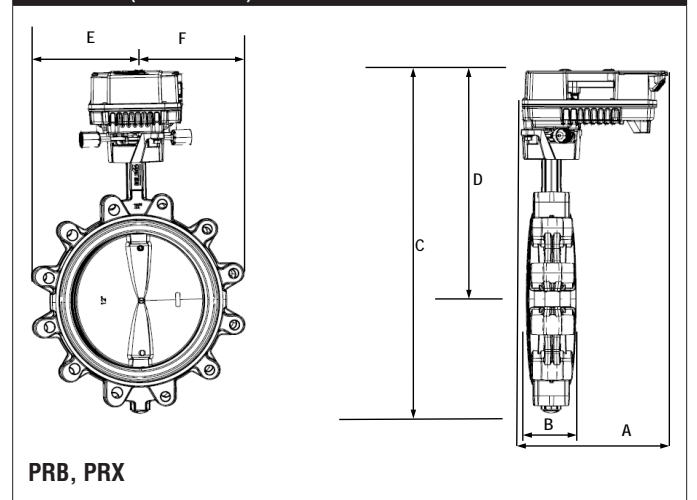
### Flow/Cv

Cv 10°	Cv 20°	Cv 30°	Cv 40°	Cv 50°	Cv 60°	Cv 70°	Cv 80°	Cv 90°
4	234	495	1072	1911	3162	5005	7507	8250

### Suitable Actuators

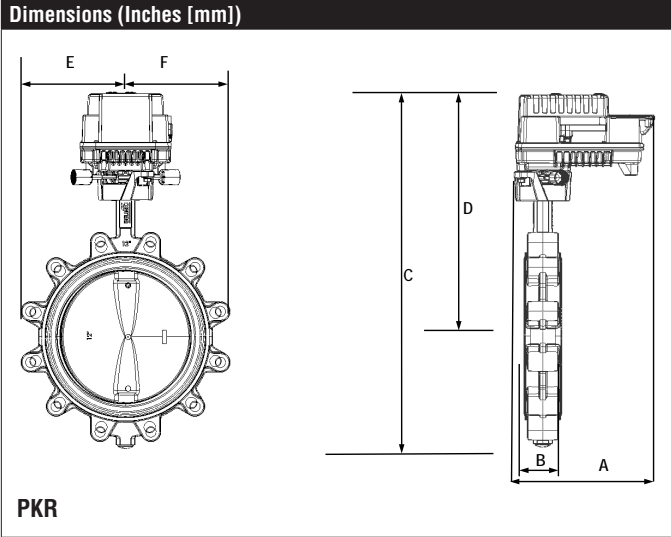
	Non-Spring	Electronic Fail-Safe
F6300L	PRB(X)	PKRB(X)

### Dimensions (Inches [mm])



A	B	C	D	E	F
12.2" [310]	3" [76.2]	29.15" [740]	23.4" [594]	9.26" [234]	

Date created, 09/21/2017 - Subject to change. © Belimo Aircontrols (USA), Inc.



A	B	C	D	E	F
12.2" [310]	3" [76.2]	30.94" [786]	25.13" [638.3]	9.26" [234]	