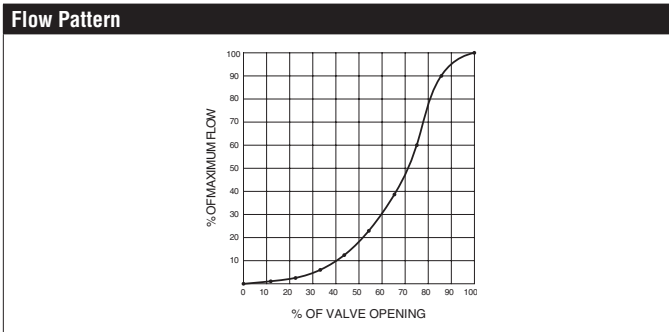


F6500HD, 20", 2-Way Butterfly Valve

Resilient Seat, 304 Stainless Steel Disc



Technical Data	
Service	chilled, hot water, up to 60% glycol
Flow Characteristic	modified equal percentage
Controllable Flow Range	90° rotation
Size [mm]	20" [500]
End Fitting	For use with ANSI Class 125/150 flanges
Body	ductile iron ASTM A536
Body Finish	epoxy powder coated
Stem Packing	EPDM (lubricated)
Seat	EPDM
Shaft	416 stainless steel
Bushings	RPTFE
Disc	304 stainless steel
Body Pressure Rating [psi]	ANSI 125, standard class B
Number of Bolt Holes	20
Lug Threads	1 1/8-7 UNC
Media Temperature Range (Water)	-22°F to 250°F [-30°C to 120°C]
Close-Off Pressure	200 psi
Rangeability	10:1 (for 30° to 70° range)
Maximum Velocity	12 FPS
Cv	27908
Weight	271.2 lb [123 kg]
Leakage	0%
Servicing	maintenance free



Application

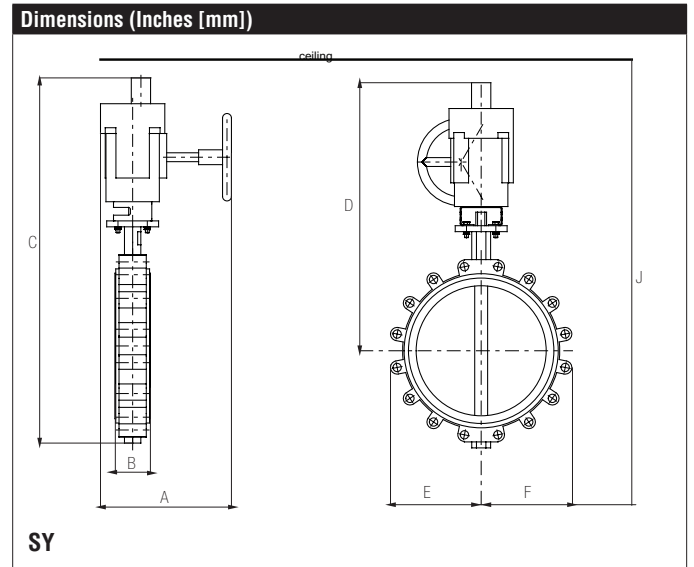
Valve is designed for use in ANSI flanged piping systems to meet the needs of bi-directional high flow HVAC hydronic applications with 0% leakage. Typical applications include cooling tower bypass, primary flow change-over systems, and large air handler coil control.

Jobsite Note

Valve assembly should be stored in a weather protected area prior to installation. Reference the butterfly valve installation instruction for additional information.

Flow/Cv								
Cv 10°	Cv 20°	Cv 30°	Cv 40°	Cv 50°	Cv 60°	Cv 70°	Cv 80°	Cv 90°
14	791	1674	3628	6465	10698	16931	25396	27908

Suitable Actuators	
F6500HD	Non-Spring SY8



A	B	C	D	E	F	J
17.75" [451]	5" [127]	50.57" [1284]	35" [889]	13.5" [343]		57.4" [1458]

Date created, 02/08/2017 - Subject to change. © Belimo Aircontrols (USA), Inc.