

# F765HD, 2.5", 3-Way Butterfly Valve

Resilient Seat, 304 Stainless Steel Disc



### Technical Data

Service	chilled, hot water, up to 60% glycol
Flow Characteristic	modified linear
Controllable Flow Range	90° rotation
Size [mm]	2.5" [65]
End Fitting	For use with ANSI Class 125/150 flanges
Body	ductile iron ASTM A536
Body Finish	epoxy powder coated
Seat	EPDM standard
Shaft	416 stainless steel
Bushings	RPTFE
Disc	304 stainless steel
Body Pressure Rating [psi]	200 psi at -20°F to +150°F
Number of Bolt Holes	4
Lug Threads	5/8-11 UNC
Media Temperature Range (Water)	-22°F to 250°F [-30°C to 120°C]
Close-Off Pressure	200 psi
Rangeability	10:1 (for 30° to 70° range)
Maximum Velocity	12 FPS
Cv	196
Weight	41.9 lb [19 kg]
Leakage	0%
Servicing	maintenance free

### Application

Valve is designed for use in ANSI flanged piping systems to meet the needs of bi-directional high flow HVAC hydronic applications with 0% leakage. Typical applications include cooling tower bypass, primary flow change-over systems, and large air handler coil control.

### Jobsite Note

Valve assembly should be stored in a weather protected area prior to installation. Reference the butterfly valve installation instruction for additional information.

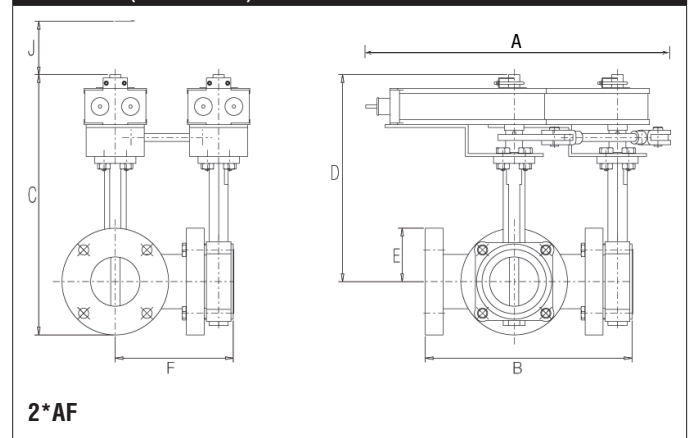
### Flow/Cv

Cv 10°	Cv 20°	Cv 30°	Cv 40°	Cv 50°	Cv 60°	Cv 70°	Cv 80°	Cv 90°
0.1	6	12	25	45	75	119	178	196

### Suitable Actuators

	Non-Spring	Spring	Electronic Fail-Safe
F765HD	GMB(X)	2*AFB(X)	GKB(X)

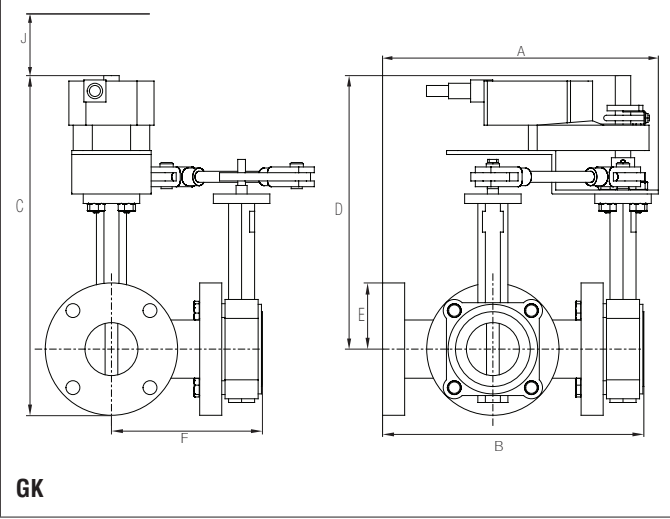
### Dimensions (Inches [mm])



A	B	C	D	E	F	J
17.9" [454]	11.75" [298]	13.47" [342]	10.47" [266]	3" [76]	6.8" [172]	3.9" [100]

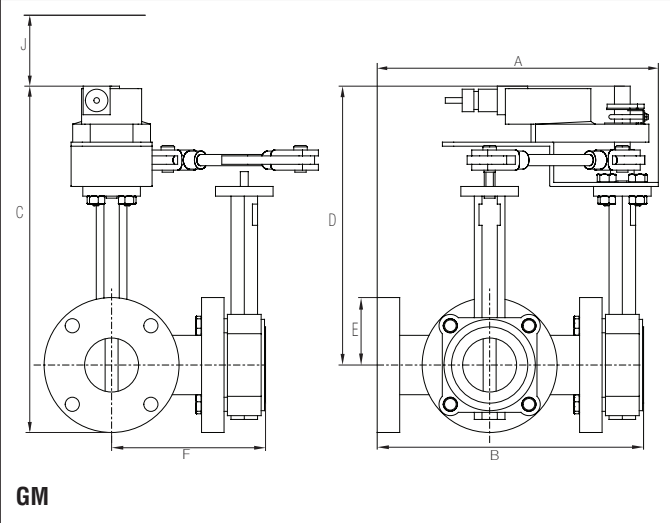
Date created, 02/08/2017 - Subject to change. © Belimo Aircontrols (USA), Inc.

**Dimensions (Inches [mm])**



A	B	C	D	E	F	J
12.46" [316]	11.75" [298]	13.1" [333]	10.07" [256]	3" [76]	6.8" [172]	3.9" [100]

**Dimensions (Inches [mm])**

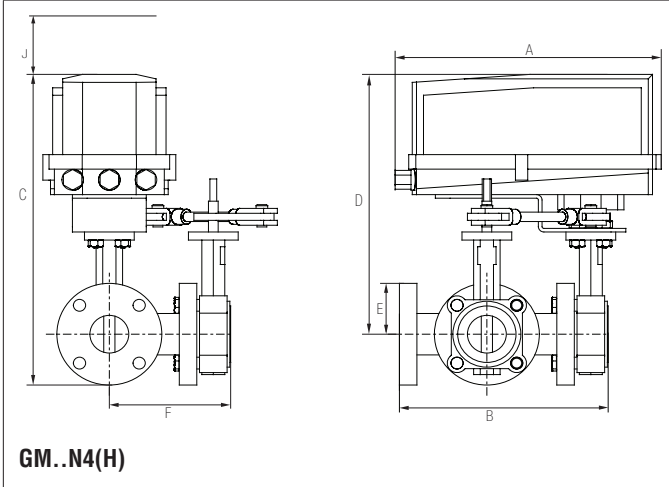


A	B	C	D	E	F	J
12.46" [316]	11.75" [298]	13.1" [333]	10.07" [256]	3" [76]	6.8" [172]	3.9" [100]

# F765HD, 2.5", 3-Way Butterfly Valve

Resilient Seat, 304 Stainless Steel Disc

## Dimensions (Inches [mm])



A	B	C	D	E	F	J
14.92" [379]	11.75" [298]	17.03" [433]	13.8" [342]	3" [76]	6.8" [172]	7.8" [198]