

F780HD, 3", 3-Way Butterfly Valve

Resilient Seat, 304 Stainless Steel Disc



Technical Data

Service	chilled, hot water, up to 60% glycol
Flow Characteristic	modified linear
Controllable Flow Range	90° rotation
Size [mm]	3" [80]
End Fitting	For use with ANSI Class 125/150 flanges
Body	ductile iron ASTM A536
Body Finish	epoxy powder coated
Seat	EPDM standard
Shaft	416 stainless steel
Bushings	RPTFE
Disc	304 stainless steel
Body Pressure Rating [psi]	200 psi at -20°F to +150°F
Number of Bolt Holes	4
Lug Threads	5/8-11 UNC
Media Temperature Range (Water)	-22°F to 250°F [-30°C to 120°C]
Close-Off Pressure	200 psi
Rangeability	10:1 (for 30° to 70° range)
Maximum Velocity	12 FPS
Cv	302
Weight	50.5 lb [22.9 kg]
Leakage	0%
Servicing	maintenance free

Application

Valve is designed for use in ANSI flanged piping systems to meet the needs of bi-directional high flow HVAC hydronic applications with 0% leakage. Typical applications include cooling tower bypass, primary flow change-over systems, and large air handler coil control.

Jobsite Note

Valve assembly should be stored in a weather protected area prior to installation. Reference the butterfly valve installation instruction for additional information.

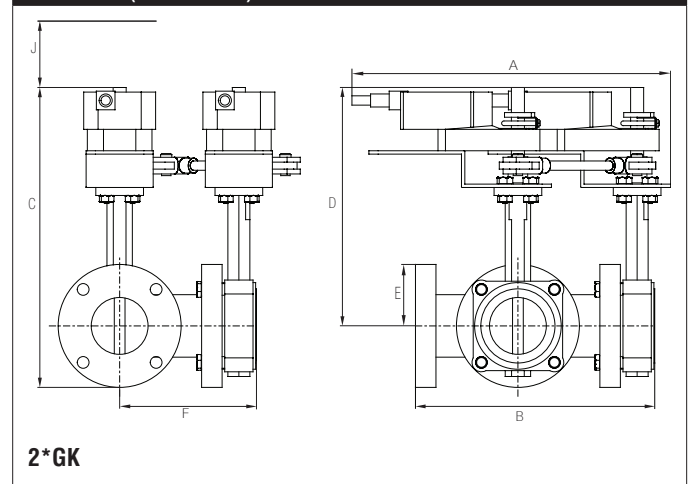
Flow/Cv

Cv 10°	Cv 20°	Cv 30°	Cv 40°	Cv 50°	Cv 60°	Cv 70°	Cv 80°	Cv 90°
0.2	9	18	39	70	116	183	275	302

Suitable Actuators

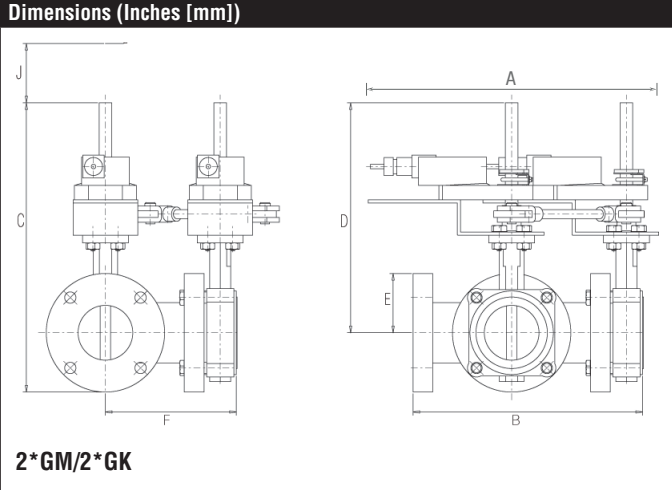
	Non-Spring	Electronic Fail-Safe
F780HD	2*GMB(X)	2*GKB(X)

Dimensions (Inches [mm])

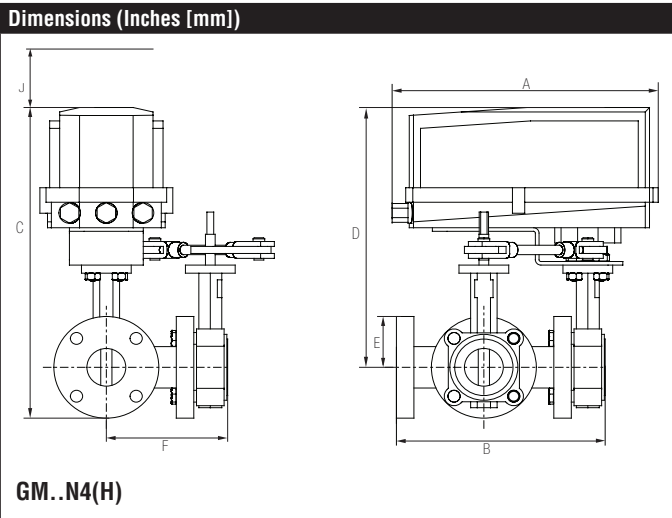


A	B	C	D	E	F	J
18.98" [482]	12.87" [326.9]	16.1" [375]	12.73" [323]	5.50" [140]	7.38" [187]	3.9" [100]

Date created, 02/08/2017 - Subject to change. © Belimo Aircontrols (USA), Inc.



A	B	C	D	E	F	J
18.98" [482]	12.87" [326.9]	16.1" [375]	12.73" [323]	5.50" [140]	7.38" [187]	3.9" [100]



A	B	C	D	E	F	J
18.98" [482]	12.87" [326.9]	20.6" [523.2]	17.25" [438]	3.34" [85]	7.38" [187]	7.8" [198]