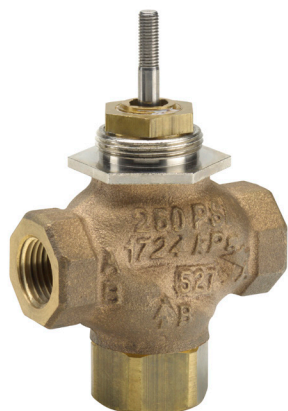
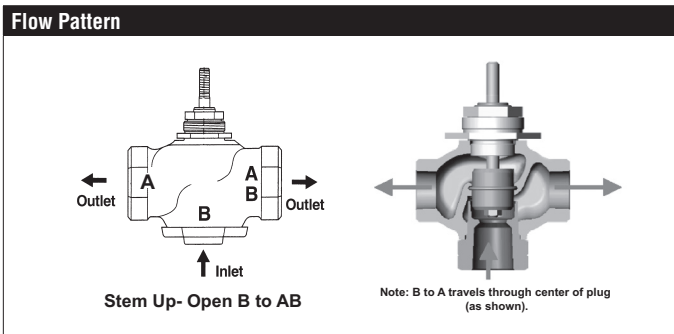


G320D, 3-Way, Globe Valve, Bronze Trim, Diverting



| Technical Data | |
|-----------------------------------|---------------------------------------|
| Service | chilled, hot water, up to 60% glycol |
| Flow Characteristic | linear |
| Controllable Flow Range | stem up - open B to AB |
| Size [mm] | 0.75" [20] |
| End Fitting | NPT female ends |
| Body | bronze |
| Stem | stainless steel |
| Stem Packing | spring loaded Teflon® V-ring |
| Seat | bronze |
| Plug | brass |
| Disc | composition (EPDM) |
| Body Pressure Rating [psi] | ANSI 250 |
| ANSI Class | ANSI 250 (up to 400 psi below 150°F) |
| Media Temperature Range (Water) | 20°F to 280°F [-7°C to 138°C] |
| Max Differential Pressure (Water) | 35 psi (241 kPa) |
| Rangeability | 500:1 |
| Cv | 7.5 |
| Weight | 2.2 lb [1 kg] |
| Leakage | ANSI Class III |
| Servicing | Repack/Rebuild kits available |



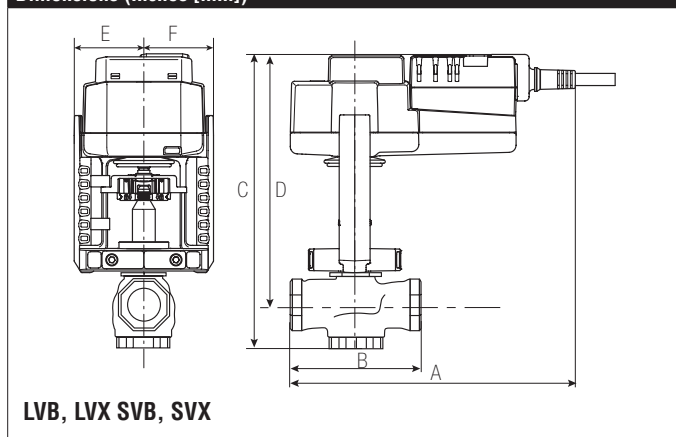
Application

This valve is typically used in Air handling units on heating or cooling coils, and fan coil unit heating or cooling coils. Some other common applications include Unit Ventilators, VAV box re-heat coils and bypass loops. This valve is suitable for use in hydronic system with constant or variable flow. 3-way valves are available with mixing or diverting flow patterns.

Suitable Actuators

| | Non-Spring | Spring | Electronic Fail-Safe |
|-------|------------|--------|----------------------|
| G320D | LVB(X) | LF | LVKB(X) |

Dimensions (Inches [mm])

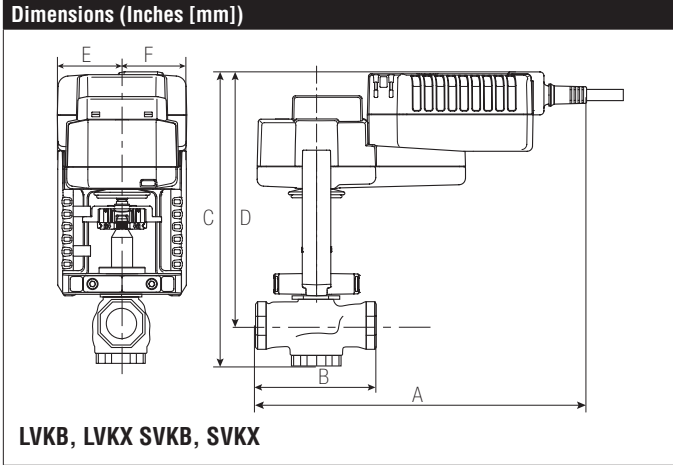


| A | B | C | D | E | F |
|------------|------------|-------------|-------------|------------|---|
| 7.8" [200] | 3.62" [92] | 9.45" [240] | 8.11" [206] | 1.95" [49] | |

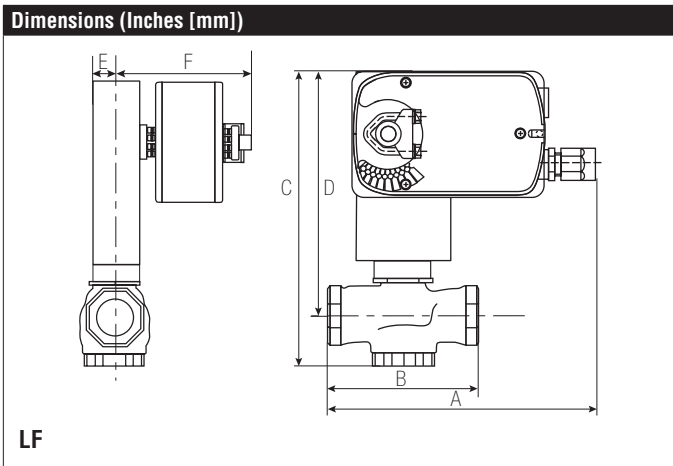
Piping

The valves should be mounted in a weather-protected area in a location that is within the ambient limits of the actuator. Allow sufficient room for valve with actuator and for service. The G2(S) and G3(D) preferred mounting position of the valve is with the valve stem vertical above the valve body, for maximum life. However, the assemblies can be mounted with the valve stem vertical or horizontal in relation to the pipe. The actuators should never be mounted underneath the valve, as condensation can build up and result in a failure of the actuators. Do not reverse flow direction.

G320D, 3-Way, Globe Valve, Bronze Trim, Diverting



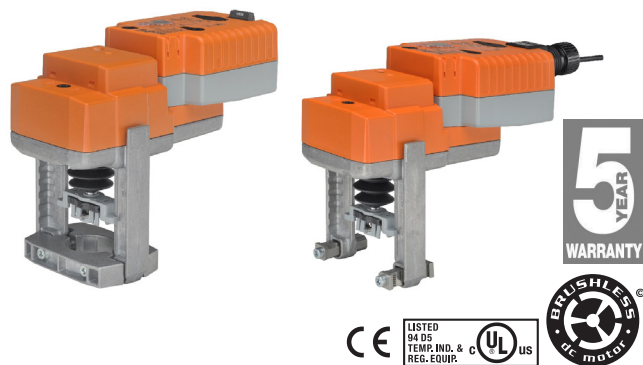
| A | B | C | D | E | F |
|----------|------------|-------------|-------------|------------|---|
| 9" [229] | 3.62" [92] | 10.3" [262] | 8.11" [206] | 1.95" [49] | |



| A | B | C | D | E | F |
|------------|------------|------------|------------|------------|----------|
| 8.3" [211] | 3.62" [92] | 9.4" [239] | 9.1" [231] | 1.25" [32] | 5" [127] |

LVKB24-3

On/Off, Floating Point, Electronic Fail-Safe, Linear, 24 V



| Technical Data | |
|-----------------------------------|--------------------------------------------------------------------------------------------|
| Power Supply | 24 VAC ± 20%, 50/60 Hz |
| Power Consumption Running | 2.5 W |
| Power Consumption Holding | 1.5 W |
| Transformer Sizing | 6 VA (class 2 power source) |
| Electrical Connection | 3 ft, 18 GA plenum rated cable with 1/2" conduit connector protected NEMA 2 (IP54) |
| Overload Protection | electronic throughout full stroke |
| Electrical Protection | actuators are double insulated |
| Operating Range Y | on/off, floating point |
| Input Impedance | 100 k Ω (0.1 mA), 500 Ω, 1000 Ω (on/off) |
| Feedback Output U | No Feedback |
| Stroke | 0.6" [15 mm] |
| Linear Force | 112 lbf [500 N force] |
| Direction of Rotation (Motor) | reversible with switch |
| Direction of Rotation (Fail-Safe) | reversible with switch |
| Position Indication | stroke indicator on bracket |
| Manual Override | 4 mm hex crank (shipped w/actuator) |
| Running Time (Motor) | 90 sec, constant independent of load |
| Running Time (Fail-Safe) | 35 sec |
| Bridge Time | 2 sec delay before fail-safe activates |
| Pre-charging Time | 5 to 20 seconds |
| Humidity | 5 to 95% RH non-condensing |
| Ambient Temperature Range | -22°F to 122°F [-30°C to 50°C] |
| Storage Temperature Range | -40°F to 176°F [-40°C to 80°C] |
| Housing | NEMA 2, IP54, UL enclosure type 2 |
| Housing Material | Aluminum die cast and plastic casing |
| Agency Listings† | cULus acc. to UL60730-1A/-2-14, CAN/CSA E60730-1:02, CE acc. to 2004/108/EC and 2006/95/EC |
| Noise Level (Motor) | <55 dB (A) |
| Noise Level (Fail-Safe) | <60 dB (A) |
| Servicing | maintenance free |
| Quality Standard | ISO 9001 |
| Weight | 3.5 lb [1.6 kg] |

† Use flexible metal conduit. Push the listed conduit fitting device over the actuator's cable to butt against the enclosure. Screw in conduit connector. Jacket the actuators input wiring with listed flexible conduit. Properly terminate the conduit in a suitable junction box. Rated impulse Voltage 800V. Type of action 1. Control pollution degree 3.

†Rated Impulse Voltage 800V, Type of action 1.AA, Control Pollution Degree 3

Date created, 11/03/2016 - Subject to change. © Belimo Aircontrols (USA), Inc.

Wiring Diagrams
INSTALLATION NOTES

- Meets cULus requirements without the need of an electrical ground connection.
- Provide overload protection and disconnect as required.
- Actuators may be connected in parallel. Power consumption and input impedance must be observed.
- Control signal may be pulsed from either the Hot (Source) or Common (Sink) 24 VAC line.
- Actuators may be connected in parallel if not mechanically linked. Power consumption and input impedance must be observed.
- Actuators with plenum cable do not have numbers; use color codes instead.
- WARNING! LIVE ELECTRICAL COMPONENTS!**
During installation, testing, servicing and troubleshooting of this product, it may be necessary to work with live electrical components. Have a qualified licensed electrician or other individual who has been properly trained in handling live electrical components perform these tasks. Failure to follow all electrical safety precautions when exposed to live electrical components could result in death or serious injury.

