

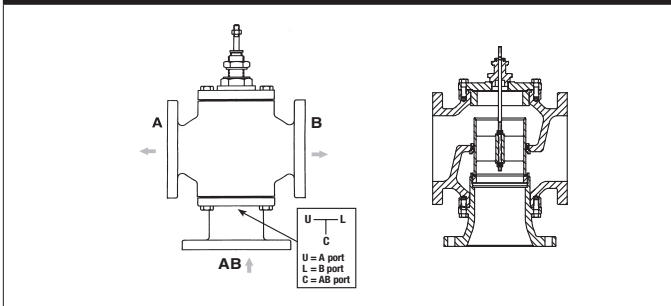
G780DS-250, 3-Way, Diverting ANSI 250, Flanged, Stainless Steel Trim



Technical Data

| | |
|-----------------------------------|---------------------------------------|
| Service | chilled, hot water, up to 60% glycol |
| Flow Characteristic | linear |
| Controllable Flow Range | stem up - open AB to B |
| Size [mm] | 3" [80] |
| End Fitting | 250 lb. flanged |
| Body | Cast Iron - ASTM A126 Class B |
| Stem | 316 stainless steel |
| Stem Packing | NLP EPDM (no lip packing) |
| Seat | 316 stainless steel |
| Plug | stainless steel |
| Body Pressure Rating [psi] | ANSI 250 |
| ANSI Class | ANSI 250 (up to 280 psi below 350°F) |
| Number of Bolt Holes | 8 |
| Max Inlet Pressure (Water) | 250 psi (1724 kPa) @ 350°F |
| Media Temperature Range (Water) | 32°F to 300°F [0°C to 149°C] |
| Max Differential Pressure (Water) | 50 psi (345 kPa) |
| Rangeability | 50:1 |
| Cv | 85 |
| Weight | 93.9 lb [42.6 kg] |
| Leakage | ANSI Class III |
| Servicing | Repack/Rebuild kits available |

Flow Pattern



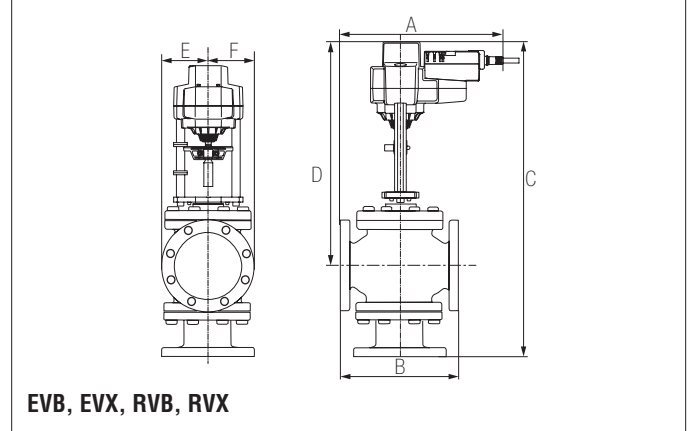
Application

This valve is typically used in large air handling units on heating or cooling coils. This valve is suitable for use in a hydronic system with variable flow. Valves are designed for ANSI 250 piping systems

Suitable Actuators

| | Non-Spring | Spring | Electronic Fail-Safe |
|------------|------------|--------|----------------------|
| G780DS-250 | EVB(X) | AFB(X) | AVKB(X) |

Dimensions (Inches [mm])

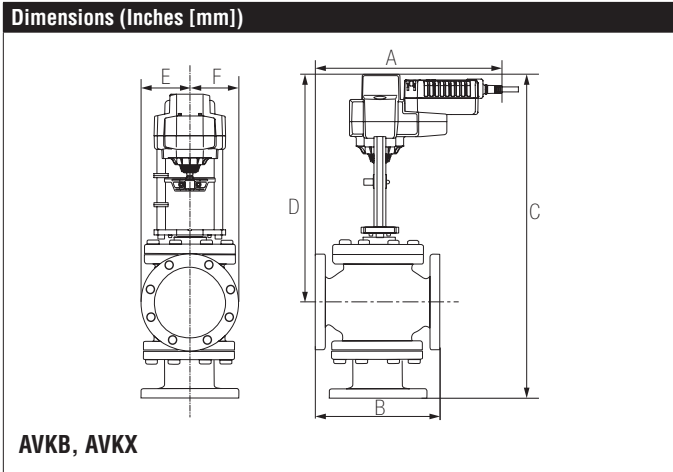


EVB, EVX, RVB, RVX

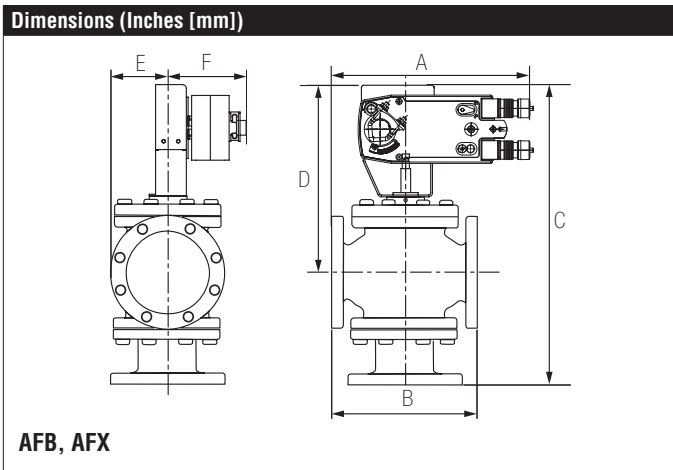
| A | B | C | D | E | F |
|-------------|--------------|--------------|-----------|-------------|---|
| 12.6" [320] | 10.75" [273] | 27.27" [693] | 19" [483] | 4.12" [105] | |

Piping

The valves should be mounted in a weather-protected area in a location that is within the ambient limits of the actuator. Allow sufficient room for valve with actuator and for service. The preferred mounting position of the valve is with the valve stem vertical above the valve body, for maximum life. However, the assemblies can be mounted with valve stem vertical above the valve or up to 45 degrees in relation to the horizontal pipe. The actuators should never be mounted underneath the valve, as condensation can build up and result in a failure of the actuators. Do not reverse flow direction.



| A | B | C | D | E | F |
|-------------|--------------|--------------|-----------|-------------|---|
| 12.6" [320] | 10.75" [273] | 27.27" [693] | 19" [483] | 4.12" [105] | |



| A | B | C | D | E | F |
|-------------|--------------|-------------|--------------|-------------|-------------|
| 12.6" [320] | 10.75" [273] | 25.6" [650] | 17.25" [438] | 4.12" [105] | 5.25" [135] |

AVKB120-3

On/Off, Floating Point, Electronic Fail-Safe, Linear, 120 V



| Technical Data | |
|-----------------------------------|--|
| Power Supply | 100-240 VAC \pm 20%, 50/60 Hz |
| Power Consumption Running | 3.5 W |
| Power Consumption Holding | 2 W |
| Transformer Sizing | 6.5 VA (class 2 power source) |
| Electrical Connection | 3 ft, 18 GA appliance rated cable with 1/2" conduit connector protected NEMA 2 (IP54) |
| Overload Protection | electronic throughout full stroke |
| Electrical Protection | actuators are double insulated |
| Operating Range Y | on/off, floating point |
| Input Impedance | 100 k Ω (0.1 mA), 500 Ω , 1000 Ω (on/off) |
| Feedback Output U | No Feedback |
| Stroke | 1.25" [32 mm] |
| Linear Force | 450 lbf [2000 N force] |
| Direction of Rotation (Motor) | reversible with switch |
| Direction of Rotation (Fail-Safe) | reversible with switch |
| Position Indication | stroke indicator on bracket |
| Manual Override | 5 mm hex crank (3/16" Allen), supplied |
| Running Time (Motor) | 90 sec, constant independent of load |
| Running Time (Fail-Safe) | 35 sec |
| Bridge Time | 2 sec delay before fail-safe activates |
| Pre-charging Time | 5 to 20 seconds |
| Humidity | 5 to 95% RH non-condensing |
| Ambient Temperature Range | -22°F to 122°F [-30°C to 50°C] |
| Storage Temperature Range | -40°F to 176°F [-40°C to 80°C] |
| Housing | NEMA 2, IP54, UL enclosure type 2 |
| Housing Material | Aluminum die cast and plastic casing |
| Agency Listings† | cULus acc. to UL60730-1A/-2-14, CAN/CSA E60730-1:02, CE acc. to 2004/108/EC and 2006/95/EC |
| Noise Level (Motor) | <60 dB (A) |
| Noise Level (Fail-Safe) | <60 dB (A) |
| Servicing | maintenance free |
| Quality Standard | ISO 9001 |
| Weight | 6.4 lb [2.9 kg] |

† Use flexible metal conduit. Push the listed conduit fitting device over the actuator's cable to butt against the enclosure. Screw in conduit connector. Jacket the actuators input wiring with listed flexible conduit. Properly terminate the conduit in a suitable junction box. Rated impulse Voltage 800V. Type of action 1. Control pollution degree 3.

Date created, 11/03/2016 - Subject to change. © Belimo Aircontrols (USA), Inc.

Wiring Diagrams
INSTALLATION NOTES

- Actuators with appliance cables are numbered.
- Actuators may be connected in parallel. Power consumption and input impedance must be observed.
- Meets cULus requirements without the need of an electrical ground connection.
- WARNING! LIVE ELECTRICAL COMPONENTS!**
During installation, testing, servicing and troubleshooting of this product, it may be necessary to work with live electrical components. Have a qualified licensed electrician or other individual who has been properly trained in handling live electrical components perform these tasks. Failure to follow all electrical safety precautions when exposed to live electrical components could result in death or serious injury.

