

P15000A-F GR

Feedback Potentiometer 15000Ω for AF/ NF/ LF



Technical Data

Electrical Connection	3ft [1m], 18 GA appliance cable with 1/2" conduit connector
Position Indication	reflective visual indicator (snap on)
Humidity	max. 95% RH non-condensing
Ambient Temperature Range	-22°F to 122°F [-30°C to 50°C]
Storage Temperature Range	-40°F to 176°F [-40°C to 80°C]
Housing	NEMA 2, IP54, UL enclosure type 2
Housing Material	UL94-5VA
Agency Listings†	cULus acc. to UL60730-1, CE according to 73/23/EEC
Servicing	maintenance free
Quality Standard	ISO 9001
Weight	0.7 lb [0.3 kg]
Output	1 W
Tolerance	± 5%
Linearity	± 2%
Resolution	Min. 1%
Residual Resistance	Max. 5% on both sides

Application

The P15000A-F GR feedback potentiometer is used with AF, NF and LF actuators to provide a resistive signal which varies with damper position. The P15000A-F GR are intended to be used with commercial modulating temperature controllers to provide feedback of the damper position, or with electronic meters to provide position indication. The signal can also be used as a positioner for parallel operation of multiple actuators.

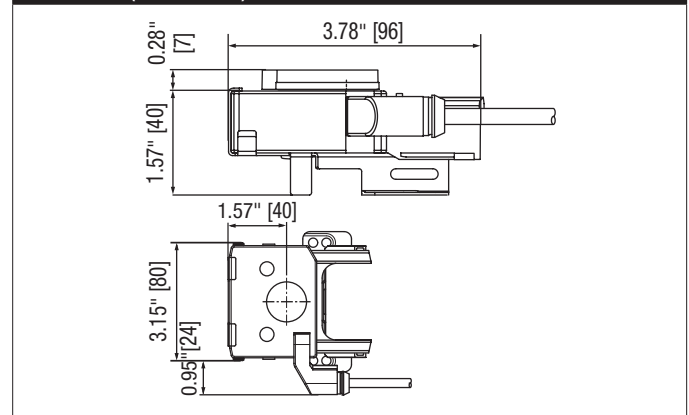
Operation

The P15000A-F GR feedback potentiometer is mounted onto a direct coupled actuator. The potentiometer with integrated mounting bracket can be attached to either an AF, NF or LF actuators by means of two bolts and a respective hollow axle coupler. When installing the P15000A-F GR, the actuator's clamp must be removed and reinstalled on the opposite side of the hollow axle (short shaft mounting method) to allow the coupler to attach properly. See accompanying instruction sheet for details.

Suitable Actuators

	Spring
P15000A-F GR	AFB(X), NFB(X), LF

Dimensions (Inches[mm])



Wiring Diagrams

