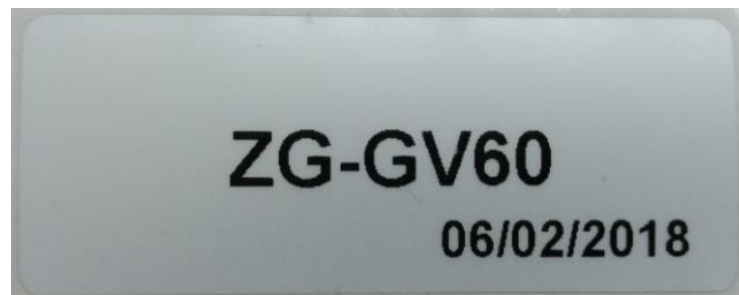


Repack kit complete





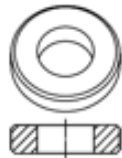



Label with naming and production date



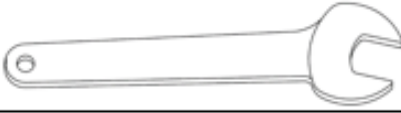

Bill of material and instruction sheet with the assembly process

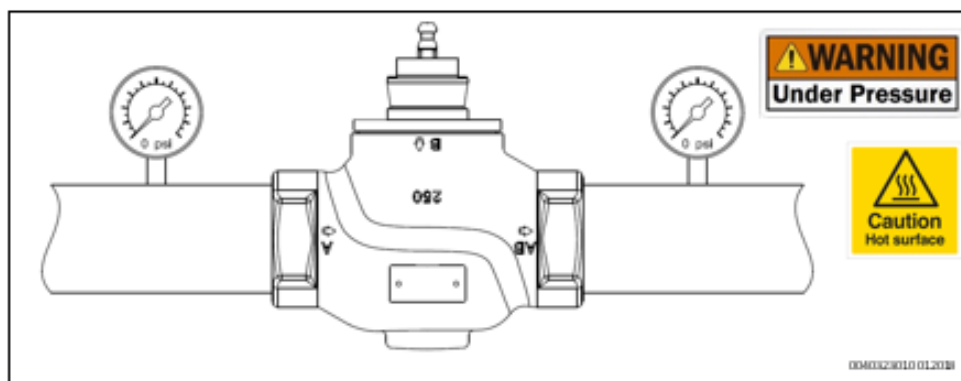


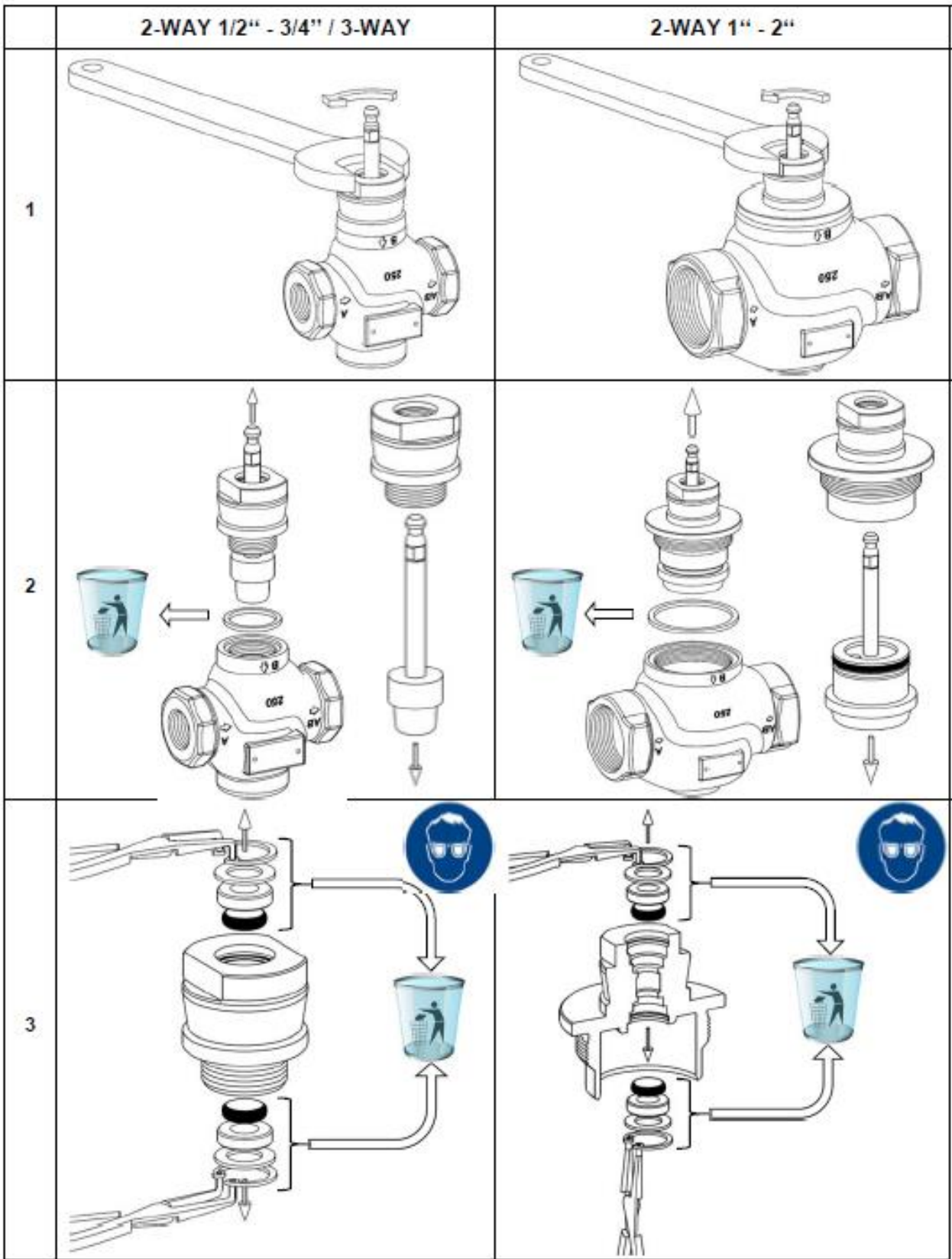
ZG-GV60 G2...B / G2...S / G3...B

Content	Size [inch]	Qty	Content	Size [inch]	Qty
	Ø 0.39 / 0.67 x 0.04	2x		Ø 0.67 x 0.04	2x
	Ø 0.31 / 0.61 x 0.16	2x		1/2" – 3/4"	Ø 0.94 / 1.14 x 0.08
				1"	Ø 1.42 / 1.65 x 0.08
				1 1/4"	Ø 1.57 / 1.85 x 0.08
				1 1/2"	Ø 2.05 / 2.36 x 0.08
				2"	Ø 2.52 / 2.83 x 0.10
	Ø 0.3 x 0.1	2x		Lubrication	1x

Needed Tools

	AF 1.06
	J1 (Ø = 0.05)





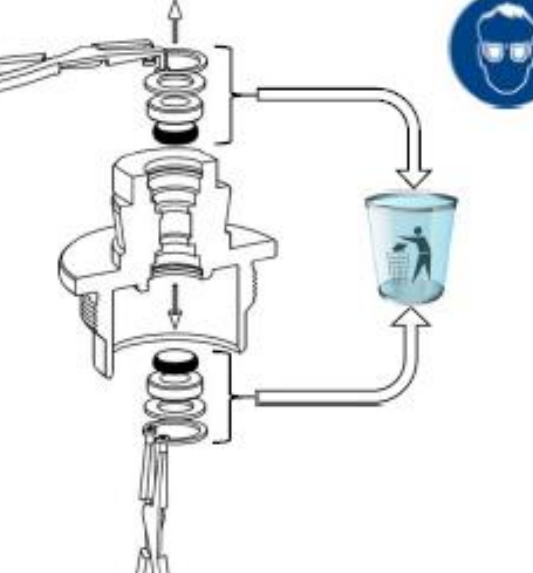
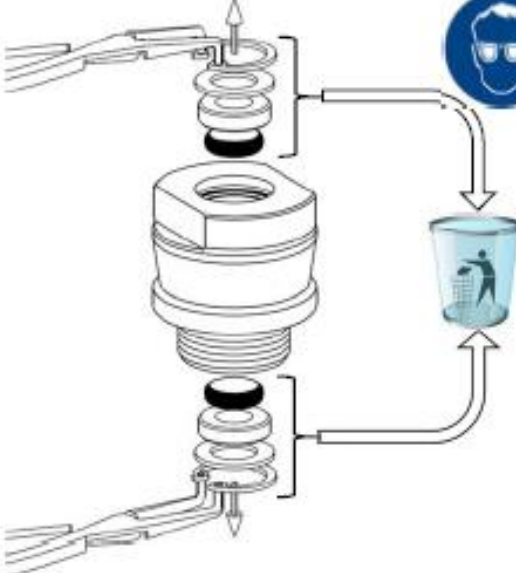
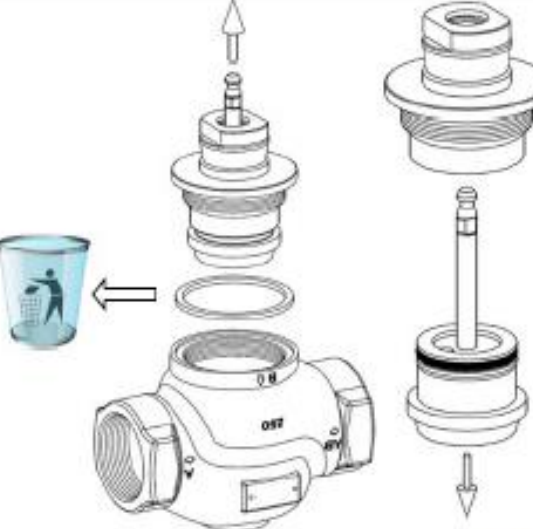
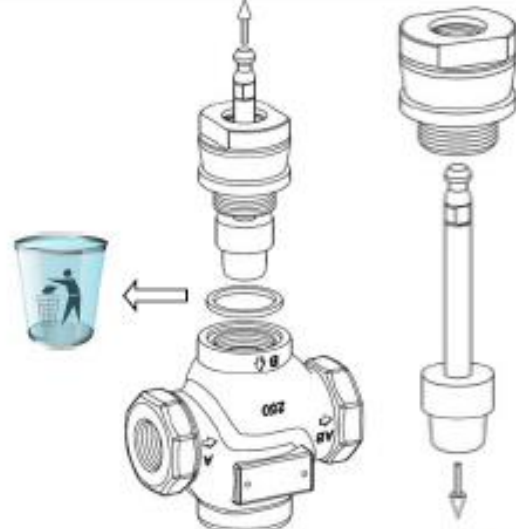
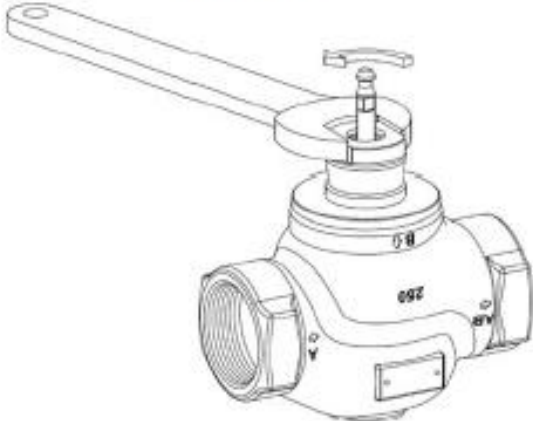
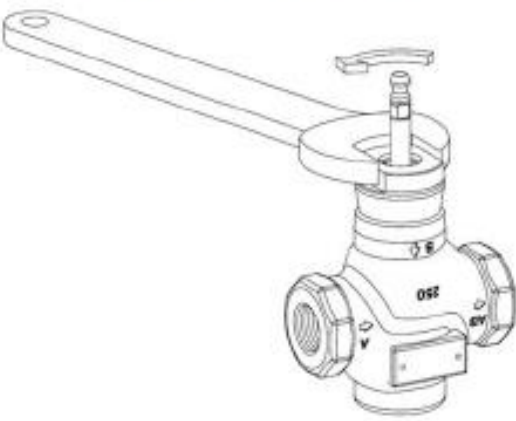
2-WAY 1/2" - 3/4" / 3-WAY

2-WAY 1" - 2"

1

2

3



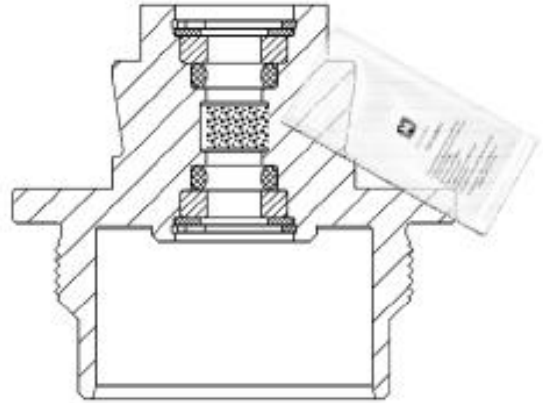
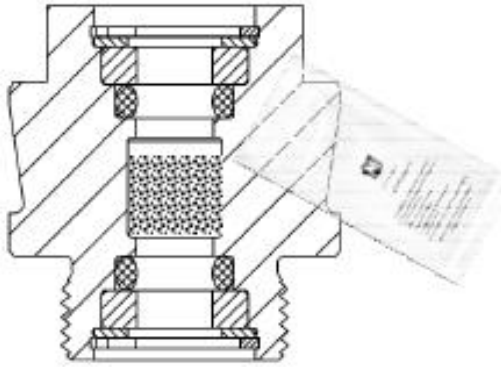
2-WAY 1/2" - 3/4" / 3-WAY

2-WAY 1" - 2"

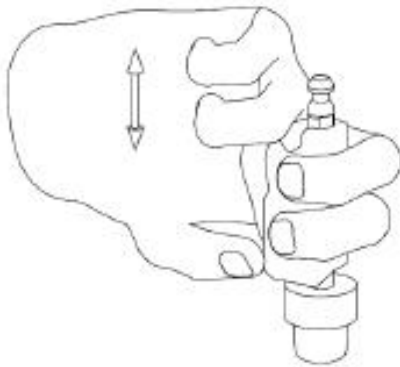
4



5



6



	2-WAY 1/2" - 3/4" / 3-WAY	2-WAY 1" - 2"												
7														
8														
	<table border="1"> <thead> <tr> <th></th> <th>M</th> </tr> </thead> <tbody> <tr> <td>1/2" - 3/4"</td> <td>26-29 lbft (35-40 Nm)</td> </tr> <tr> <td>1"</td> <td>55-66 lbft (75-90 Nm)</td> </tr> <tr> <td>1 1/4"</td> <td>70-81 lbft (95-110 Nm)</td> </tr> <tr> <td>1 1/2"</td> <td>118-140 lbft (160-190 Nm)</td> </tr> <tr> <td>2"</td> <td>177-206 lbft (240-280 Nm)</td> </tr> </tbody> </table>			M	1/2" - 3/4"	26-29 lbft (35-40 Nm)	1"	55-66 lbft (75-90 Nm)	1 1/4"	70-81 lbft (95-110 Nm)	1 1/2"	118-140 lbft (160-190 Nm)	2"	177-206 lbft (240-280 Nm)
	M													
1/2" - 3/4"	26-29 lbft (35-40 Nm)													
1"	55-66 lbft (75-90 Nm)													
1 1/4"	70-81 lbft (95-110 Nm)													
1 1/2"	118-140 lbft (160-190 Nm)													
2"	177-206 lbft (240-280 Nm)													