

5-year warranty

Type Overview

Type	Output signal	Probe length	Probe diameter
01CT-5LLF1-4	NTC10k (10k2)	4" [100 mm]	0.24" [6 mm]
01CT-5LPF1-4	NTC10k (10k2)	8" [200 mm]	0.24" [6 mm]
01CT-5MLF1-4	NTC10k3 (Precon)	4" [100 mm]	0.24" [6 mm]
01CT-5MPF1-4	NTC10k3 (Precon)	8" [200 mm]	0.24" [6 mm]
01CT-5QLF1-4	NTC20k	4" [100 mm]	0.24" [6 mm]
01CT-5QPF1-4	NTC20k	8" [200 mm]	0.24" [6 mm]

Technical data

Electrical Data	Electrical connection	cable 9.8 ft [3 m], 2-wire
	Cable specification	1 pair shielded plenum cable, 22AWG tinned copper, green jacket, -40...300°F [-40...150°C], 300 V
Functional Data	Application	air
	Output signal passive temperature	NTC10k (10k2) NTC10k3 (Precon) NTC20k
	Measuring Data	
Measured values	Temperature	
Measuring range temperature	-13...167°F [-25...75°C]	
Accuracy temperature passive	NTC.. : ±0.35°F @ 77°F [±0.2°C @ 25°C]	
Measuring current	NTC10k2: <2 mA @ 77°F [25°C] NTC10k3: <2.7 mA @ 77°F [25°C] NTC20k: <0.5 mA @ 77°F [25°C]	
Time constant τ (63%) in air duct	Typical 155 s @ 0 m/s Typical 35 s @ 3 m/s	
Time constant τ (63%) in water pipe	With thermowell A-22P-A.. and thermal contact fluid Typical 7 s with thermowell brass Typical 9 s with thermowell stainless steel	
Safety Data	Ambient humidity	Max. 95% RH, non-condensing
	Ambient temperature	-13...167°F [-25...75°C]
	Fluid temperature	-13...167°F [-25...75°C]
	Protection class IEC/EN	III, Protective Extra-Low Voltage (PELV)
	Power source UL	Class 2 Supply
	Certification IEC/EN	IEC/EN 60730-1
	Certification UL	cULus acc. to UL60730-1A/-2-9, CAN/CSA E60730-1/-2-9
	Degree of protection IEC/EN	IP67

Safety Data	Degree of protection NEMA/UL	NEMA 4X
	Quality Standard	ISO 9001
	Mode of operation	Type 1
	Pollution degree	3
	Rated impulse voltage supply	0.8 kV
	Construction	Independently mounted control
	Method of mounting control	Surface mounted

Safety Notes


This device has been designed for use in stationary heating, ventilation and air-conditioning systems and must not be used outside the specified field of application. Unauthorized modifications are prohibited. The product must not be used in relation with any equipment that in case of a failure may threaten humans, animals or assets.

Ensure all power is disconnected before installing. Do not connect to live/operating equipment.

Only authorized specialists may carry out installation. All applicable legal or institutional installation regulations must be complied during installation.

The device contains electrical and electronic components and must not be disposed of as household refuse. All locally valid regulations and requirements must be observed.

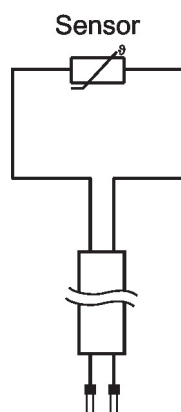
Remarks

General Remarks Concerning Sensors Due to self-heating with 2 wire passive sensors, the supply wire current affects the measurement accuracy. So the supply current should not be higher than the measuring current values specified in this data sheet.

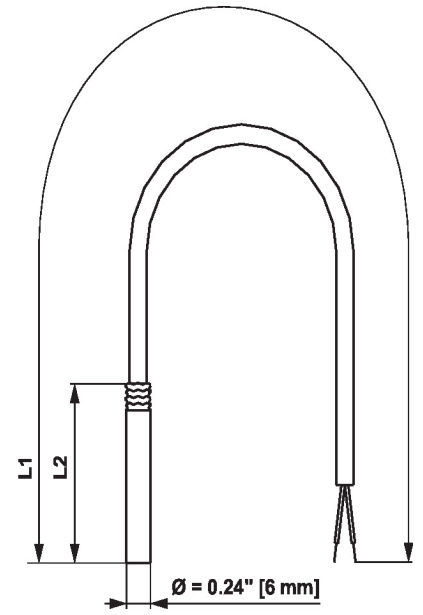
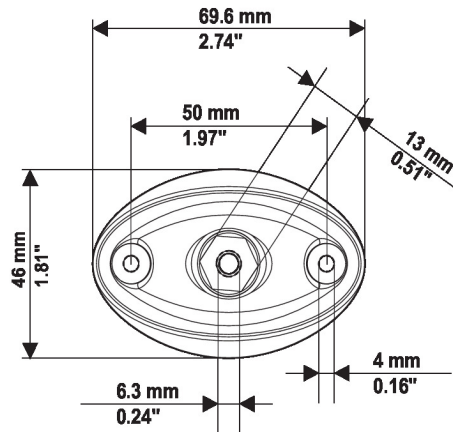
When using lengthy connecting cables (depending on the cross section used), the cable resistance must be taken into account. The lower the impedance of the sensor used, the greater the effect of the line resistance on the measurement, because it generates an offset.

Scope of delivery

Scope of delivery	Description	Type
	Mounting flange for sensor probe 6 mm, up to max. 120°C [248°F], Plastic	A-22D-A03

Wiring Diagram


Dimensions



L1 = 9.84 ft [3 m]

L2 = 3.94" [100 mm] / 7.87" [200 mm]

Type	Probe length	Weight
01CT-5LLF1-4	4" [100 mm]	0.15 lb [0.070 kg]
01CT-5LPF1-4	8" [200 mm]	0.18 lb [0.080 kg]
01CT-5MLF1-4	4" [100 mm]	0.15 lb [0.070 kg]
01CT-5MPF1-4	8" [200 mm]	0.18 lb [0.080 kg]
01CT-5QLF1-4	4" [100 mm]	0.15 lb [0.070 kg]
01CT-5QPF1-4	8" [200 mm]	0.18 lb [0.080 kg]