

Outdoor sensor with weather and radiated heat shield Humidity / Temperature

Active humidity and temperature sensor (0...10 V) for outside applications. The radiation shield protects the outside sensors from rain and radiated heat. With the curved shape and color of the plates air flow is able to move across the sensors to keep radiated temperatures from rooftops and surrounding surfaces from affecting humidity readings.



5-year warranty



Type Overview

Type	Output signal active temperature	Output signal active humidity
22UTH-510X	0...5 V, 0...10 V	0...5 V, 0...10 V

Technical data

<b>Electrical Data</b>	Nominal voltage	AC/DC 24 V			
	Nominal voltage range	AC 21.6...26.4 V / DC 13.5...26.4 V			
	Power consumption AC	0.8 VA			
	Power consumption DC	0.4 W			
	Electrical connection	Pluggable spring loaded terminal block max. 2.5 mm <sup>2</sup>			
	Cable entry	Cable gland with strain relief Ø6...8 mm (1/2" NPT conduit adapter included)			
<b>Functional Data</b>	Sensor Technology	polymer capacitive sensor with stainless steel wire mesh			
	Application	air			
	Multirange	4 measuring ranges selectable			
	Voltage output	1x 0...5 V, 0...10 V, min. load 10 kΩ			
	Output signal active note	output 0...5/10 V with jumper adjustable			
<b>Measuring Data</b>	Measured values	relative humidity Absolute humidity Dew point Enthalpies Temperature			
	Measuring range humidity	0...100% RH non-condensing			
	Measuring range temperature	Active sensor: range selectable Attention: max. measuring temperature is restricted by max. fluid temperature (see Safety data)			
		Setting	Range [°C]	Range [°F]	Factory setting
		S0	-40...60	-40...160	
		S1	0...50	40...140	
		S2	-15...35	0...100	
		S3	-20...80	0...200	✓
	Measuring range absolute humidity	adjustable at the transducer: 0...50 g/m <sup>3</sup> (default setting) 0...80 g/m <sup>3</sup>			
	Measuring range enthalpy	0...85 kJ/kg			
Measuring range dew point	adjustable at the transducer: 40...140°F [0...50°C] (default setting) 0...200°F [-20...80°C]				

<b>Measuring Data</b>	Accuracy humidity	±2% between 0...80% RH @ 25°C
	Accuracy temperature active	±0.3°C @ 25°C [±0.54°F @ 77°F]
	Long-term stability	±0.3% RH p.a. @ 70°F [21°C] @ 50% RH ±0.09°F p.a. @ 70°F [±0.05°C p.a. @ 21°C]
	Time constant $\tau$ (63%) in the room	Relative humidity: typical 16 s Temperature: typical 351 s
<b>Materials</b>	Cable gland	PA6, black
	Housing	Cover: PC, grey Bottom: PC, grey Seal: NBR70, black UV resistant
<b>Safety Data</b>	Ambient humidity	short-term condensation permitted
	Fluid humidity	short-term condensation permitted
	Ambient temperature	-30...120°F [-35...50°C]
	Fluid temperature	-30...120°F [-35...50°C]
	Operating condition air flow	max. 40 ft/s [12 m/s]
	Protection class IEC/EN	III, Safety Extra-Low Voltage (SELV)
	Power source UL	Class 2 Supply
	EU Conformity	CE Marking
	Certification IEC/EN	IEC/EN 60730-1
	Certification UL	cULus acc. to UL60730-1A/-2-9/-2-13, CAN/CSA E60730-1/-2-9
	Degree of protection IEC/EN	IP65
	Degree of protection NEMA/UL	NEMA 4X
	Enclosure	UL Enclosure Type 4X
	Quality Standard	ISO 9001
	Mode of operation	Type 1
	Pollution degree	3
Rated impulse voltage supply	0.8 kV	
Construction	Independently mounted control	

### Safety Notes



This device has been designed for use in stationary heating, ventilation and air-conditioning systems and must not be used outside the specified field of application. Unauthorized modifications are prohibited. The product must not be used in relation with any equipment that in case of a failure may threaten humans, animals or assets.

Ensure all power is disconnected before installing. Do not connect to live/operating equipment.

Only authorized specialists may carry out installation. All applicable legal or institutional installation regulations must be complied during installation.

The device contains electrical and electronic components and must not be disposed of as household refuse. All locally valid regulations and requirements must be observed.

### Remarks

- General Remarks Concerning Sensors** When using lengthy connection wires (depending on the cross section used) the measuring result might be falsified due to a voltage drop at the common GND-wire (caused by the voltage current and the line resistance). In this case, 2 GND-wires must be wired to the sensor - one for supply voltage and one for the measuring current.
- Sensing devices with a transducer should always be operated in the middle of the measuring range to avoid deviations at the measuring end points. The ambient temperature of transducer electronics should be kept constant. The transducers must be operated at a constant supply voltage (±0.2 V). When switching the supply voltage on/off, onsite power surges must be avoided.

**Build-up of self-heating by electrical dissipative power**

Temperature sensors with electronic components always have a dissipative power which affects the temperature measurement of the ambient air. The dissipation in active temperature sensors shows a linear increase with rising operating voltage. The dissipative power should be taken into account when measuring temperature. In case of a fixed operating voltage ( $\pm 0.2$  V) this is normally done by adding or reducing a constant offset value. As Belimo transducers work with a variable operating voltage, only one operating voltage can be taken into consideration, for reasons of production engineering. Transducers 0...10 V / 4...20 mA have a standard setting at an operating voltage of DC 24 V. That means, that at this voltage, the expected measuring error of the output signal will be the least. For other operating voltages, the offset error will be increased by a changing power loss of the sensor electronics.

If a readjustment directly at the active sensor should be necessary during later operation, this can be done with the following adjustment methods.

- For sensors with NFC or dongle by the corresponding Belimo app
- For sensors with a trimming potentiometer on the sensor board
- For bus sensors via bus interface with a corresponding software variable

**Application notice for humidity sensors**

Refrain from touching the sensitive humidity sensor element. Touching the sensitive surface will void warranty.

When exposed to harsh environmental conditions such as high ambient temperature and/or high levels of humidity, or presence of aggressive gases (i.e. chlorine, ozone, ammonia), the sensor element may be affected and readings may be outside the specified accuracy. Replacement of deteriorated humidity sensors due to harsh environmental conditions is not covered by the general warranty.

The sensor shows best performance when operated within recommended normal temperature range of 5...60°C and humidity range of 20...80% RH. Long-term exposure to conditions outside normal range, especially at high humidity, may temporarily offset the humidity signal (e.g. +3% RH after 60h kept at >80% RH). After returning into the normal temperature and humidity range, the sensor will slowly come back to calibration state by itself.

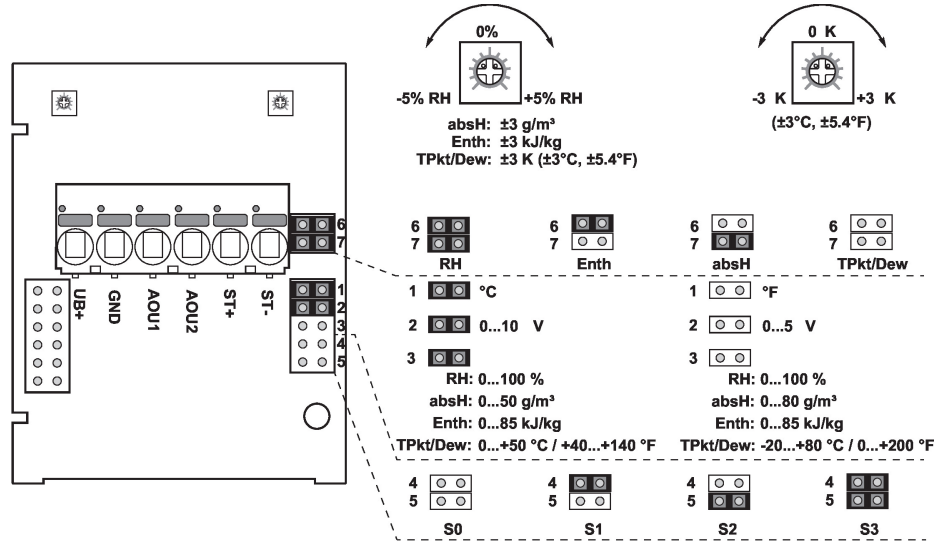
**Scope of delivery**

- Dowel
- Screws
- 1/2" NPT conduit adapter

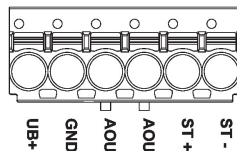
**Accessories**

Optional accessories	Description	Type
	Replacement filter, wire mesh, Stainless steel	A-22D-A06

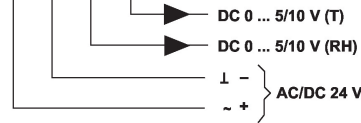
Wiring Diagram



2 x 0...5/10 V



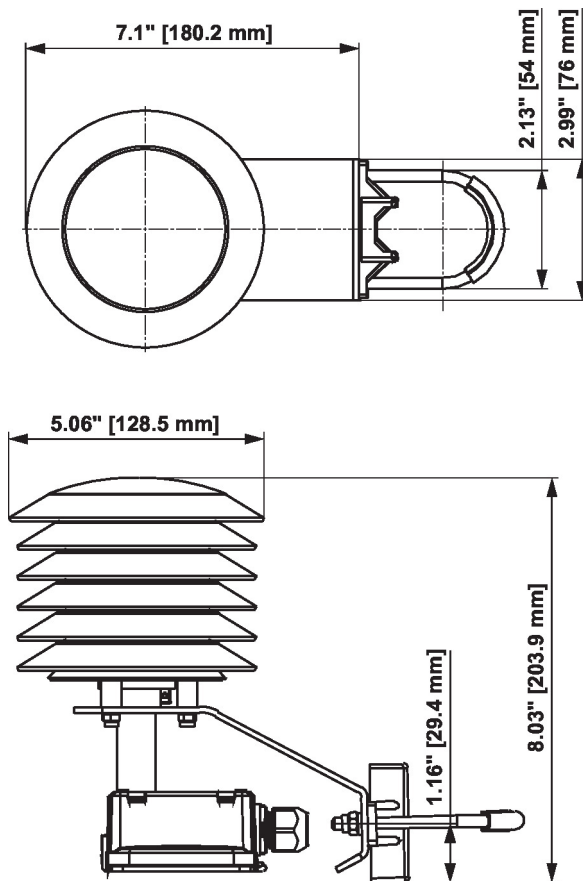
rH Relative humidity  
 absH Absolute humidity  
 Enth Enthalpy  
 TPkt/Dew Dew point  
 (Measurement value available on Output AOU1)



Connectors ST+ / ST- are only used for sensor types which additionally have a passive resistance sensor element for temperature measurement.  
 The adjustment of the measuring ranges is made by changing the bonding jumpers.  
 The output value in the new measuring range is available after 2 seconds.

Setting	Range [°C]	Range [°F]	Factory setting
S0	-40...60	-40...160	
S1	0...50	40...140	
S2	-15...35	0...100	
S3	-20...80	0...200	✓

Dimensions



Type

22UTH-510X

Weight

1.19 lb [0.54 kg]