



5-year warranty



Type overview

|             |           |
|-------------|-----------|
| <b>Type</b> | <b>DN</b> |
| B240        | 40        |

Technical data

|                           |                          |  |
|---------------------------|--------------------------|--|
| <b>Functional data</b>    | Valve size               | 1.5" [40]  |
|                           | Fluid                    | chilled or hot water, up to 60% glycol                 |
|                           | Fluid Temp Range (water) | 0...250°F [-18...120°C]                                |
|                           | Body Pressure Rating     | 400 psi  |
|                           | Close-off pressure Δps   | 200 psi  |
|                           | Flow characteristic      | equal percentage                                       |
|                           | Servicing                | maintenance-free                                       |
|                           | Flow Pattern             | 2-way  |
|                           | Leakage rate             | 0% for A – AB  |
|                           | Controllable flow range  | 75°  |
|                           | Cv                       | 37   |
|                           | No Characterized Disc    | TRUE   |
|                           | Cv Flow Rating           | A-port: as stated in chart B-port: 70% of A – AB<br>Cv |
|                           | <b>Materials</b>         | Valve body   |
| Stem                      |                          | stainless steel  |
| Stem seal                 |                          | EPDM (lubricated)                                      |
| Seat                      |                          | PTFE   |
| Characterized disc        |                          | No Disc (full flow)                                    |
| Pipe connection           |                          | NPT female ends  |
| O-ring                    |                          | EPDM (lubricated)                                      |
| Ball                      |                          | stainless steel  |
| <b>Suitable actuators</b> | Non-Spring               | ARB(X)<br>NRQB(X)                                      |
|                           | Spring                   | AFRB(X)  |

Safety notes

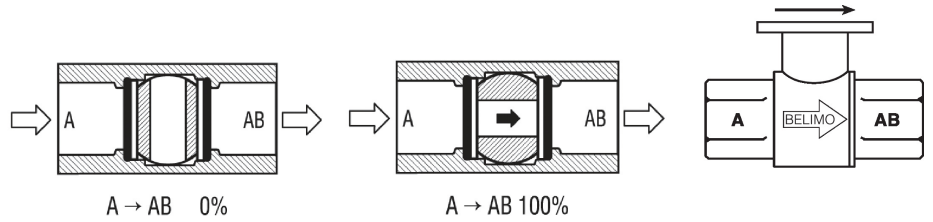


- WARNING: This product can expose you to lead which is known to the State of California to cause cancer and reproductive harm. For more information go to [www.p65warnings.ca.gov](http://www.p65warnings.ca.gov)

**Product features**

**Application** This valve is typically used in air handling units on heating or cooling coils, and fan coil unit heating or cooling coils. Some other common applications include Unit Ventilators, VAV box re-heat coils and bypass loops. This valve is suitable for use in a hydronic system with variable flow.

**Flow/Mounting details**



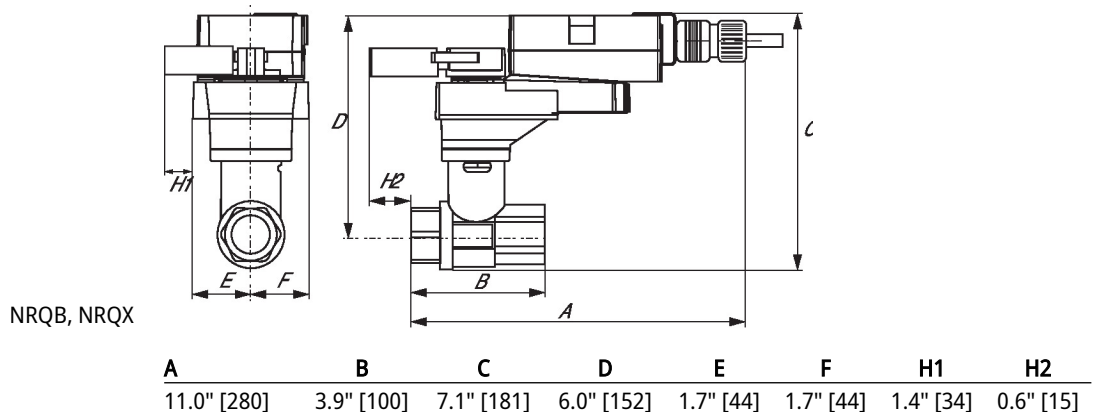
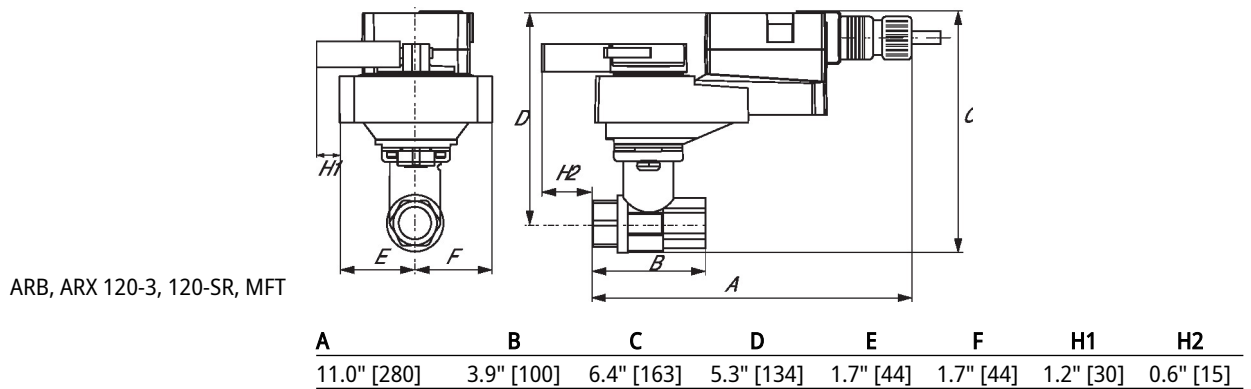
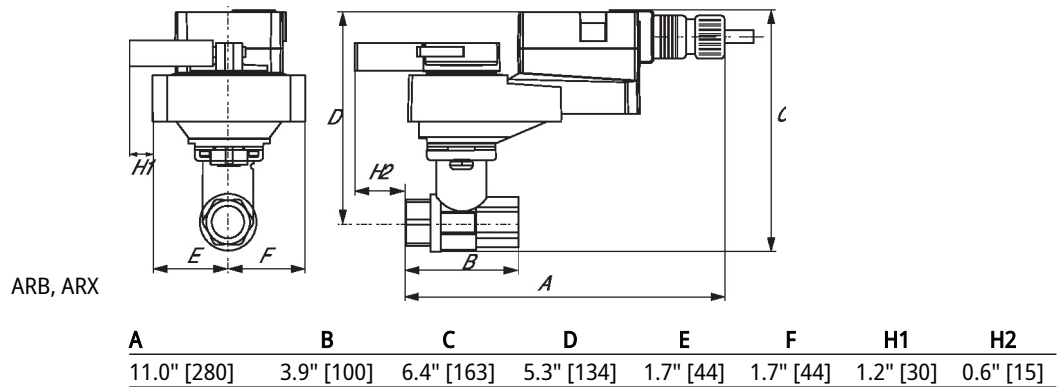
Two-way valves should be installed with the disc upstream.

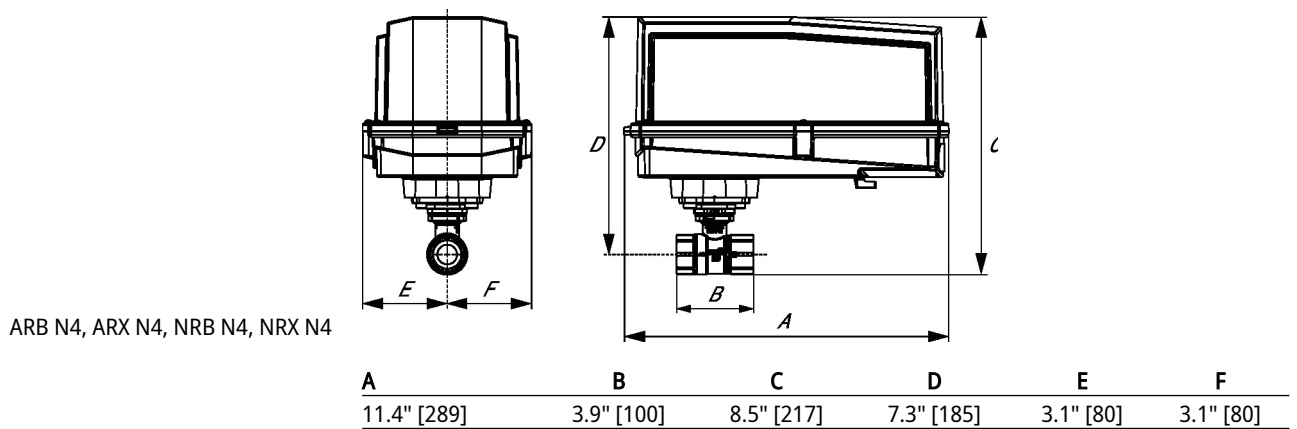
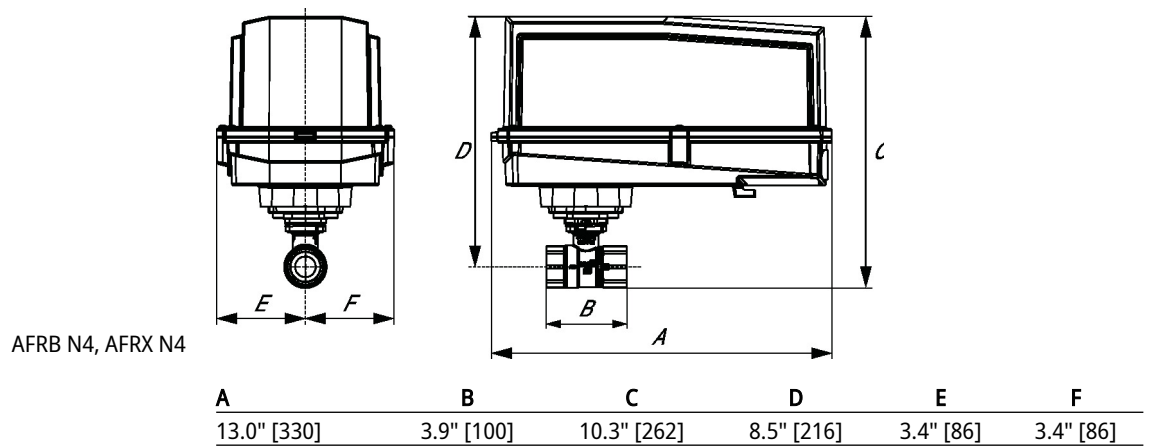
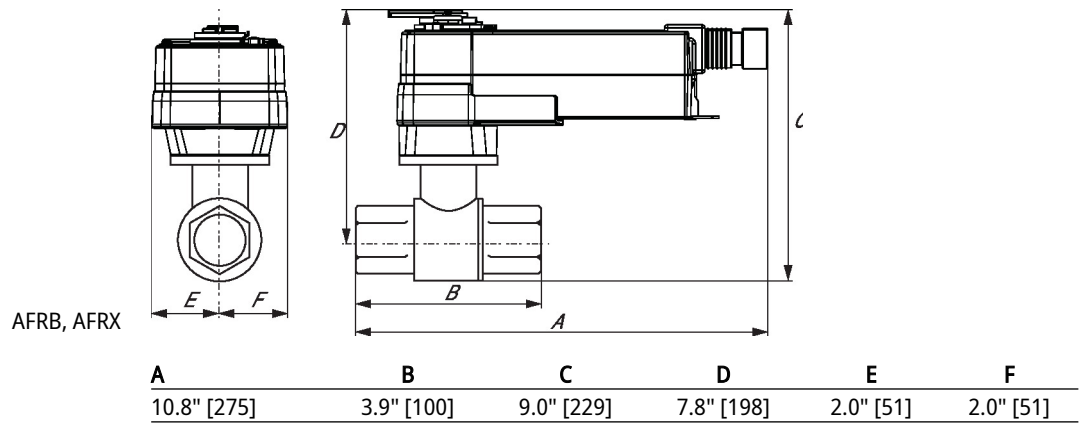
**Product features**

**Mode of operation** Local Control SY2-12, 110vac Mod

**Dimensions**

|             |           |
|-------------|-----------|
| <b>Type</b> | <b>DN</b> |
| B240        | 40        |







5-year warranty



Technical data

|                        |                                    |  |
|------------------------|------------------------------------|--|
| <b>Electrical data</b> | Nominal voltage                    | AC/DC 24 V   |
|                        | Nominal voltage frequency          | 50/60 Hz   |
|                        | Power consumption in operation     | 3.5 W  |
|                        | Power consumption in rest position | 1.3 W  |
|                        | Transformer sizing                 | 6 VA (class 2 power source)  |
|                        | Electrical Connection              | Terminal blocks  |
|                        | Overload Protection                | electronic throughout 0...90° rotation   |
| <b>Functional data</b> | Operating range Y                  | 2...10 V   |
|                        | Operating range Y note             | 4...20 mA w/ ZG-R01 (500 Ω, 1/4 W resistor)  |
|                        | Input Impedance                    | 100 kΩ for 2...10 V (0.1 mA), 500 Ω for 4...20 mA, 1500 Ω for PWM, On/Off and Floating point |
|                        | Operating range Y variable         | Start point 0.5...30 V<br>End point 2.5...32 V   |
|                        | Options positioning signal         | variable (VDC, on/off, floating point)   |
|                        | Position feedback U                | 2...10 V   |
|                        | Position feedback U note           | Max. 0.5 mA  |
|                        | Position feedback U variable       | VDC variable   |
|                        | Direction of motion motor          | selectable with switch 0/1   |
|                        | Manual override                    | under cover  |
|                        | Angle of rotation                  | 90°  |
|                        | Angle of rotation note             | adjustable with mechanical stop  |
|                        | Running Time (Motor)               | 150 s / 90°  |
|                        | Running time motor variable        | 90...150 s   |
| Noise level, motor     | 45 dB(A)                           |  |
| Position indication    | pointer                            |  |
| <b>Safety data</b>     | Degree of protection IEC/EN        | IP66/67  |
|                        | Degree of protection NEMA/UL       | NEMA 4X  |
|                        | Enclosure                          | UL Enclosure Type 4X   |
|                        | Agency Listing                     | cULus acc. to UL60730-1A/-2-14, CAN/CSA E60730-1:02, CE acc. to 2014/30/EU                   |
|                        | Quality Standard                   | ISO 9001   |
|                        | Ambient temperature                | -22...122°F [-30...50°C]   |
|                        | Ambient temperature note           | -40...50°C for actuator with integrated heating  |
|                        | Storage temperature                | -40...176°F [-40...80°C]   |
|                        | Ambient humidity                   | Max. 100% RH   |
|                        | Servicing                          | maintenance-free   |
|                        | <b>Materials</b>                   | Housing material   |

**Footnotes** †Rated Impulse Voltage 800V, Type of action 1, Control Pollution Degree 4.

**Accessories**

| Gateways               | Description   | Type     |
|------------------------|---|----------|
|                        | Gateway MP to BACnet MS/TP  | UK24BAC  |
|                        | Gateway MP to Modbus RTU  | UK24MOD  |
|                        | Gateway MP to LonWorks  | UK24LON  |
| Electrical accessories | Description   | Type     |
|                        | Battery backup system, for non-spring return models   | NSV24 US |
|                        | Battery, 12 V, 1.2 Ah (two required)  | NSV-BAT  |
|                        | Service Tool, with ZIP-USB function, for programmable and communicative Belimo actuators, VAV controller and HVAC performance devices | ZTH US   |
| Service tools          | Description   | Type     |
|                        | Connection cable 10 ft [3 m], A: RJ11 6/4 ZTH EU, B: 3-pin Weidmüller and supply connection   | ZK4-GEN  |
|                        | Service Tool, with ZIP-USB function, for programmable and communicative Belimo actuators, VAV controller and HVAC performance devices | ZTH US   |

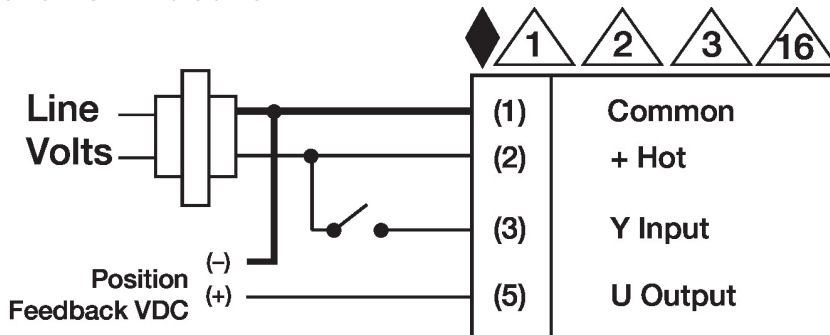
**Electrical installation**

**✂ INSTALLATION NOTES**

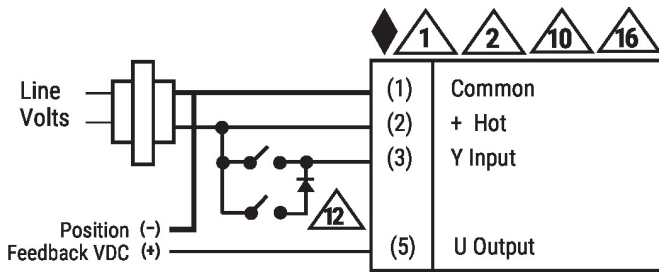
- ⚠1 Provide overload protection and disconnect as required.
- ⚠2 Actuators may be connected in parallel. Power consumption and input impedance must be observed.
- ⚠3 Actuators may also be powered by DC 24 V.
- ⚠5 Only connect common to negative (-) leg of control circuits.
- ⚠7 A 500 Ω resistor (ZG-R01) converts the 4...20 mA control signal to 2...10 V.
- ⚠10 For triac sink the Common connection from the actuator must be connected to the Hot connection of the controller. Position feedback cannot be used with a triac sink controller; the actuator internal common reference is not compatible.
- ⚠12 IN4004 or IN4007 diode. (IN4007 supplied, Belimo part number 40155).
- ⚠16 Actuators are provided with a numbered screw terminal strip instead of a cable.
- ◆ Meets cULus requirements without the need of an electrical ground connection.
- ⚠1 **Warning! Live electrical components!**  
During installation, testing, servicing and troubleshooting of this product, it may be necessary to work with live electrical components. Have a qualified licensed electrician or other individual who has been properly trained in handling live electrical components perform these tasks. Failure to follow all electrical safety precautions when exposed to live electrical components could result in death or serious injury.

**Wiring diagrams**

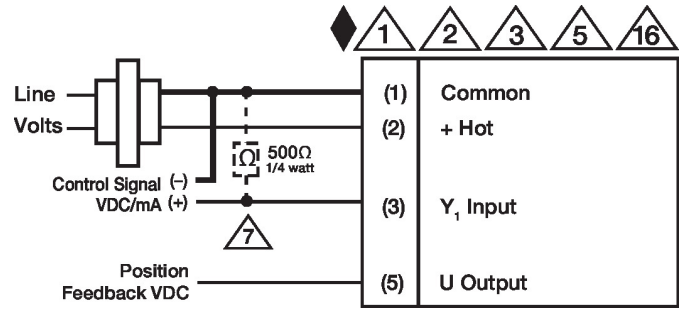
On/Off AC 24 V Transformer



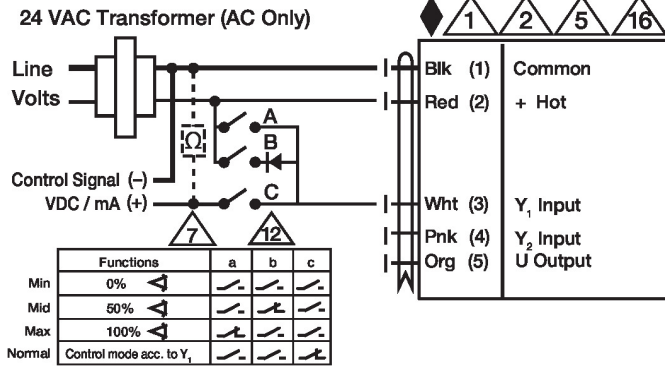
Floating Point AC 24 V Transformer (AC Only)



V/mA Control AC 24 V Transformer



Override Control



Dimensions