



5-year warranty

**Type overview**

|             |           |
|-------------|-----------|
| <b>Type</b> | <b>DN</b> |
| B6250S-110  | 65        |

**Technical data**

|                           |                          |  |
|---------------------------|--------------------------|--|
| <b>Functional data</b>    | Valve size [mm]          | 2.5" [65]  |
|                           | Fluid                    | chilled or hot water, up to 60% glycol                 |
|                           | Fluid Temp Range (water) | 0...250°F [-18...120°C]                                |
|                           | Body Pressure Rating     | ANSI Class 125, standard class B                       |
|                           | Close-off pressure Δps   | 175 psi  |
|                           | Flow characteristic      | equal percentage                                       |
|                           | Servicing                | maintenance-free                                       |
|                           | Flow Pattern             | 2-way  |
|                           | Leakage rate             | 0% for A – AB  |
|                           | Controllable flow range  | 75°  |
|                           | Cv                       | 110  |
|                           | Cv Flow Rating           | A-port: as stated in chart B-port: 70% of A – AB<br>Cv |
|                           | <b>Materials</b>         | Valve body   |
| Spindle                   |                          | stainless steel  |
| Spindle seal              |                          | EPDM (lubricated)                                      |
| Seat                      |                          | PTFE   |
| Characterized disc        |                          | stainless steel  |
| Pipe connection           |                          | pattern to mate with ANSI 125 flange                   |
| O-ring                    |                          | EPDM (lubricated)                                      |
| Ball                      |                          | stainless steel  |
| <b>Suitable actuators</b> | Non-Spring               | ARB(X)   |
|                           | Spring                   | AFRB(X)  |

**Safety notes**

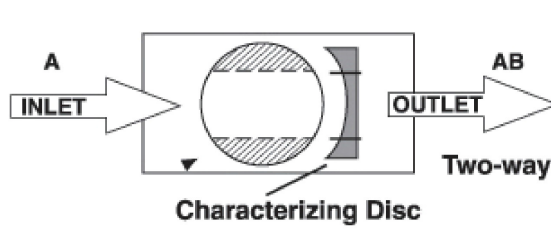


- **WARNING:** This product can expose you to lead which is known to the State of California to cause cancer and reproductive harm. For more information go to [www.p65warnings.ca.gov](http://www.p65warnings.ca.gov)

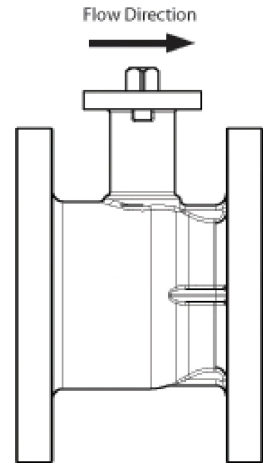
**Product features**

**Application** This valve is typically used in air handling units on heating or cooling coils, and fan coil unit heating or cooling coils. Some other common applications include Unit Ventilators, VAV box re-heat coils and bypass loops. This valve is suitable for use in a hydronic system with variable flow.

Flow/Mounting details



Upstream A  
Downstream AB

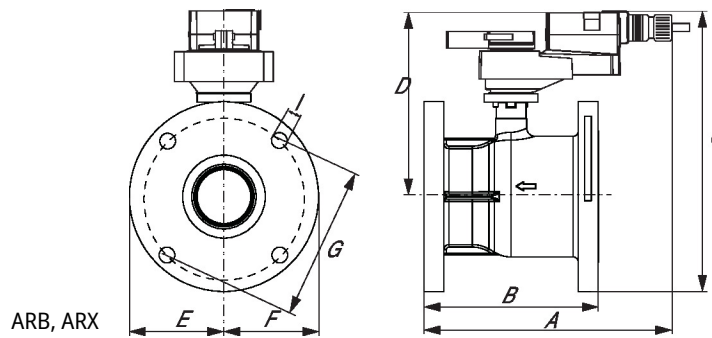


Product features

Mode of operation Local Control SY2-12, 24vac on/off

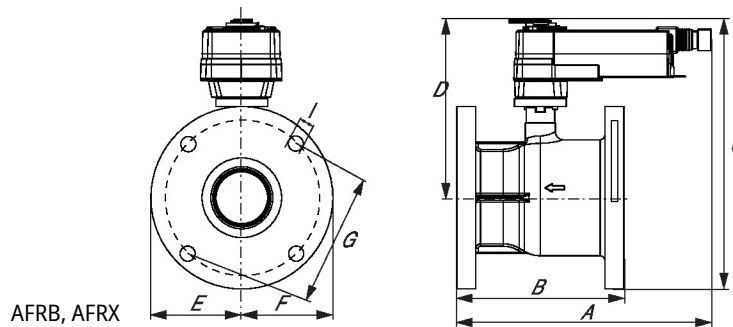
Dimensions

|            |    |
|------------|----|
| Type       | DN |
| B6250S-110 | 65 |



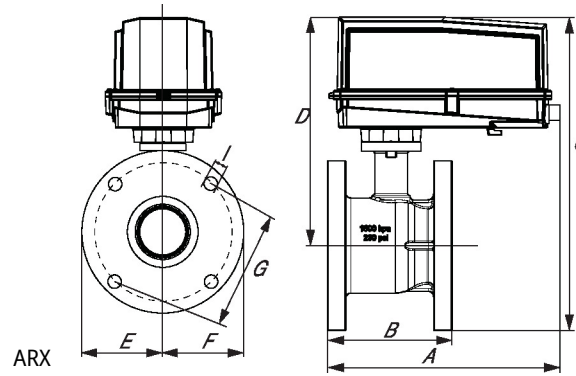
ARB, ARX

|            |            |             |            |           |           |            |           |                      |
|------------|------------|-------------|------------|-----------|-----------|------------|-----------|----------------------|
| A          | B          | C           | D          | E         | F         | G          | I         | Number of Bolt Holes |
| 8.3" [211] | 5.4" [137] | 11.6" [294] | 7.8" [198] | 3.6" [92] | 3.6" [92] | 5.5" [140] | 0.7" [19] | 4                    |

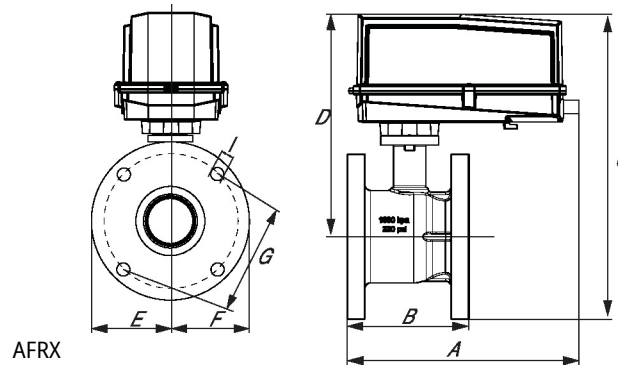


AFRB, AFRX

|            |            |             |            |           |           |            |           |                      |
|------------|------------|-------------|------------|-----------|-----------|------------|-----------|----------------------|
| A          | B          | C           | D          | E         | F         | G          | I         | Number of Bolt Holes |
| 8.3" [211] | 5.4" [137] | 12.2" [309] | 9.4" [239] | 3.6" [92] | 3.6" [92] | 5.5" [140] | 0.7" [19] | 4                    |



| A           | B          | C           | D          | E         | F         | G          | I         | Number of Bolt Holes |
|-------------|------------|-------------|------------|-----------|-----------|------------|-----------|----------------------|
| 13.0" [330] | 5.4" [137] | 15.0" [380] | 7.8" [198] | 3.6" [92] | 3.6" [92] | 5.5" [140] | 0.7" [19] | 4                    |



| A           | B          | C           | D           | E         | F         | G          | I         | Number of Bolt Holes |
|-------------|------------|-------------|-------------|-----------|-----------|------------|-----------|----------------------|
| 14.5" [368] | 5.4" [137] | 16.6" [422] | 11.9" [302] | 3.6" [92] | 3.6" [92] | 5.5" [140] | 0.7" [19] | 4                    |



5-year warranty



Technical data

|                        |                                    |  |
|------------------------|------------------------------------|--|
| <b>Electrical data</b> | Nominal voltage                    | AC/DC 24 V   |
|                        | Nominal voltage frequency          | 50/60 Hz   |
|                        | Power consumption in operation     | 5 W  |
|                        | Power consumption in rest position | 2.5 W  |
|                        | Transformer sizing                 | 7.5 VA (class 2 power source)  |
|                        | Electrical Connection              | 18 GA appliance or plenum cables, 3 ft [1 m], 10 ft [3 m] or 16ft [5 m], with or without 1/2" conduit connector  |
|                        | Overload Protection                | electronic throughout 0...95° rotation   |
| <b>Functional data</b> | Direction of motion motor          | selectable by ccw/cw mounting  |
|                        | Direction of motion fail-safe      | reversible with cw/ccw mounting  |
|                        | Manual override                    | 5 mm hex crank (3/16" Allen), supplied   |
|                        | Angle of rotation                  | 90°  |
|                        | Running Time (Motor)               | 75 s / 90°   |
|                        | Running time fail-safe             | <20 s @ 20°C   |
|                        | Noise level, motor                 | 45 dB(A)   |
|                        | Noise level, fail-safe             | 62 dB(A)   |
| Position indication    | Mechanical                         |  |
| <b>Safety data</b>     | Degree of protection IEC/EN        | IP54   |
|                        | Degree of protection NEMA/UL       | NEMA 2   |
|                        | Enclosure                          | UL Enclosure Type 2  |
|                        | Agency Listing                     | cULus acc. to UL60730-1A/-2-14, CAN/CSA E60730-1:02, CE acc. to 2014/30/EU and 2014/35/EU; Listed to UL 2043 - suitable for use in air plenums per Section 300.22(c) of the NEC and Section 602.2 of the IMC |
|                        | Quality Standard                   | ISO 9001   |
|                        | Ambient temperature                | -22...122°F [-30...50°C]   |
|                        | Storage temperature                | -40...176°F [-40...80°C]   |
|                        | Ambient humidity                   | Max. 95% RH, non-condensing  |
| Servicing              | maintenance-free                   |  |
| <b>Materials</b>       | Housing material                   | Galvanized steel and plastic housing   |

**Footnotes** †Rated Impulse Voltage 800V, Type of action 1.AA, Control Pollution Degree 3

Electrical installation

**INSTALLATION NOTES**

Actuators with appliance cables are numbered.

Provide overload protection and disconnect as required.

- Actuators may also be powered by DC 24 V.
- Actuators may be powered in parallel. Power consumption must be observed.
- Parallel wiring required for piggy-back applications.
- Meets cULus requirements without the need of an electrical ground connection.

**Warning! Live electrical components!**  
 During installation, testing, servicing and troubleshooting of this product, it may be necessary to work with live electrical components. Have a qualified licensed electrician or other individual who has been properly trained in handling live electrical components perform these tasks. Failure to follow all electrical safety precautions when exposed to live electrical components could result in death or serious injury.

**Wiring diagrams**

On/Off

