



5-year warranty

Type overview

| | |
|------------|-----|
| Type | DN |
| B6500S-290 | 125 |

Technical data

| | | |
|---------------------------|--------------------------|--|
| Functional data | Valve size | 5" [125] |
| | Fluid | chilled or hot water, up to 60% glycol |
| | Fluid Temp Range (water) | 0...250°F [-18...120°C] |
| | Body Pressure Rating | ANSI Class 125, standard class B |
| | Close-off pressure Δps | 175 psi |
| | Flow characteristic | equal percentage |
| | Servicing | maintenance-free |
| | Flow Pattern | 2-way |
| | Leakage rate | 0% for A – AB |
| | Controllable flow range | 75° |
| | Cv | 290 |
| | Cv Flow Rating | A-port: as stated in chart B-port: 70% of A – AB Cv |
| | Materials | Valve body |
| Stem | | stainless steel |
| Stem seal | | EPDM (lubricated) |
| Seat | | PTFE |
| Characterized disc | | stainless steel |
| Pipe connection | | pattern to mate with ANSI 125 flange |
| O-ring | | EPDM (lubricated) |
| Ball | | stainless steel |
| Suitable actuators | Non-Spring | GRB(X) |
| | Electrical fail-safe | GKRB(X) |

Safety notes



- WARNING: This product can expose you to lead which is known to the State of California to cause cancer and reproductive harm. For more information go to www.p65warnings.ca.gov

Product features

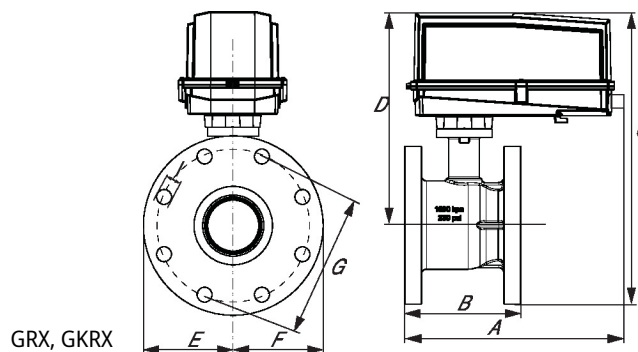
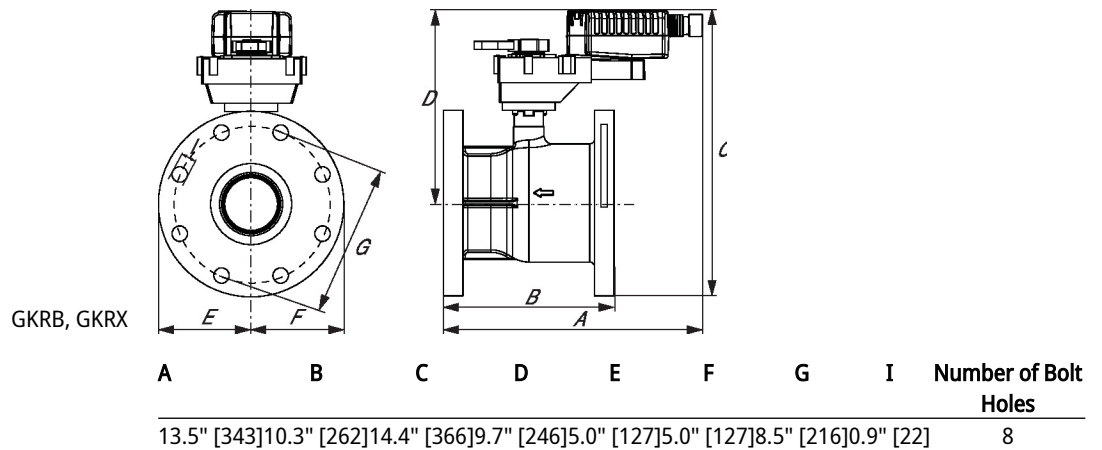
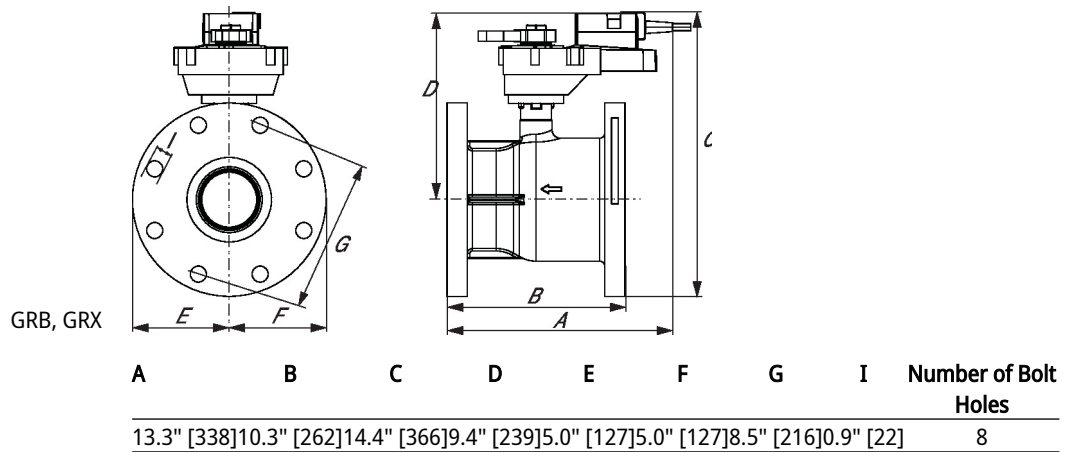
Application This valve is typically used in air handling units on heating or cooling coils, and fan coil unit heating or cooling coils. Some other common applications include Unit Ventilators, VAV box re-heat coils and bypass loops. This valve is suitable for use in a hydronic system with variable flow.

Flow/Mounting details

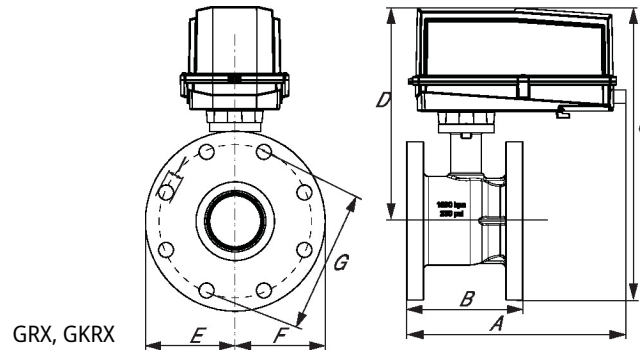


Dimensions

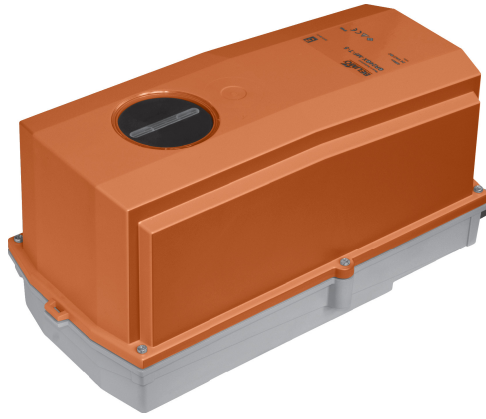
| | |
|------------|-----|
| Type | DN |
| B6500S-290 | 125 |



| A | B | C | D | E | F | G | I | Number of Bolt Holes |
|-------|------------|------------|------------|-----------|-----------|-----------|-----------|----------------------|
| 17.5" | [444]10.3" | [262]17.0" | [433]13.6" | [345]5.0" | [127]5.0" | [127]8.5" | [216]0.9" | [22] 8 |



| A | B | C | D | E | F | G | I | Number of Bolt Holes |
|-------|------------|------------|------------|-----------|-----------|-----------|-----------|----------------------|
| 17.5" | [444]10.3" | [262]17.0" | [433]13.6" | [345]5.0" | [127]5.0" | [127]8.5" | [216]0.9" | [22] 8 |



5-year warranty



Technical data

| | | |
|------------------------|------------------------------------|--|
| Electrical data | Nominal voltage | AC 24 V |
| | Nominal voltage frequency | 50/60 Hz |
| | Power consumption in operation | 12 W |
| | Power consumption in rest position | 3 W |
| | Transformer sizing | 21 VA (class 2 power source) / heater 21 VA |
| | Electrical Connection | 18 GA plenum cable, 3 ft [1 m], with 1/2" conduit connector |
| | Overload Protection | electronic throughout 0...90° rotation |
| Functional data | Bridging time (PF) | 2 s |
| | Pre-charging time | 5...20 s |
| | Direction of motion motor | selectable with switch 0/1 |
| | Direction of motion fail-safe | reversible with switch |
| | Manual override | under cover |
| | Angle of rotation | Max. 95° |
| | Angle of rotation note | adjustable with mechanical stop |
| | Running Time (Motor) | 150 s / 90° |
| | Running time motor note | constant, independent of load |
| | Running time motor variable | 90 or 150 s |
| | Running time fail-safe | <35 s |
| | Noise level, motor | 52 dB(A) |
| | Noise level, fail-safe | 61 dB(A) |
| Position indication | Mechanically, 30...65 mm stroke | |
| Safety data | Degree of protection IEC/EN | IP66/67 |
| | Degree of protection NEMA/UL | NEMA 4X |
| | Enclosure | UL Enclosure Type 4X |
| | Agency Listing | cULus acc. to UL60730-1A/-2-14, CAN/CSA E60730-1, CSA C22.2 No 24-93, CE acc. to 89/336/EC |
| | Quality Standard | ISO 9001 |
| | Ambient temperature | -22...122°F [-30...50°C] |
| | Ambient temperature note | -40...50°C for actuator with integrated heating |
| | Storage temperature | -40...176°F [-40...80°C] |
| | Ambient humidity | Max. 100% RH |
| | Servicing | maintenance-free |
| Materials | Housing material | Die cast aluminium and plastic casing |

Footnotes †Rated Impulse Voltage 800V, Type of action 1.AA, Control Pollution Degree 3

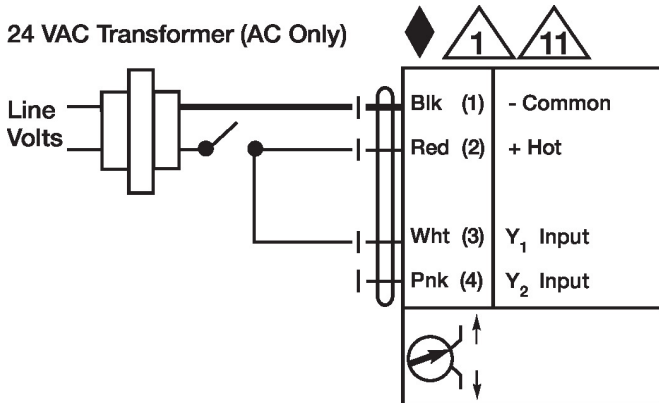
Electrical installation

✂ INSTALLATION NOTES

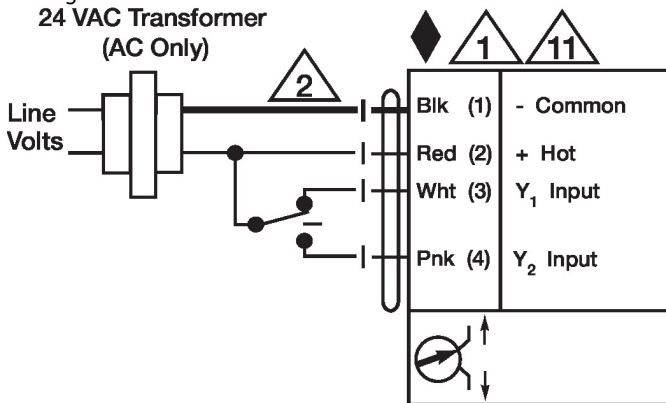
- 1** Provide overload protection and disconnect as required.
- 2** Actuators may be connected in parallel. Power consumption and input impedance must be observed.
- 3** Actuators may also be powered by DC 24 V.
- 11** Actuators may be connected in parallel if not mechanically linked. Power consumption and input impedance must be observed.
- 16** Actuators are provided with a numbered screw terminal strip instead of a cable.
- ◆ Meets cULus requirements without the need of an electrical ground connection.
- 1** **Warning! Live electrical components!**
During installation, testing, servicing and troubleshooting of this product, it may be necessary to work with live electrical components. Have a qualified licensed electrician or other individual who has been properly trained in handling live electrical components perform these tasks. Failure to follow all electrical safety precautions when exposed to live electrical components could result in death or serious injury.

Wiring diagrams

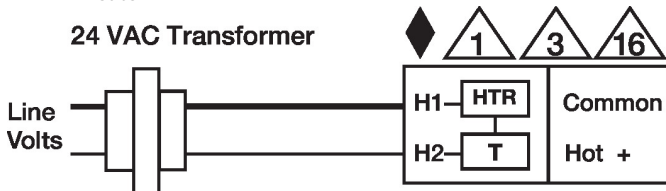
On/Off



Floating Point



NEMA 4 Heater



Dimensions