

- For potable water applications
- NSF/ANSI 372 - Lead Free
- NSF/ANSI 61 - Water Quality
- CRN: OC/2102CL
- MSS SP67-2002a



2-year warranty



Technical data

<b>Functional data</b>	Valve size [mm]	2" [50]
	Fluid	Potable water
	Fluid Temp Range (water)	-22...250°F [-30...120°C]
	Body Pressure Rating	ANSI Class Consistent with 125, 200 psi CWP
	Close-off pressure Δps	150 psi
	Flow characteristic	modified equal percentage
	Installation position	upright to horizontal (in relation to the stem)
	Servicing	maintenance-free
	Rangeability Sv	30:1 (for 30...70° range)
	Flow Pattern	2-way
	Leakage rate	0%
	Controllable flow range	90° rotation
	Cv	115
	Maximum Velocity	12 FPS
	Lug threads	5/8-11 UNC
<b>Materials</b>	Valve body	Ductile cast iron ASTM A536
	Body finish	Epoxy powder coating (black RAL 9005)
	Spindle	416 stainless steel
	Spindle seal	Buna-N
	Seat	EPDM
	Pipe connection	for use with ANSI class 125/150 flanges
	Bearing	RPTFE
	Disc	Aluminum Bronze
<b>Suitable actuators</b>	Non-Spring	AMB(X)
	Spring	AF
	Electrical fail-safe	GRCB(X) GKRB(X)

Safety notes



- The valve has to be exercised at least once a week, so that the quality of potable water as well as the functionality are not affected.

Product features

Flow/Mounting details



Product features

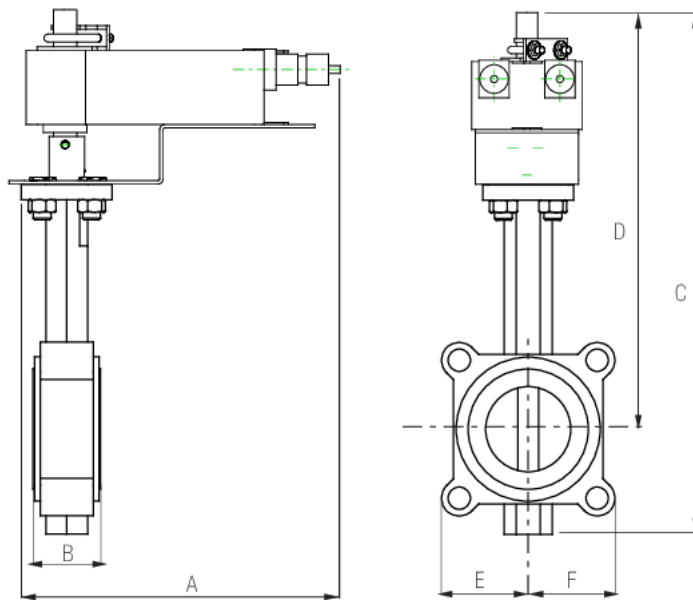
**Mode of operation** The valve is adjusted by a rotary actuator. The rotary actuator is connected by an on/off signal. Open the ball valve counterclockwise and close it clockwise.

Dimensions

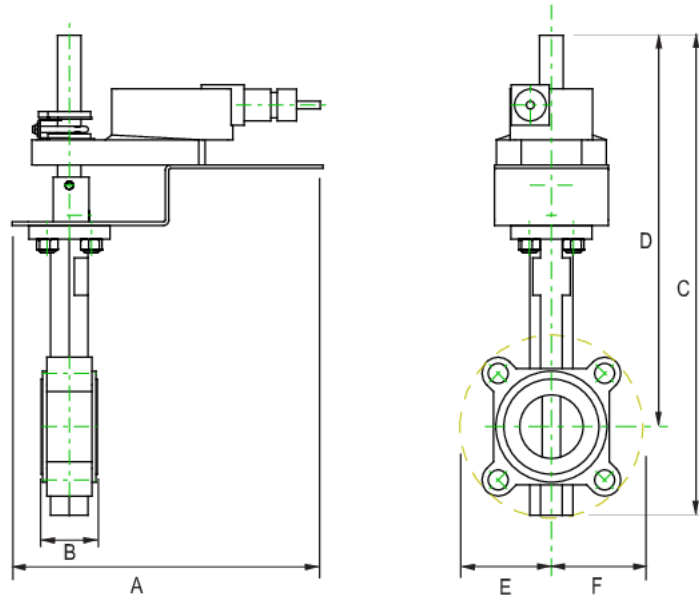
**DN**  
50

**Weight**  
9 lb [4.1 kg]

Valve with AFX Actuator

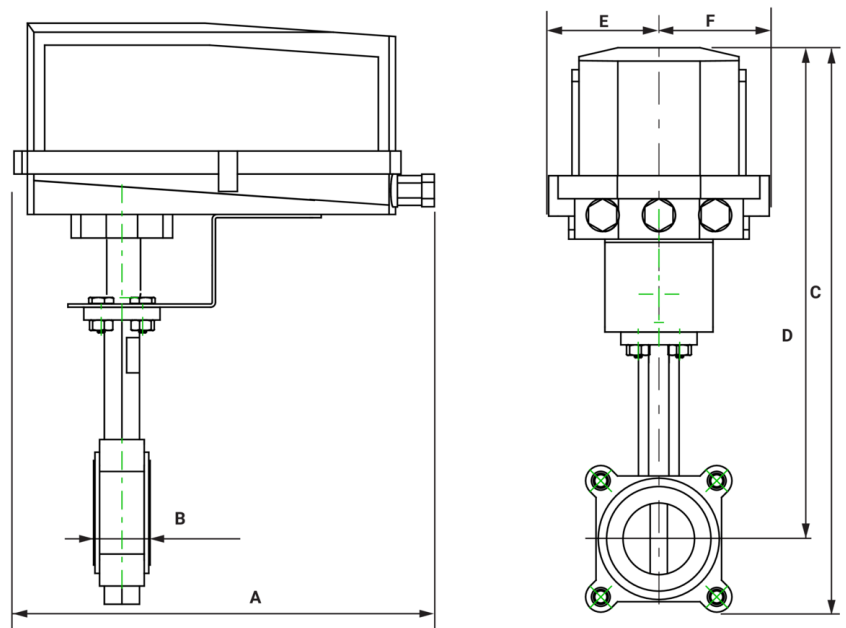


A	B	C	D	E	F	Number of Bolt Holes
10.1" [257]	1.8" [45]	16.0" [406]	12.9" [328]	2.9" [73]	2.9" [73]	4



Valve with AM Actuator

A	B	C	D	E	F	Number of Bolt Holes
10.1" [257]	1.8" [45]	16.0" [406]	12.9" [328]	2.9" [73]	2.9" [73]	4



Valve with DR N4/GR N4/GK N4 Actuator

A	B	C	D	E	F	Number of Bolt Holes
14.1" [358]	1.8" [45]	21.7" [550]	18.5" [470]	3.4" [86]	3.4" [86]	4



5-year warranty



Technical data

<b>Electrical data</b>	Nominal voltage	AC/DC 24 V
	Nominal voltage frequency	50/60 Hz
	Power consumption in operation	5 W
	Power consumption in rest position	2.5 W
	Power consumption for wire sizing	7.5 VA
	Transformer sizing	7.5 VA (class 2 power source)
	Electrical Connection	18 GA appliance cable, 3 ft [1 m], 10 ft [3 m] or 16ft [5 m], with or without 1/2" conduit connector
	Overload Protection	electronic throughout 0...95° rotation
<b>Functional data</b>	Position feedback U note	No Feedback
	Direction of motion motor	selectable by ccw/cw mounting
	Direction of motion fail-safe	reversible with cw/ccw mounting
	Manual override	5 mm hex crank (3/16" Allen), supplied
	Angle of rotation	95°
	Running Time (Motor)	75 s / 90°
	Running time fail-safe	<20 s
	Noise level, motor	50 dB(A)
	Noise level, fail-safe	62 dB(A)
Position indication	Mechanical	
<b>Safety data</b>	Degree of protection IEC/EN	IP54
	Degree of protection NEMA/UL	NEMA 2
	Enclosure	UL Enclosure Type 2
	Agency Listing	cULus acc. to UL60730-1A/-2-14, CAN/CSA E60730-1:02, CE acc. to 2014/30/EU Listed to UL 2043 - suitable for use in air plenums per Section 300.22(C) of the NEC and Section 602 of the IMC
	Quality Standard	ISO 9001
	Ambient temperature	-22...122°F [-30...50°C]
	Storage temperature	-40...176°F [-40...80°C]
	Ambient humidity	Max. 95% RH, non-condensing
	Servicing	maintenance-free
	<b>Materials</b>	Housing material

**Footnotes** †Rated Impulse Voltage 4kV, Type of action 1.AA, Control Pollution Degree 3.

Electrical installation



During installation, testing, servicing and troubleshooting of this product, it may be necessary to work with live electrical components. Have a qualified licensed electrician or other individual who has been properly trained in handling live electrical components perform these tasks. Failure to follow all electrical safety precautions when exposed to live electrical components could result in death or serious injury.

- Ⓐ Actuators with appliance cables are numbered.
- ⚠️ Provide overload protection and disconnect as required.
- ⚠️ Actuators may also be powered by DC 24 V.
- ⚠️ Actuators may be powered in parallel. Power consumption must be observed.
- ⚠️ Parallel wiring required for piggy-back applications.
- ◆ Meets cULus requirements without the need of an electrical ground connection.

**Wiring diagrams**

On/Off

