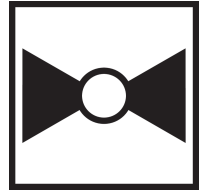


Resilient Seat, 304 Stainless Steel Disc

200 psi (2: to 12") and 150 psi (14"-30") bubble tight shut-off, Long stem design allows for 2" insulation, Valve face-to-face dimensions comply with API 609 & MSS-SP-67, Completely assembled and tested, ready for installation



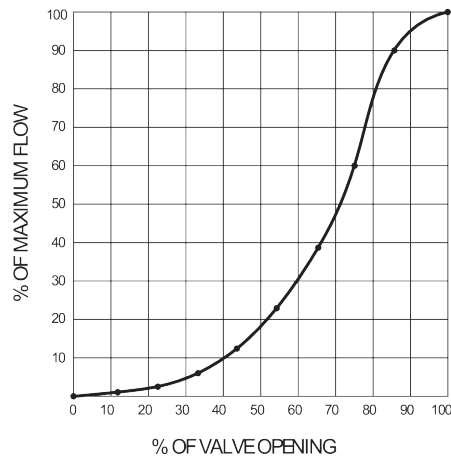
5-year warranty


Technical data

| | | |
|---------------------------|--------------------------------|---|
| Functional data | Valve Size | 5" [125] |
| | Fluid | chilled or hot water, up to 60% glycol |
| | Fluid Temp Range (water) | -22...250°F [-30...120°C] |
| | Body Pressure Rating | ANSI Class Consistent with 125, 232 psi CWP |
| | Close-off pressure Δ ps | 200 psi |
| | Flow characteristic | modified equal percentage |
| | Servicing | maintenance-free |
| | Rangeability Sv | 10:1 (for 30...70° range) |
| | Flow Pattern | 2-way |
| | Leakage rate | 0% |
| | Controllable flow range | 90° rotation |
| | Cv | 1022 |
| | ANSI Class | Consistent with 125 |
| | Body pressure rating note | 232 psi CWP |
| | Maximum Velocity | 12 FPS |
| | Lug threads | 3/4-10 UNC |
| Materials | Valve body | Ductile cast iron ASTM A536 |
| | Body finish | epoxy powder coating (blue RAL 5002) |
| | Stem seal | EPDM (lubricated) |
| | Seat | EPDM |
| | Pipe connection | for use with ANSI class 125/150 flanges |
| | Bearing | RPTFE |
| | Disc | 304 stainless steel |
| | Gear operator materials | Gears - hardened steel |
| Suitable actuators | Non-Spring | DRB(X) PRB(X) |
| | Electronic fail-safe | PKRB(X) |

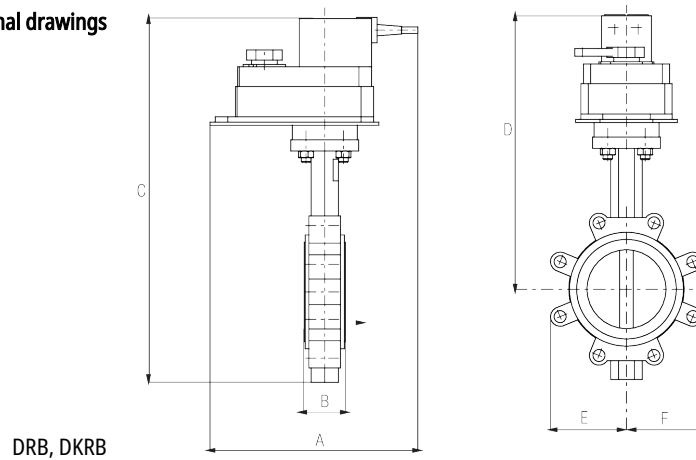
Product features

Flow/Mounting details



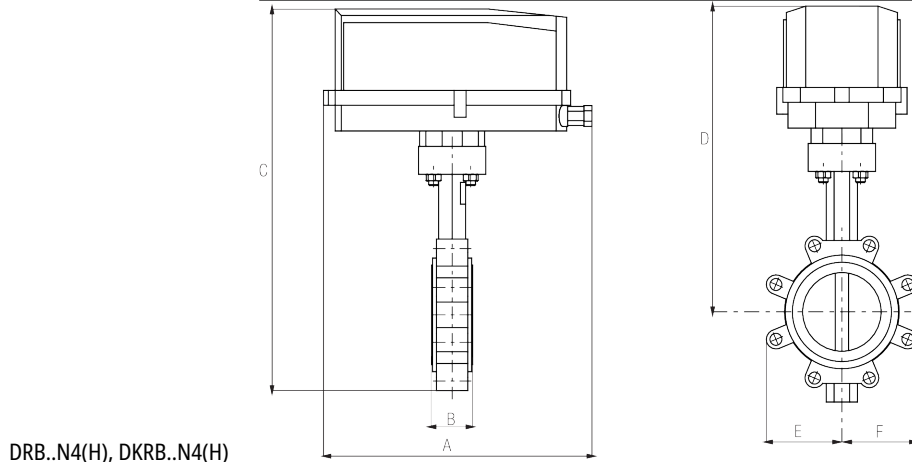
Dimensions

Dimensional drawings



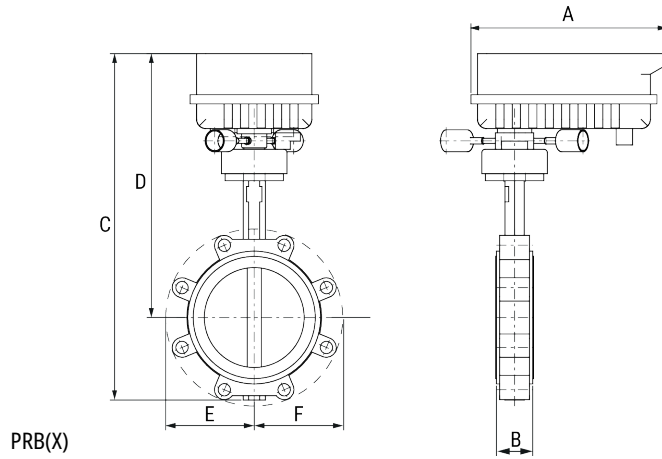
DRB, DKRB

| A | B | C | D | E | F | Number of Bolt Holes |
|-------------|-----------|-------------|-------------|------------|------------|----------------------|
| 11.3" [286] | 2.3" [58] | 17.9" [454] | 13.6" [345] | 4.9" [124] | 4.9" [125] | 8 |

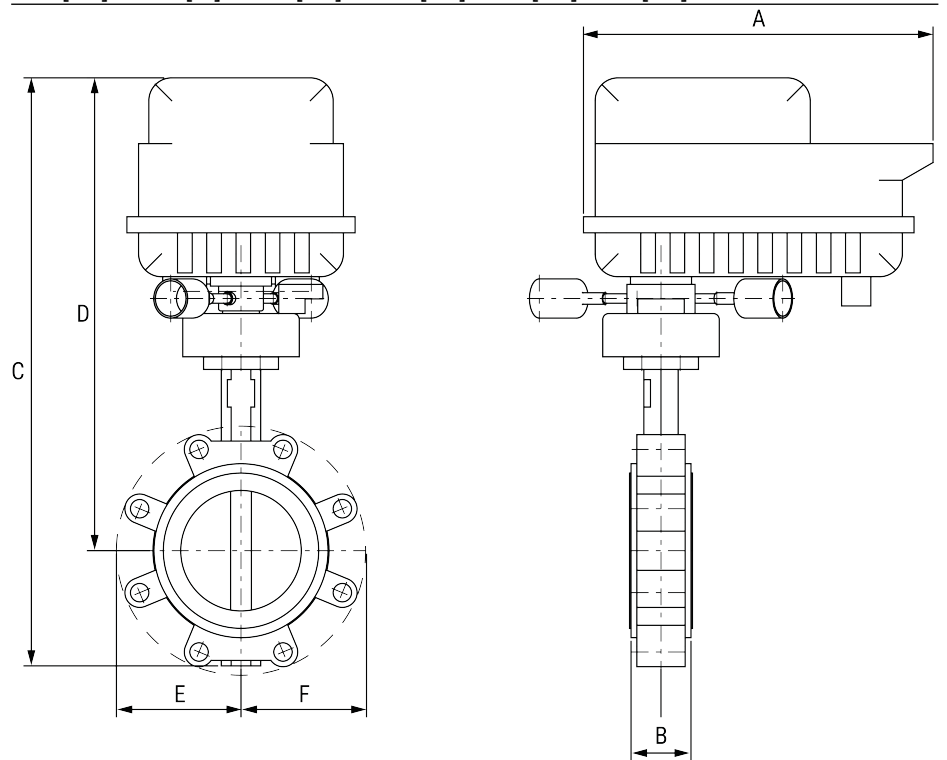


DRB..N4(H), DKRB..N4(H)

| A | B | C | D | E | F | Number of Bolt Holes |
|-------------|-----------|-------------|-------------|------------|------------|----------------------|
| 14.1" [358] | 2.3" [58] | 20.0" [509] | 15.7" [399] | 4.9" [124] | 4.9" [125] | 8 |

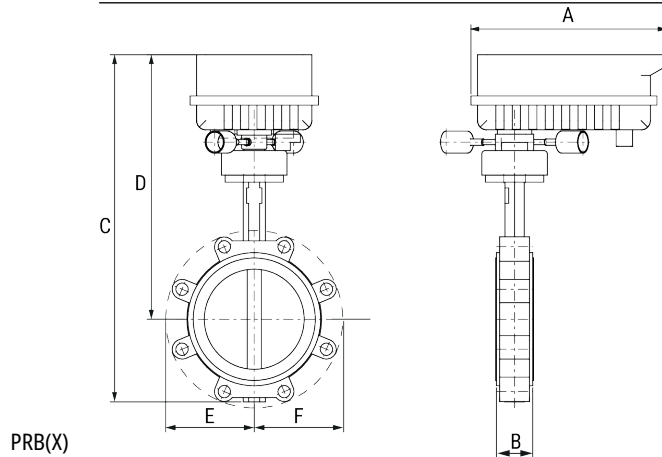


| A | B | C | D | E | F | Number of Bolt Holes |
|-------------|-----------|-------------|-------------|------------|------------|----------------------|
| 12.0" [304] | 2.3" [58] | 19.9" [506] | 15.5" [394] | 4.9" [124] | 4.9" [125] | 8 |

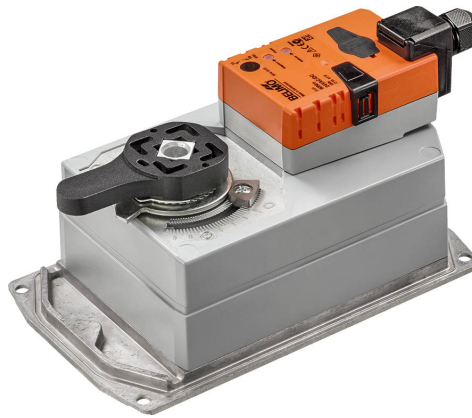


| A | B | C | D | E | F | Number of Bolt Holes |
|-------------|-----------|-------------|-------------|------------|------------|----------------------|
| 12.0" [304] | 2.3" [58] | 22.1" [562] | 17.8" [453] | 4.9" [124] | 4.9" [125] | 8 |

| A | B | C | D | E | F | Number of Bolt Holes |
|-------------|-----------|-------------|-------------|------------|------------|----------------------|
| 12.0" [304] | 2.3" [58] | 22.1" [562] | 17.8" [453] | 4.9" [124] | 4.9" [125] | 8 |



| A | B | C | D | E | F | Number of Bolt Holes |
|-------------|-----------|-------------|-------------|------------|------------|----------------------|
| 12.0" [304] | 2.3" [58] | 19.9" [506] | 15.5" [394] | 4.9" [124] | 4.9" [125] | 8 |



5-year warranty



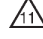




Technical data

| | | |
|------------------------|------------------------------------|--|
| Electrical data | Nominal voltage | AC/DC 100...240 V |
| | Nominal voltage frequency | 50/60 Hz |
| | Power consumption in operation | 5 W |
| | Power consumption in rest position | 2 W |
| | Transformer sizing | 11 VA (class 2 power source) |
| | Electrical Connection | (2) 18 GA appliance cables, 3 ft [1 m], 10 ft [3 m] or 16ft [5 m], with 1/2" conduit connectors |
| | Overload Protection | electronic throughout 0...90° rotation |
| Functional data | Input Impedance | 100 Ω |
| | Direction of motion motor | selectable with switch 0/1 |
| | Manual override | external push button |
| | Running Time (Motor) | 35 s, constant, independent of load |
| | Running time motor note | constant, independent of load |
| | Noise level, motor | 45 dB(A) |
| | Position indication | integrated into handle |
| Safety data | Degree of protection IEC/EN | IP54 |
| | Degree of protection NEMA/UL | NEMA 2 UL Enclosure Type 2 |
| | Agency Listing | cULus acc. to UL60730-1A/-2-14, CAN/CSA E60730-1:02, CE acc. to 2014/30/EU and 2014/35/EU; Listed to UL 2043 - suitable for use in air plenums per Section 300.22(c) of the NEC and Section 602.2 of the IMC |
| | Quality Standard | ISO 9001 |
| | Ambient temperature | -22...122°F [-30...50°C] |
| | Storage temperature | -40...176°F [-40...80°C] |
| | Ambient humidity | max. 95% r.H., non-condensing |
| | Servicing | maintenance-free |
| Materials | Housing material | UL94-5VA |

Electrical installation

INSTALLATION NOTES

-  Actuators with appliance cables are numbered.
-  Provide overload protection and disconnect as required.
-  Actuators may be connected in parallel if not mechanically linked. Power consumption and input impedance must be observed.
-  Meets cULus requirements without the need of an electrical ground connection.
-  **Warning! Live Electrical Components!**
During installation, testing, servicing and troubleshooting of this product, it may be necessary to work with live electrical components. Have a qualified licensed electrician or other individual who has been

properly trained in handling live electrical components perform these tasks. Failure to follow all electrical safety precautions when exposed to live electrical components could result in death or serious injury.

