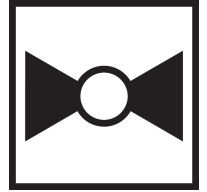




5-year warranty

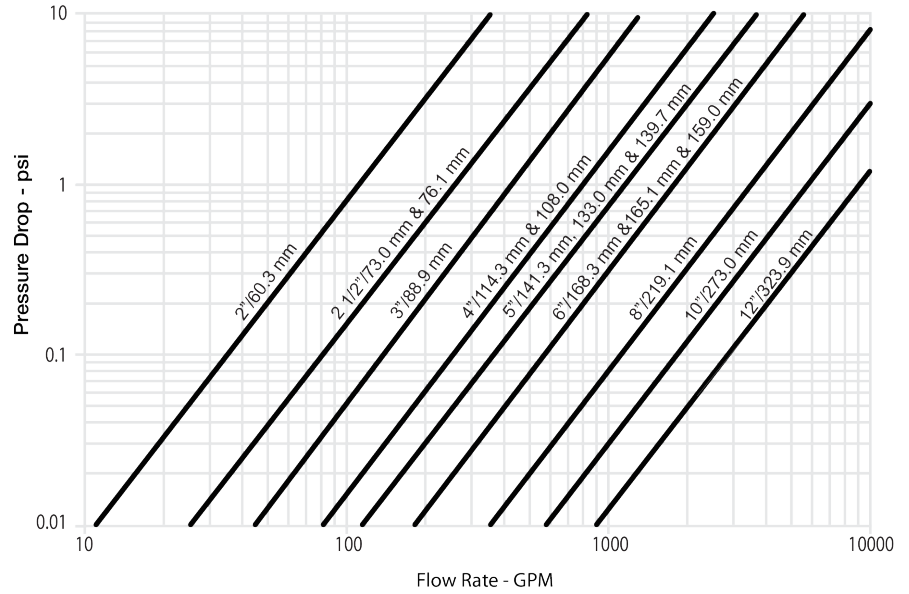


Technical data

| | | |
|---------------------------|--------------------------------|--|
| Functional data | Valve Size | 6" [150] |
| | Fluid | chilled or hot water, up to 60% glycol |
| | Fluid Temp Range (water) | -22...250°F [-30...120°C] |
| | Body Pressure Rating | ANSI Class Grooved AWWA, 300 psi |
| | Close-off pressure Δ ps | 200 psi |
| | Servicing | maintenance-free |
| | Rangeability Sv | 100:1 |
| | Flow Pattern | 2-way |
| | Leakage rate | 0% |
| | Controllable flow range | 90° rotation |
| | Cv | 1800 |
| | ANSI Class | Grooved AWWA |
| | Body pressure rating note | 300 psi |
| | Maximum Velocity | 20 FPS |
| Materials | Valve body | Ductile cast iron ASTM A536 |
| | Body finish | black alkyd enamel |
| | Stem seal | fiberglass with TFE lining |
| | Seat | EPDM |
| | End fitting | grooved ANSI/AWWA (c606) |
| | Disc | electroless nickel coated ductile iron |
| Suitable actuators | Non-Spring | DRB(X) PRB(X) |
| | Electronic fail-safe | PKRB(X) |

Product features

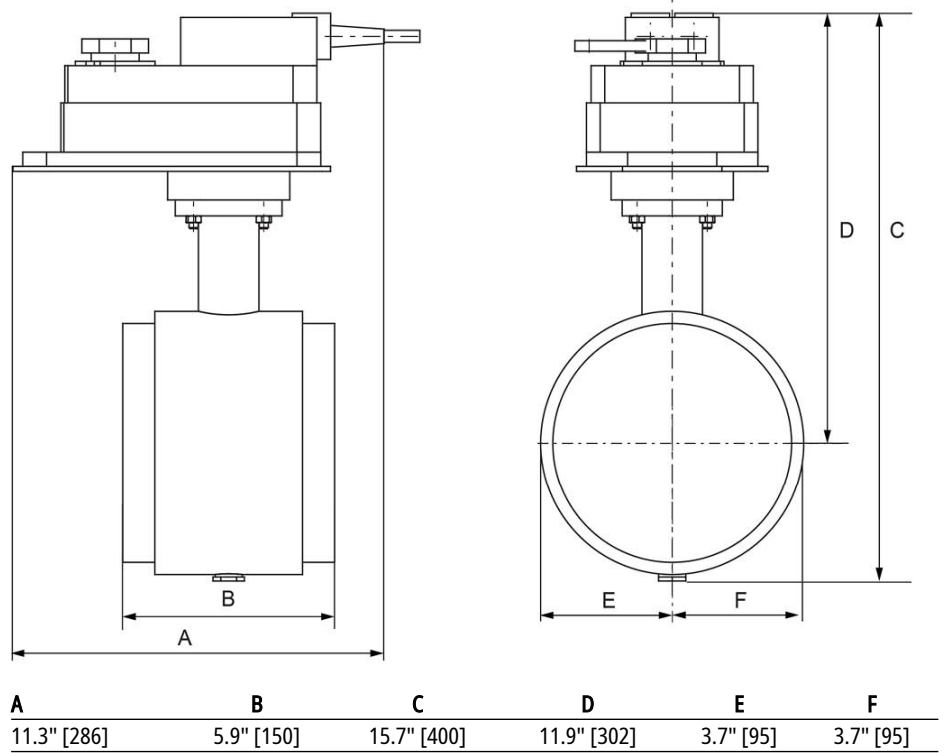
Flow/Mounting details



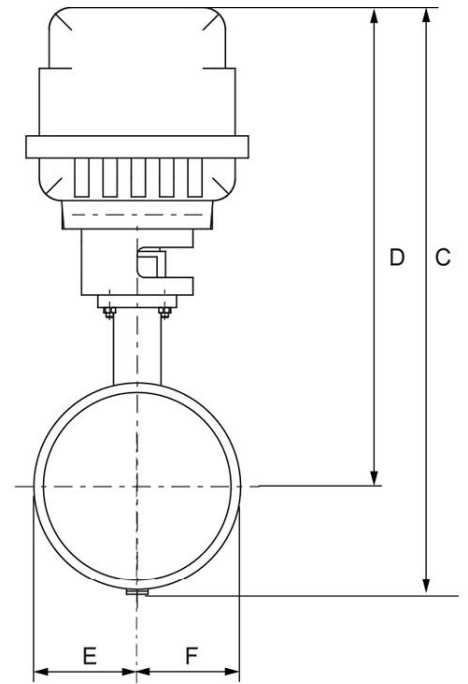
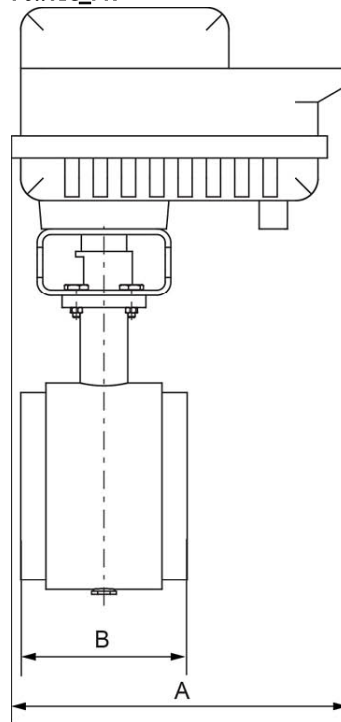
Dimensions

Dimensional drawings

DR

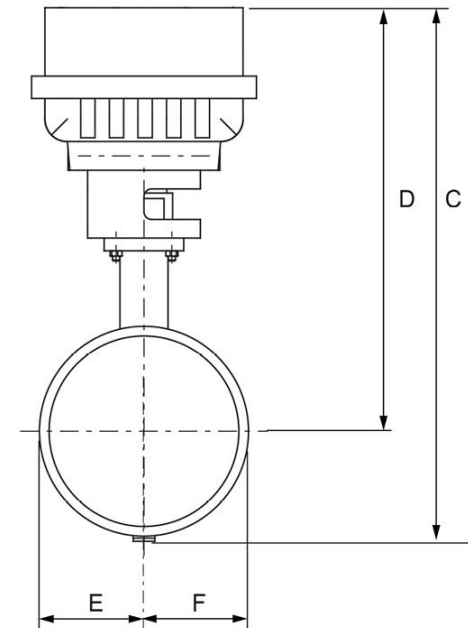
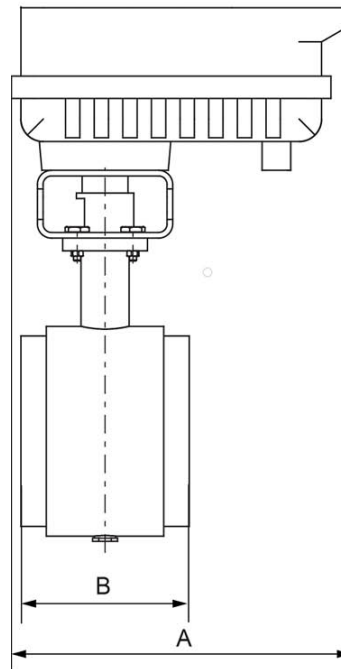


F6..VIC_PK



| A | B | C | D | E | F |
|-------------|------------|-------------|-------------|-----------|-----------|
| 11.9" [302] | 5.9" [150] | 20.7" [527] | 16.9" [428] | 3.7" [95] | 3.7" [95] |

F6..VIC_PR



| A | B | C | D | E | F |
|-------------|------------|-------------|-------------|-----------|-----------|
| 11.7" [298] | 5.9" [150] | 18.2" [463] | 14.4" [366] | 3.7" [95] | 3.7" [95] |



5-year warranty



Technical data

| | | | |
|------------------------------|-------------------------------------|--|--------------------------------------|
| Electrical data | Nominal voltage | AC 24...240 V / DC 24...125 V | |
| | Nominal voltage frequency | 50/60 Hz | |
| | Power consumption in operation | 20 W | |
| | Power consumption in rest position | 6 W | |
| | Transformer sizing | 20 VA @ AC/DC 24 V (class 2 power source), 23 VA @ AC/DC 120 V, 52 VA @ AC 230 V | |
| | Auxiliary switch | 2 x SPDT, 3 A resistive (0.5 A inductive) @ AC 250 V, one set at 10°, one adjustable 0...90° | |
| | Switching capacity auxiliary switch | 3 A resistive (0.5 A inductive) @ AC 250 V | |
| | Electrical Connection | Terminal blocks, (PE) Ground-Screw | |
| | Overload Protection | electronic throughout 0...90° rotation | |
| | Functional data | Communicative control | BACnet MS/TP Modbus RTU MP-Bus |
| Operating range Y | | 2...10 V | |
| Operating range Y note | | 4...20 mA | |
| Input Impedance | | 100 kΩ for 2...10 V (0.1 mA), 500 Ω for 4...20 mA, 1500 Ω for On/Off | |
| Operating range Y variable | | Start point 0.5...30 V End point 2.5...32 V | |
| Options positioning signal | | variable (VDC, on/off, floating point) | |
| Position feedback U | | 2...10 V | |
| Position Feedback | | 2...10 V, Max. 0.5 mA, VDC variable | |
| Position feedback U note | | Max. 0.5 mA | |
| Position feedback U variable | | VDC variable | |
| Direction of motion motor | | reversible with app | |
| Manual override | | 7 mm hex crank, supplied | |
| Angle of rotation | | 90° | |
| Running Time (Motor) | | default 35 s, variable 30...120 s | |
| Running time motor variable | | 30...120 s | |
| Noise level, motor | | 68 dB(A) | |
| Position indication | | top mounted domed indicator | |
| Passive sensor inputs | | 2x (Pt1000, Ni1000, NTC10k2) | |
| Safety data | | Degree of protection IEC/EN | IP66/67 |
| | | Degree of protection NEMA/UL | NEMA 4X |
| | Enclosure | UL Enclosure Type 4X | |
| | Agency Listing | cULus acc. to UL60730-1A/-2-14, CAN/CSA E60730-1:02, CE acc. to 2014/30/EU and 2014/35/EU | |
| | Quality Standard | ISO 9001 | |
| | Ambient temperature | -22...122°F [-30...50°C] | |

| | |
|---------------------|---|
| Storage temperature | -40...176°F [-40...80°C] |
| Ambient humidity | max. 95% r.H., non-condensing |
| Servicing | maintenance-free |
| Weight | Weight 13 lb [5.8 kg] |
| Materials | Housing material Die cast aluminium and plastic casing |

Product features

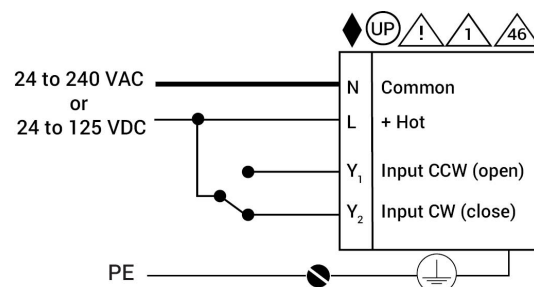
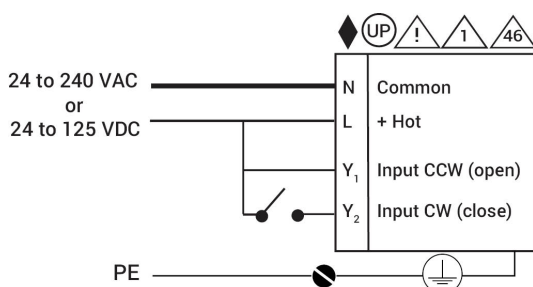
- Application** PR Series valve actuators are designed with an integrated linkage and visual position indicators. For outdoor applications, the installed valve must be mounted with the actuator at or above horizontal. For indoor applications the actuator can be in any location including directly under the valve.
- Operation** The PR series actuator provides 90° of rotation and a visual indicator shows the position of the valve. The PR Series actuator uses a low power consumption brushless DC motor and is electronically protected against overload. A universal power supply is furnished to connect supply voltage in the range of AC 24...240 V and DC 24...125 V. Included is a smart heater with thermostat to eliminate condensation. Two auxiliary switches are provided; one set at 10° open and the other is field adjustable. Running time is field adjustable from 30...120 seconds by using the Near Field Communication (NFC) app and a smart phone.
 †Use 60°C/75°C copper wire size range 12...28 AWG, stranded or solid. Use flexible metal conduit. Push the listed conduit fitting device over the actuator's cable to butt against the enclosure. Screw in conduit connector. Jacket the actuators input wiring with listed flexible conduit. Properly terminate the conduit in a suitable junction box. Rated impulse Voltage 4000 V. Type of action 1. Control pollution degree 3.

Accessories

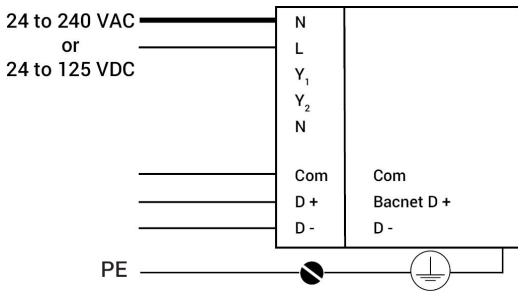
| Gateways | Description | Type |
|---------------|---|---------|
| | Gateway MP to BACnet MS/TP | UK24BAC |
| | Gateway MP to LonWorks | UK24LON |
| | Gateway MP to Modbus RTU | UK24MOD |
| Service tools | Description | Type |
| | Connection cable 10 ft [3 m], A: RJ11 6/4 ZTH EU, B: 3-pin Weidmüller and supply connection | ZK4-GEN |
| | Service Tool, with ZIP-USB function, for parametrisable and communicative Belimo actuators, VAV controller and HVAC performance devices | ZTH US |

Electrical installation

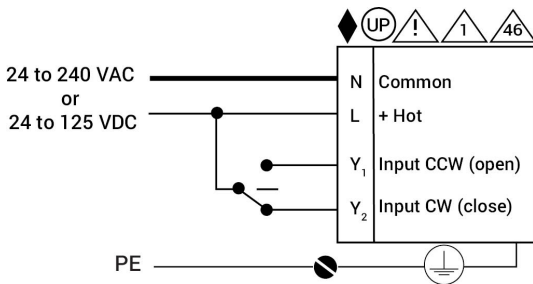
- ◆ Meets cULus requirements without the need of an electrical ground connection.
- UP Universal Power Supply (UP) models can be supplied with 24 V up to 240 V.
- ⚡ Disconnect power.
- 1 Provide overload protection and disconnect as required.
- 4 Two built-in auxiliary switches (2x SPDT), for end position indication, interlock control, fan startup, etc.
- 5 Only connect common to negative (-) leg of control circuits.
- 46 Actuators may be controlled in parallel. Current draw and input impedance must be observed.
- ⚠ **Warning! Live Electrical Components!**
 During installation, testing, servicing and troubleshooting of this product, it may be necessary to work with live electrical components. Have a qualified licensed electrician or other individual who has been properly trained in handling live electrical components perform these tasks. Failure to follow all electrical safety precautions when exposed to live electrical components could result in death or serious injury.



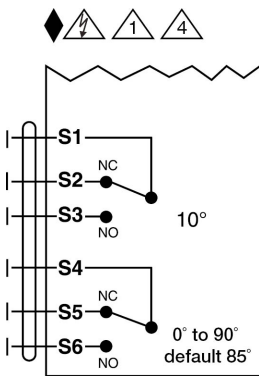
On/Off



BACnet

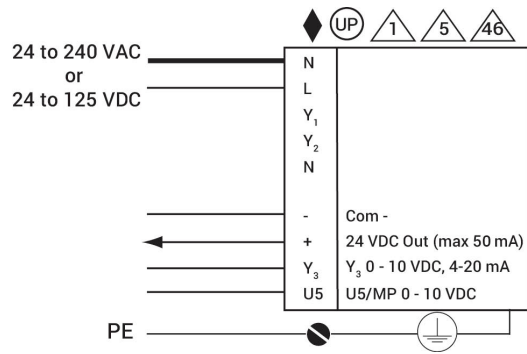


Floating Point

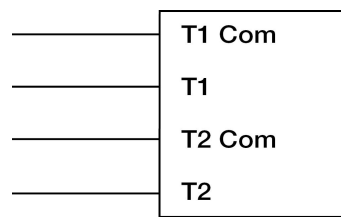


Auxiliary Switches

On/Off



Modulating



Temperature Sensors