

# F6 Series 2-Way, ANSI Class 300 Butterfly Valve Reinforced Teflon Seat, 316 Stainless Disc



- Bubble tight shut-off to ANSI Class 300 Standards
- Long stem design allows for 2" insulation minimum
- Valve Face-to-face dimensions comply with API 609 & MSS-SP-68
- Designed to be installed between ASME/ANSI B16.5 Flanges
- Completely assembled and tested, ready for installation

## Application

These valves are designed to meet the needs of HVAC and Commercial applications requiring positive shut-off for liquids at higher pressures and temperatures. Typical applications include chiller isolation, cooling tower isolation, change-over systems, large air handler coil control, bypass and process control applications. The large C<sub>v</sub> values provide for an economical control valve solution for larger flow applications.

## Dead End Service

Utilizes larger retainer ring set screws to allow the valve to be placed at the end of the line without a down stream flange in either flow direction while still holding full pressure.

Technical Data	
Service	chilled, hot water, 60% glycol, steam to 50 psi
Flow characteristic	modified equal percentage, unidirectional
Controllable flow range	82°
Sizes	2" to 24"
Type of end fitting	ANSI 300 flanges
Materials	
Body	carbon steel full lug
Disc	316 stainless steel
Seat	RPTFE
Shaft	17-4 PH stainless
Gland seal	PTFE
Bushings	glass backed PTFE
Media temperature range	-20°F to 400°F [-30°C to 204°C]
Body pressure rating	ANSI Class 300
Close-off pressure	740 psi
Rangeability	100:1 (for 30 deg to 70 deg range)
Maximum velocity	32 FPS
Leakage	bubble tight

		2-way Valves		Suitable Actuators			
		Valve Nominal Size		Non Fail-Safe		Fail-Safe	
						Spring Return	Electronic
C <sub>v</sub> 90°	C <sub>v</sub> 60°	Inches	ANSI 300 2-way		300	300	300
102	56	2	F650-300SHP				
146	80	2½	F665-300SHP				
228	125	3	F680-300SHP				
451	248	4	F6100-300SHP				
714	392	5	F6125-300SHP				
1103	607	6	F6150-300SHP				
2064	1135	8	F6200-300SHP				
3517	1934	10	F6250-300SHP				
4837	2660	12	F6300-300SHP				
6857	3592	14*	F6350-300SHP				

Valve	Size	C <sub>v</sub>	MOD									ON/OFF	
			10°	20°	30°	40°	50°	60°	70°	80°	90°	90°	90°
F650-300SHP	2"	102	1.50	6.10	14	26	39	56	77	99	102		
F665-300SHP	2½"	146	2.20	8.80	20	37	55	80	110	142	146		
F680-300SHP	3"	228	3.40	14	32	57	87	125	171	221	228		
F6100-300SHP	4"	451	6.80	27	63	114	171	248	338	437	451		
F6125-300SHP	5"	714	11	43	100	180	271	393	536	693	714		
F6150-300SHP	6"	1103	17	66	154	278	419	607	827	1070	1103		
F6200-300SHP	8"	2064	31	124	289	520	784	1135	1548	2002	2064		
F6250-300SHP	10"	3517	53	211	492	886	1336	1934	2638	3411	3517		
F6300-300SHP	12"	4837	73	290	677	1219	1838	2660	3628	4692	4837		
F6350-300SHP	14"	6857	90	392	914	1646	2481	3592	4898	6530	6857		
F6400-300SHP	16"	9287	132	531	1230	2229	3361	4865	6634	8845	9287		

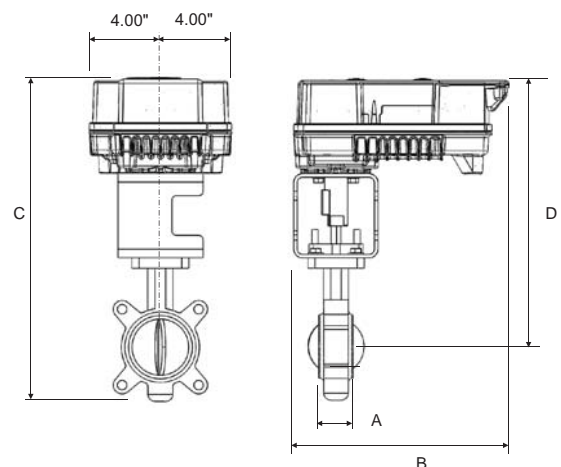
Maximum Dimensions (Inches)												
Valve	Size	C <sub>v</sub> 90°	A	B	C	D(Max)	BHC	No. of Holes	Lug Bolt	Actuator	Close-Off (PSI)	
F650-300SHP	2"	102	1.75	9.00	9.00	19.50	5.00	8	5/8-11 UNC	2*AF	150	Spring Return
F665-300SHP	2½"	146	1.88	9.00	9.00	20.00	5.88	8	3/4-10 UNC		150	
F680-300SHP	3"	228	1.92	9.00	9.00	20.50	6.63	8	3/4-10 UNC		150	
F6100-300SHP	4"	451	2.13	9.00	9.00	21.00	7.88	8	3/4-10 UNC		150	
F650-300SHP	2"	102	1.75	9.00	9.00	19.50	5.00	8	5/8-11 UNC	GK	150	Electronic Fail-Safe
F665-300SHP	2½"	146	1.88	9.00	9.00	20.00	5.88	8	3/4-10 UNC		150	
F680-300SHP	3"	228	1.92	9.00	9.00	20.50	6.63	8	3/4-10 UNC		150	
F6100-300SHP	4"	451	2.13	9.00	9.00	21.00	7.88	8	3/4-10 UNC		150	
F650-300SHP	2"	102	1.75	9.00	9.00	19.50	5.00	8	5/8-11 UNC	2*GK	400	Electronic Fail-Safe
F665-300SHP	2½"	146	1.88	9.00	9.00	20.00	5.88	8	3/4-10 UNC		400	
F680-300SHP	3"	228	1.92	9.00	9.00	20.50	6.63	8	3/4-10 UNC		400	
F650-300SHP	2"	102	1.75	9.00	9.00	19.50	5.00	8	5/8-11 UNC	GM	285	Electronic Fail-Safe
F665-300SHP	2½"	146	1.88	9.00	9.00	20.00	5.88	8	3/4-10 UNC		285	
F680-300SHP	3"	228	1.92	9.00	9.00	20.50	6.63	8	3/4-10 UNC		285	
F6100-300SHP	4"	451	2.13	9.00	9.00	21.00	7.88	8	3/4-10 UNC		150	
F650-300SHP	2"	102	1.75	8.00	8.00	22.25	4.75	8	5/8-11 UNC	PR/PKR	600	Non-Spring Return
F665-300SHP	2½"	146	1.88	8.00	8.00	22.75	5.50	8	3/4-10 UNC		600	
F680-300SHP	3"	228	1.92	8.00	8.00	23.00	6.00	8	3/4-10 UNC		600	
F6100-300SHP	4"	451	2.13	8.00	8.00	23.75	7.50	8	3/4-10 UNC		600	
F6125-300SHP	5"	714	2.25	8.00	8.00	24.25	9.25	8	3/4-10 UNC	PR/PK	400	Non-Spring Return
F6150-300SHP	6"	1103	2.29	8.00	8.00	24.75	10.63	12	3/4-10 UNC	PR/PK	285	
F6200-300SHP	8"	2064	2.88	12.00	12.00	32.00	13.00	12	7/8-9 UNC	SY4...	600	
										SY5...	400	
										SY7...	600	
F6300-300SHP	12"	4837	3.62	12.00	12.00	35.00	17.75	16	1 1/8-8 UNC	SY5...	285	
										SY7...	600	
										SY7...	400	
F6350-300SHP	14"	6857	4.62	14.00	14.00	36.00	20.25	20	1 1/8-8 UNC	SY8...	600	

Dimension "A" does not include flange gaskets. (2 required per valve)

### Application Notes

- Valves are rated at 725 psi differential pressure in the closed position @ 100°F media temperature.
- Valves are furnished with lugs tapped for use between ANSI Class 250/300 flanges conforming to ANSI B16.5 Standards.
- 2-way assemblies are furnished assembled, calibrated and tested, ready for installation.
- Dimension "D" allows for actuator(s) removal without the need to remove the valve from the pipe.
- Weather shields are available, dimensional data furnished upon request.
- Dual actuated valves have actuators mounted on a single common shaft.
- Flange gaskets (2 required, not provided with valve) MUST be used between valve and ANSI flange.
- Flange bolts are not included with the valve. These are furnished by others.

### Dimensions





5-year warranty



## Technical data

<b>Electrical data</b>	Nominal voltage	AC 24...240 V / DC 24...125 V
	Nominal voltage frequency	50/60 Hz
	Power consumption in operation	20 W
	Power consumption in rest position	6 W
	Transformer sizing	20 VA @ AC/DC 24 V (class 2 power source), 23 VA @ AC/DC 120 V, 52 VA @ AC 230 V
	Auxiliary switch	2 x SPDT, 3 A resistive (0.5 A inductive) @ AC 250 V, 1 x 10° / 1 x 0...90° (default setting 85°)
	Switching capacity auxiliary switch	3 A resistive (0.5 A inductive) @ AC 250 V
	Electrical Connection	Terminal blocks, (PE) Ground-Screw
	Overload Protection	electronic throughout 0...90° rotation
<b>Functional data</b>	Direction of motion motor	reversible with app
	Manual override	7 mm hex crank, supplied
	Angle of rotation	90°
	Running Time (Motor)	35 s
	Noise level, motor	68 dB(A)
	Position indication	integral pointer
<b>Safety data</b>	Degree of protection IEC/EN	IP66/67
	Degree of protection NEMA/UL	NEMA 4X
	Enclosure	UL Enclosure Type 4X
	Agency Listing	cULus acc. to UL60730-1A/-2-14, CAN/CSA E60730-1:02, CE acc. to 2014/30/EU and 2014/35/EU
	Quality Standard	ISO 9001
	Ambient temperature	-22...122°F [-30...50°C]
	Ambient humidity	Max. 100% RH
	Servicing	maintenance-free
<b>Weight</b>	Weight	13 lb [5.9 kg]
<b>Materials</b>	Housing material	die cast aluminium polycarbonate cover

## Product features

**Application** PR Series valve actuators are designed with an integrated linkage and visual position indicators. For outdoor applications, the installed valve must be mounted with the actuator at or above horizontal. For indoor applications the actuator can be in any location including directly under the valve.

**Operation** The PR series actuator provides 90° of rotation and a visual indicator shows the position of the valve. The PR Series actuator uses a low power consumption brushless DC motor and is electronically protected against overload. A universal power supply is furnished to connect supply voltage in the range of AC 24...240 V and DC 24...125 V. Included is a smart heater with thermostat to eliminate condensation. Two auxiliary switches are provided; one set at 10° open and the other is field adjustable. Running time is field adjustable from 30...120 seconds by using the Near Field Communication (NFC) app and a smart phone.

†Use 60°C/75°C copper wire size range 12...28 AWG, stranded or solid. Use flexible metal conduit. Push the listed conduit fitting device over the actuator's cable to butt against the enclosure. Screw in conduit connector. Jacket the actuators input wiring with listed flexible conduit. Properly terminate the conduit in a suitable junction box. Rated impulse Voltage 4000 V. Type of action 1. Control pollution degree 3.

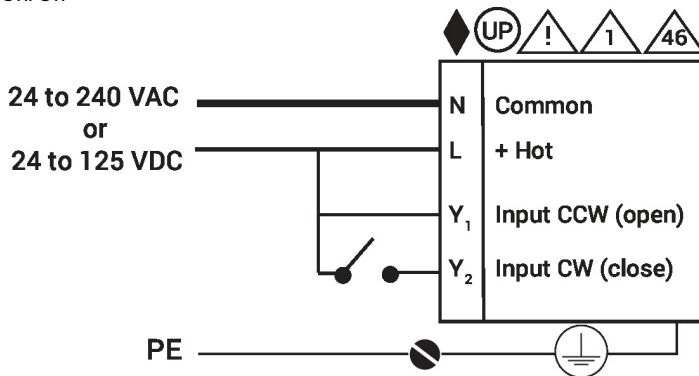
Accessories

Mechanical accessories	Description	Type
	Hand crank for PR, PKR, PM	ZG-HND PR

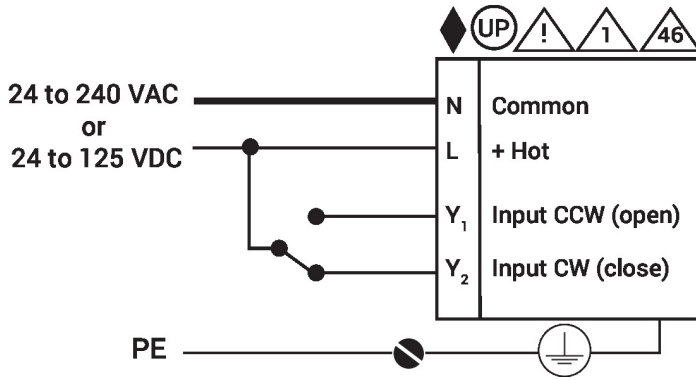
Electrical installation

- ◆ Meets cULus requirements without the need of an electrical ground connection.
- Ⓢ Universal Power Supply (UP) models can be supplied with 24 VAC up to 240 VAC, or 24 VDC up to 125 VDC.
- ⚠ Disconnect power.
- ⚠ Provide overload protection and disconnect as required.
- ⚠ Two built-in auxiliary switches (2x SPDT), for end position indication, interlock control, fan startup, etc.
- ⚠ Actuators may be controlled in parallel. Current draw and input impedance must be observed.
- ⚠ **Warning! Live electrical components!**  
During installation, testing, servicing and troubleshooting of this product, it may be necessary to work with live electrical components. Have a qualified licensed electrician or other individual who has been properly trained in handling live electrical components perform these tasks. Failure to follow all electrical safety precautions when exposed to live electrical components could result in death or serious injury.

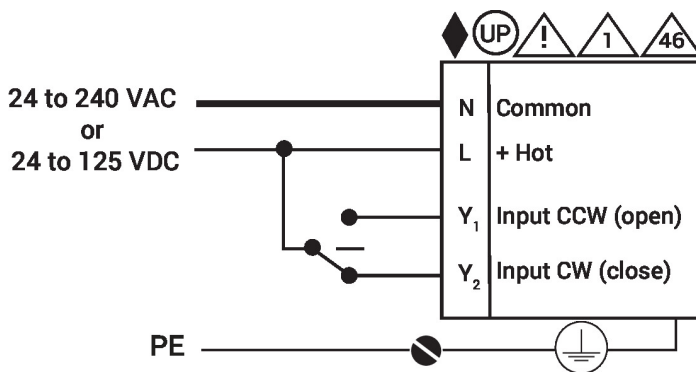
Wiring diagrams  
On/Off



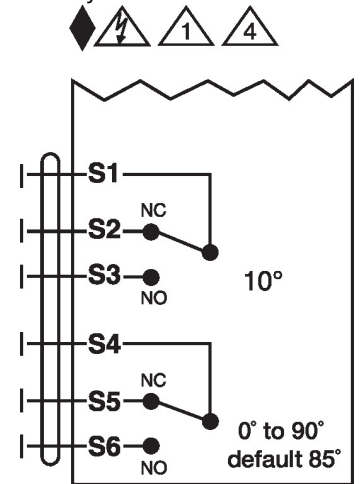
On/Off



Floating Point



Auxiliary Switches



**Dimensions**

Dimensional drawings

