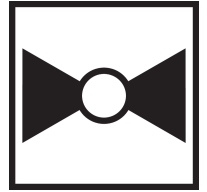


Resilient Seat, 304 Stainless Steel Disc

200 psi (2: to 12") and 150 psi (14"-30") bubble tight shut-off, Long stem design allows for 2" insulation, Valve face-to-face dimensions comply with API 609 & MSS-SP-67, Completely assembled and tested, ready for installation



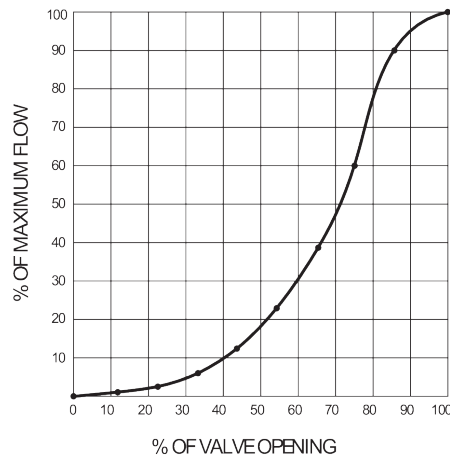
5-year warranty


Technical data

Functional data	Valve Size	2.5" [65]
	Fluid	chilled or hot water, up to 60% glycol
	Fluid Temp Range (water)	-22...250°F [-30...120°C]
	Body Pressure Rating	ANSI Class Consistent with 125, 232 psi CWP
	Close-off pressure Δps	200 psi
	Flow characteristic	modified equal percentage
	Servicing	maintenance-free
	Rangeability Sv	10:1 (for 30...70° range)
	Flow Pattern	2-way
	Leakage rate	0%
	Controllable flow range	90° rotation
	Cv	196
	ANSI Class	Consistent with 125
	Body pressure rating note	232 psi CWP
	Maximum Velocity	12 FPS
	Lug threads	5/8-11 UNC
Materials	Valve body	Ductile cast iron ASTM A536
	Body finish	epoxy powder coating (blue RAL 5002)
	Stem seal	EPDM (lubricated)
	Seat	EPDM
	Pipe connection	for use with ANSI class 125/150 flanges
	Bearing	RPTFE
	Disc	304 stainless steel
	Gear operator materials	Gears - hardened steel
Suitable actuators	Non-Spring	ARB(X)
		GRB(X)

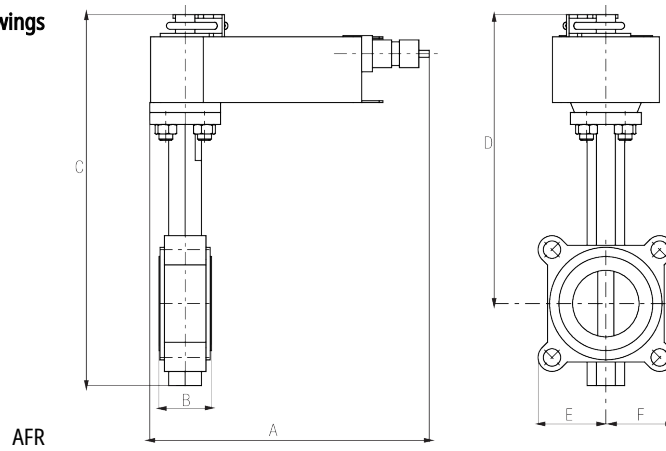
Product features

Flow/Mounting details

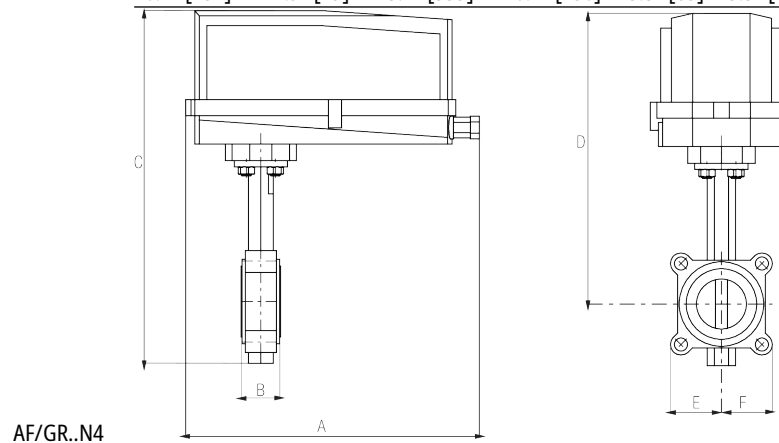


Dimensions

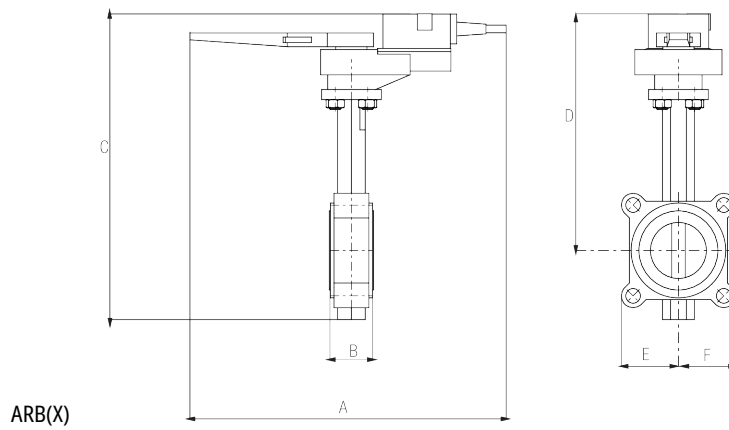
Dimensional drawings



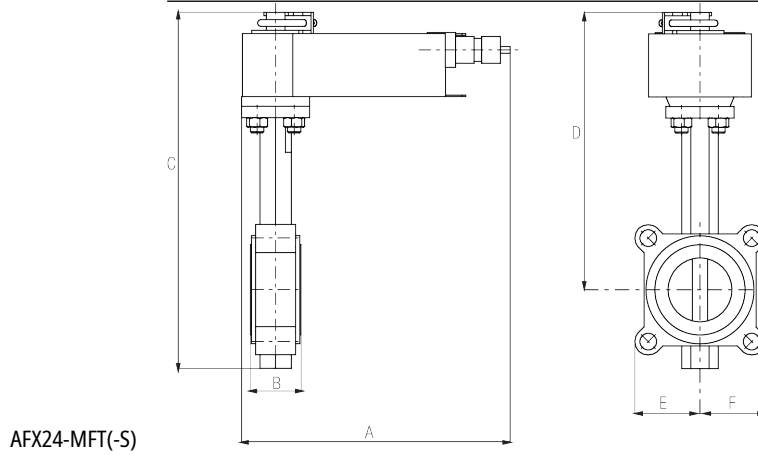
A	B	C	D	E	F	Number of Bolt Holes
10.1" [257]	1.9" [49]	13.1" [333]	10.1" [256]	3.3" [85]	3.3" [85]	4



A	B	C	D	E	F	Number of Bolt Holes
14.5" [368]	1.9" [49]	17.0" [433]	13.9" [354]	3.4" [86]	3.4" [86]	4



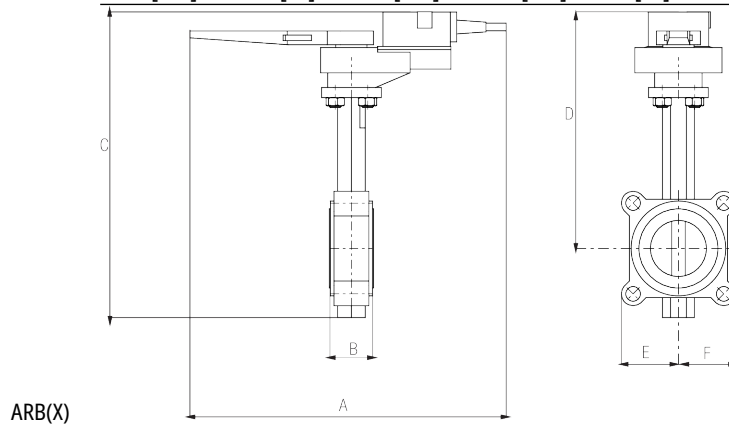
A	B	C	D	E	F	Number of Bolt Holes
14.5" [368]	1.9" [49]	13.3" [337]	10.2" [260]	3.3" [85]	3.3" [85]	4



A	B	C	D	E	F	Number of Bolt Holes
10.1" [257]	1.9" [49]	16.0" [406]	12.9" [328]	3.3" [85]	3.3" [85]	4

A	B	C	D	E	F	Number of Bolt Holes
12.0" [304]	1.9" [49]	17.6" [448]	14.5" [368]	3.9" [100]	3.9" [100]	4

A	B	C	D	E	F	Number of Bolt Holes
10.1" [257]	1.9" [49]	16.0" [406]	12.9" [328]	3.3" [85]	3.3" [85]	4



A	B	C	D	E	F	Number of Bolt Holes
14.5" [368]	1.9" [49]	13.3" [337]	10.2" [260]	3.3" [85]	3.3" [85]	4

A	B	C	D	E	F	Number of Bolt Holes
12.0" [304]	1.9" [49]	17.6" [448]	14.5" [368]	3.9" [100]	3.9" [100]	4



5-year warranty



Technical data

Electrical data	Nominal voltage	AC 24...240 V / DC 24...125 V
	Nominal voltage frequency	50/60 Hz
	Power consumption in operation	7 W
	Power consumption in rest position	3.5 W
	Transformer sizing	7 VA @ AC 24 V (class 2 power source), 8.5 VA @ AC 120 V, 18 VA @ AC 240 V
	Electrical Connection	18 GA appliance cable, 3 ft [1 m], with 1/2" conduit connector
	Overload Protection	electronic throughout 0...95° rotation
Functional data	Direction of motion motor	selectable by ccw/cw mounting
	Direction of motion fail-safe	reversible with cw/ccw mounting
	Manual override	5 mm hex crank (3/16" Allen), supplied
	Angle of rotation	90°
	Running Time (Motor)	75 s
	Running time fail-safe	<20 s t _{amb} = 68°F [20°C]
	Noise level, motor	45 dB(A)
	Noise level, fail-safe	62 dB(A)
Position indication	Mechanical	
Safety data	Degree of protection IEC/EN	IP54
	Degree of protection NEMA/UL	NEMA 2 UL Enclosure Type 2
	Agency Listing	cULus acc. to UL60730-1A/-2-14, CAN/CSA E60730-1:02, CE acc. to 2014/30/EU and 2014/35/EU; Listed to UL 2043 - suitable for use in air plenums per Section 300.22(c) of the NEC and Section 602.2 of the IMC
	Quality Standard	ISO 9001
	Ambient temperature	-22...122°F [-30...50°C]
	Storage temperature	-40...176°F [-40...80°C]
	Ambient humidity	max. 95% r.H., non-condensing
	Servicing	maintenance-free
Weight	Weight	4.1 lb [1.9 kg]

Electrical installation

INSTALLATION NOTES

- Actuators with appliance cables are numbered.
- Universal Power Supply (UP) models can be supplied with 24 VAC up to 240 VAC, or 24 VDC up to 125 VDC.
- Provide overload protection and disconnect as required.
- Actuators may be powered in parallel. Power consumption must be observed.

Parallel wiring required for piggy-back applications.

Meets cULus requirements without the need of an electrical ground connection.

Warning! Live Electrical Components!

During installation, testing, servicing and troubleshooting of this product, it may be necessary to work with live electrical components. Have a qualified licensed electrician or other individual who has been properly trained in handling live electrical components perform these tasks. Failure to follow all electrical safety precautions when exposed to live electrical components could result in death or serious injury.

