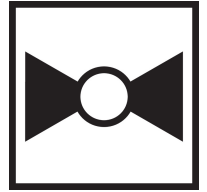




5-year warranty



Type overview

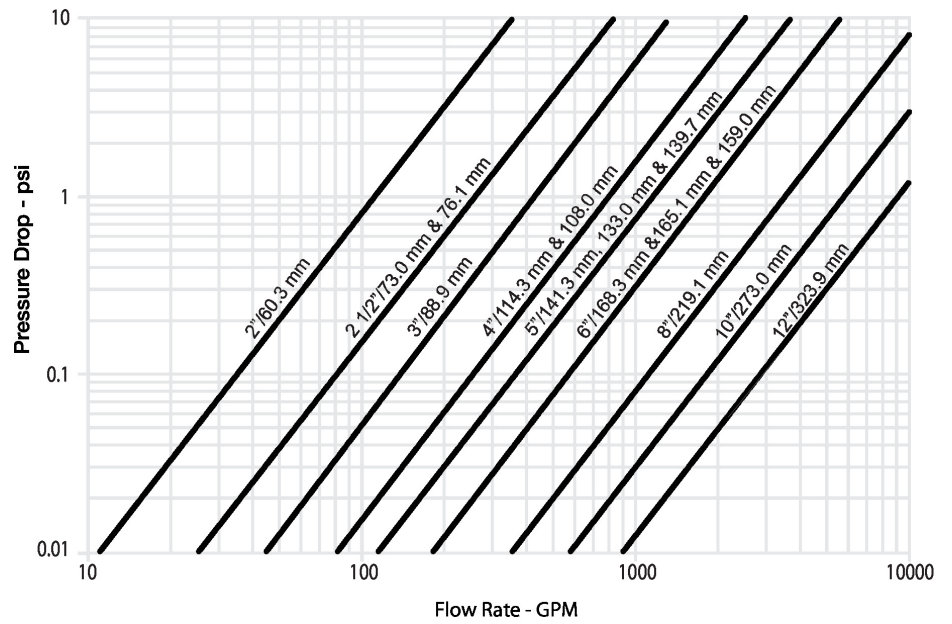
Type	DN
F680VIC	80

Technical data

Functional data	Valve Size	3" [80]
	Fluid	chilled or hot water, up to 60% glycol
	Fluid Temp Range (water)	-22...250°F [-30...120°C]
	Body Pressure Rating	ANSI Class Grooved AWWA, 300 psi
	Flow characteristic	modified equal percentage
	Servicing	maintenance-free
	Rangeability Sv	100:1
	Flow Pattern	2-way
	Leakage rate	0%
	Controllable flow range	90° rotation
	Cv	440
	Maximum Velocity	20 FPS
Materials	Valve body	Ductile cast iron ASTM A536
	Body finish	black alkyd enamel
	Stem	416 stainless steel
	Stem seal	fiberglass with TFE lining
	Seat	EPDM
	Pipe connection	grooved ANSI/AWWA (c606)
	Disc	electroless nickel coated ductile iron
Suitable actuators	Non-Spring	GMB(X) GRCB(X) PRB(X)
	Spring	(2*AFB(X))
	Electrical fail-safe	GKB(X)

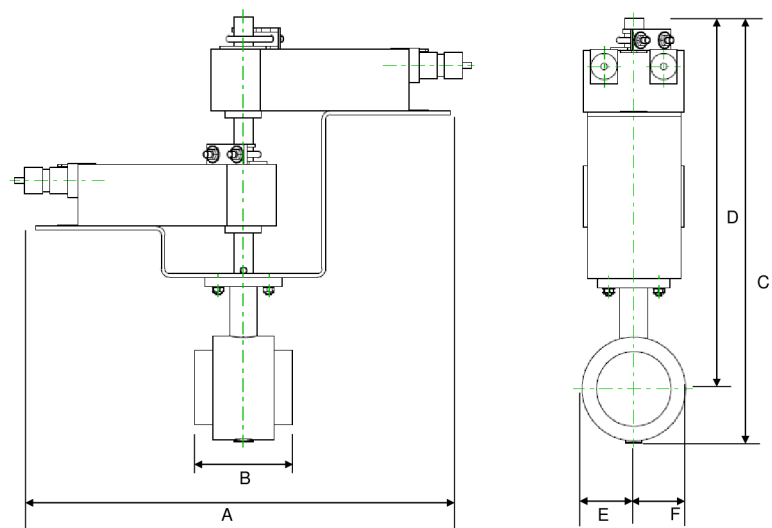
Product features

Flow/Mounting details



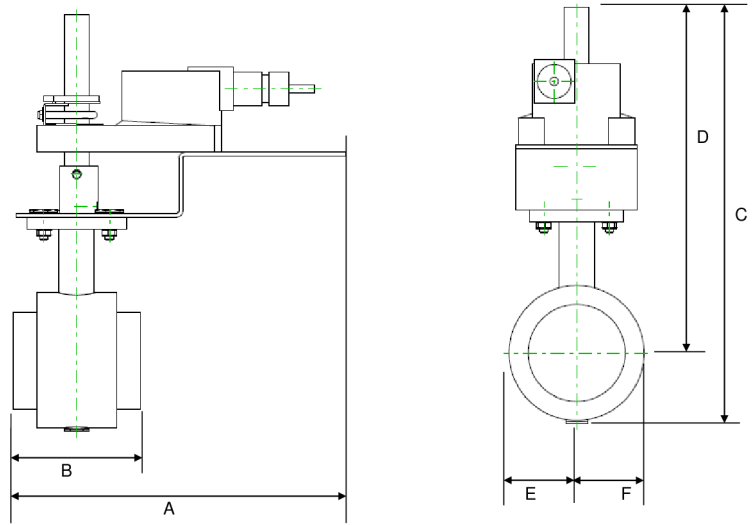
Dimensions

Type	DN
F680VIC	80



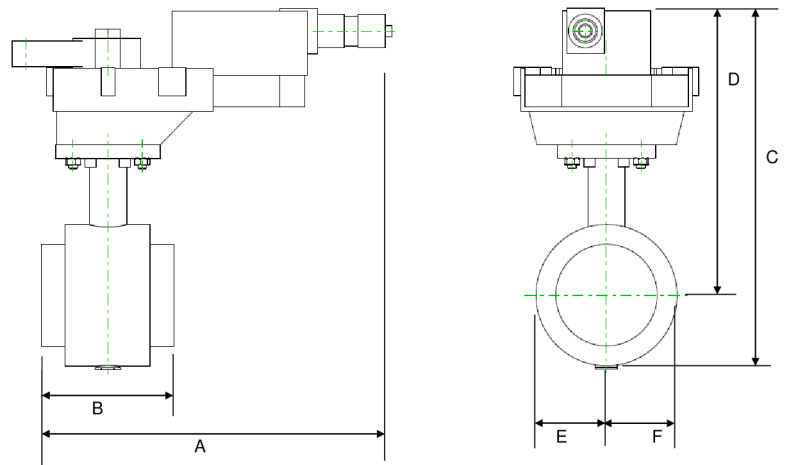
2*AF

A	B	C	D	E	F
17.6" [448]	3.8" [97]	17.8" [451]	14.3" [363]	2.3" [58]	2.3" [58]



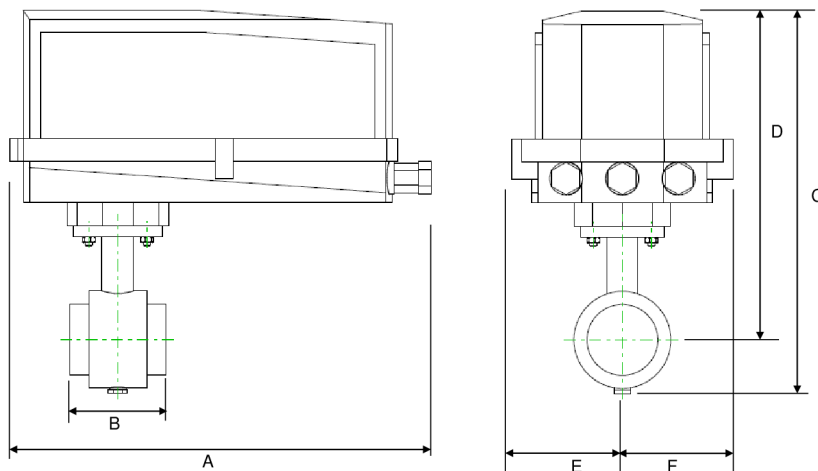
GK

A	B	C	D	E	F
9.9" [251]	3.8" [97]	12.3" [312]	10.5" [267]	2.3" [58]	2.3" [58]



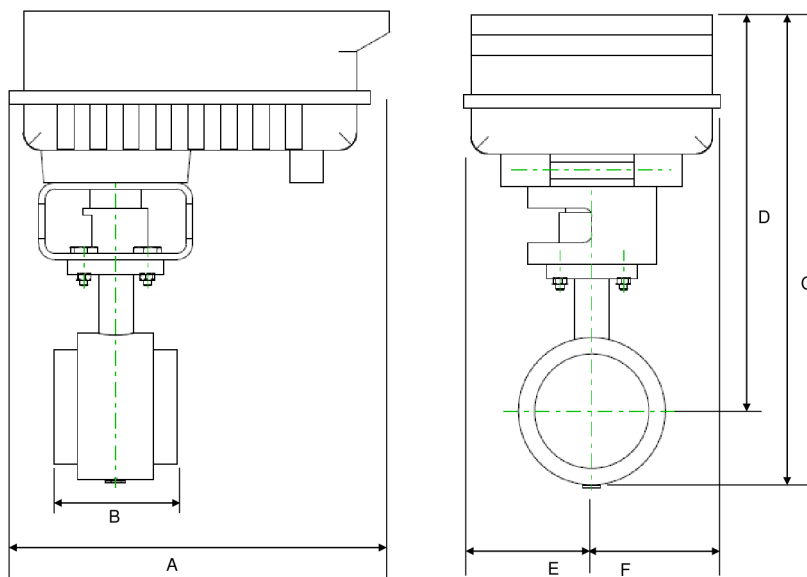
GR

A	B	C	D	E	F
9.9" [251]	3.7" [95]	10.2" [260]	8.1" [206]	2.3" [58]	2.3" [58]



GR N4

A	B	C	D	E	F
14.1" [358]	3.8" [97]	14.0" [356]	11.7" [298]	2.3" [58]	2.3" [58]



F6..VIC_PR

A	B	C	D	E	F
11.7" [298]	3.8" [97]	14.5" [368]	12.1" [307]	8.0" [203]	8.0" [203]



5-year warranty



Technical data

Electrical data	Nominal voltage	AC 100...240 V
	Nominal voltage frequency	50/60 Hz
	Power consumption in operation	6 W
	Power consumption in rest position	2 W
	Electrical Connection	1/2" conduit connector, screw terminals
	Overload Protection	electronic throughout 0...95° rotation
Functional data	Input Impedance	500 Ω
	Position feedback U	2...10 V
	Position feedback U note	Max. 0.5 mA
	Direction of motion motor	selectable with switch 0/1
	Manual override	external push button
	Angle of rotation	90°
	Angle of rotation note	adjustable with mechanical stop
	Running Time (Motor)	35 s / 90°
	Running time motor note	constant, independent of load
	Noise level, motor	60 dB(A)
Position indication	Mechanically, pluggable	
Safety data	Degree of protection IEC/EN	IP54
	Degree of protection NEMA/UL	NEMA 2
	Enclosure	UL Enclosure Type 2
	Agency Listing	cULus acc. to UL60730-1A/-2-14, CAN/CSA E60730-1:02, CE acc. to 2014/30/EU and 2014/35/EU; Listed to UL 2043 - suitable for use in air plenums per Section 300.22(c) of the NEC and Section 602.2 of the IMC
	Quality Standard	ISO 9001
	Ambient temperature	-22...122°F [-30...50°C]
	Storage temperature	-40...176°F [-40...80°C]
	Ambient humidity	Max. 95% RH, non-condensing
	Servicing	maintenance-free
	Materials	Housing material

Footnotes †Rated Impulse Voltage 4kV, Type of action 1, Control Pollution Degree 3.

Electrical installation

INSTALLATION NOTES

- Provide overload protection and disconnect as required.
- Actuators may be connected in parallel. Power consumption and input impedance must be observed.

- Only connect common to negative (-) leg of control circuits.
- A 500 Ω resistor (ZG-R01) converts the 4...20 mA control signal to 2...10 V.
- Actuators are provided with a numbered screw terminal strip instead of a cable.
- Meets cULus requirements without the need of an electrical ground connection.

Warning! Live electrical components!
 During installation, testing, servicing and troubleshooting of this product, it may be necessary to work with live electrical components. Have a qualified licensed electrician or other individual who has been properly trained in handling live electrical components perform these tasks. Failure to follow all electrical safety precautions when exposed to live electrical components could result in death or serious injury.

Wiring diagrams

2...10 V / 4...20 mA Control AC 100...240 V

