



5-year warranty

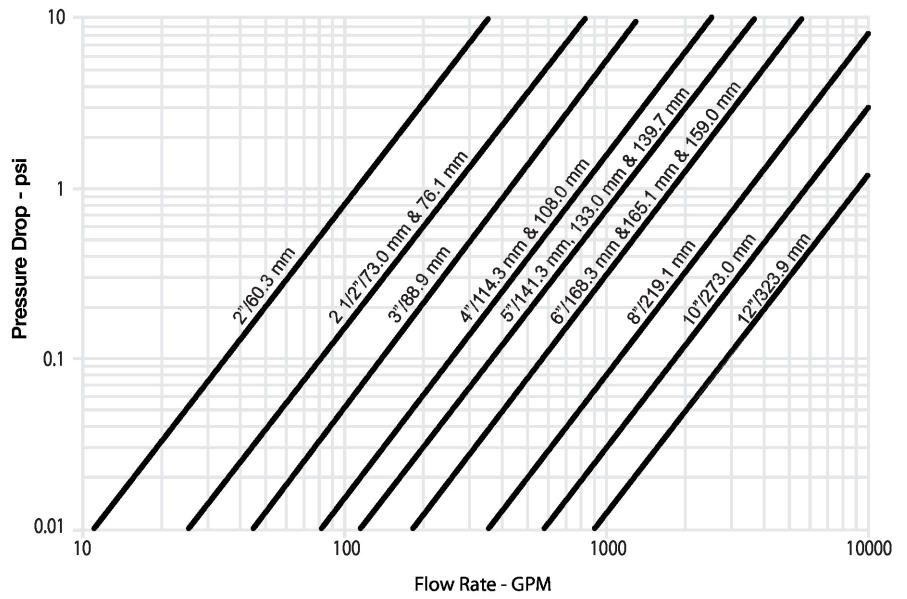


Technical data

<b>Functional data</b>	Valve Size	2.5" [65]
	Fluid	chilled or hot water, up to 60% glycol
	Fluid Temp Range (water)	-22...250°F [-30...120°C]
	Body Pressure Rating	ANSI Class Grooved AWWA, 300 psi
	Close-off pressure Δps	200 psi
	Flow characteristic	modified linear
	Servicing	maintenance-free
	Rangeability Sv	100:1
	Flow Pattern	3-way Mixing/Diverting
	Leakage rate	0%
	Controllable flow range	90° rotation
	Cv	260
	Maximum Velocity	20 FPS
	<b>Materials</b>	Valve body
Body finish		black alkyd enamel
Spindle		416 stainless steel
Spindle seal		fiberglass with TFE lining
Seat		EPDM
Pipe connection		grooved ANSI/AWWA (c606)
Disc		electroless nickel coated ductile iron
<b>Suitable actuators</b>	Non-Spring	GMB(X) PRB(X)
	Spring	(2*AFB(X))
	Electrical fail-safe	GKRB(X) PKRB(X)

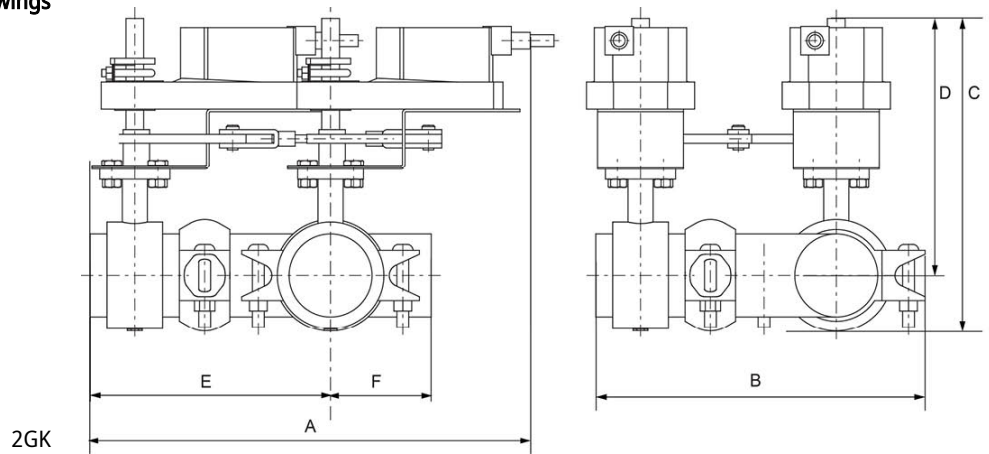
Product features

Flow/Mounting details



Dimensions

Dimensional drawings



Type

DN

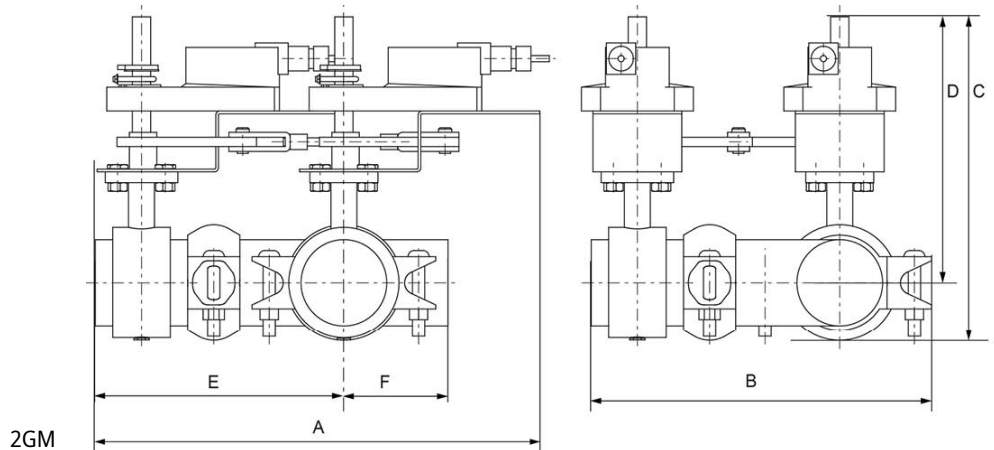
Weight [kg]  
[kg]

F765VIC

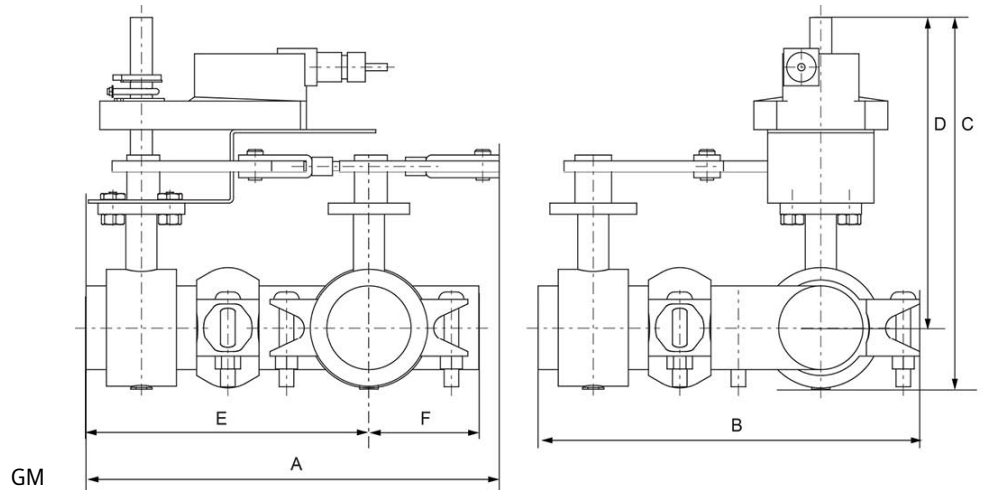
65

8.5

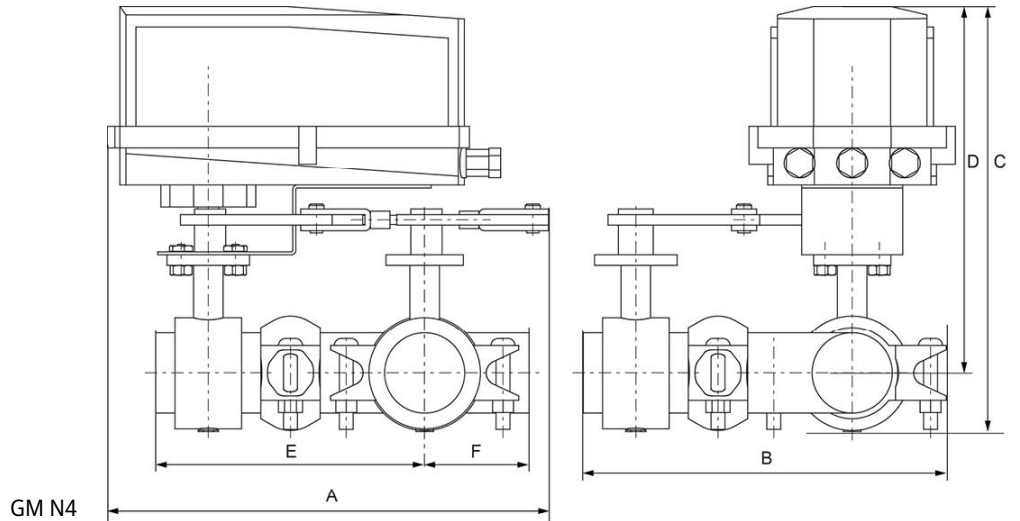
A	B	C	D	E	F
19.1" [485]	13.0" [330]	12.7" [322]	10.6" [269]	9.7" [246]	3.8" [97]



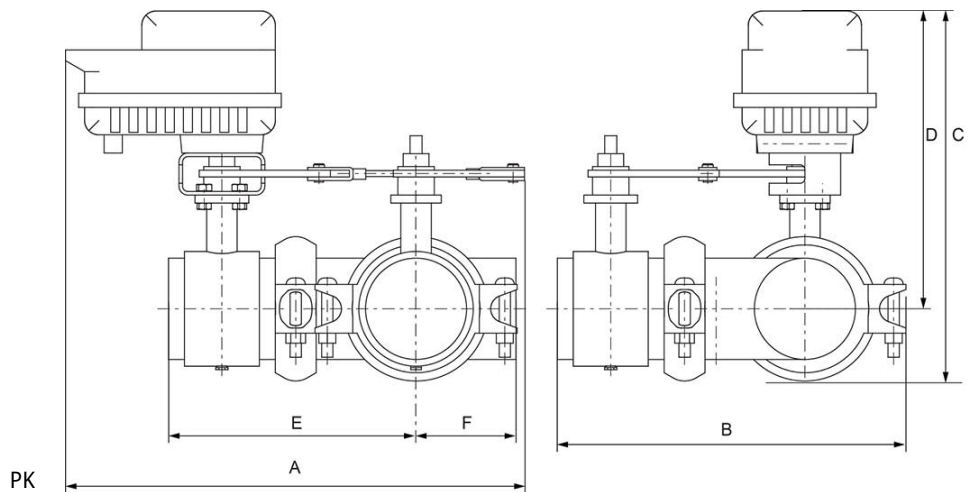
A	B	C	D	E	F
17.3" [440]	13.0" [330]	12.7" [322]	10.6" [269]	9.7" [246]	3.8" [97]



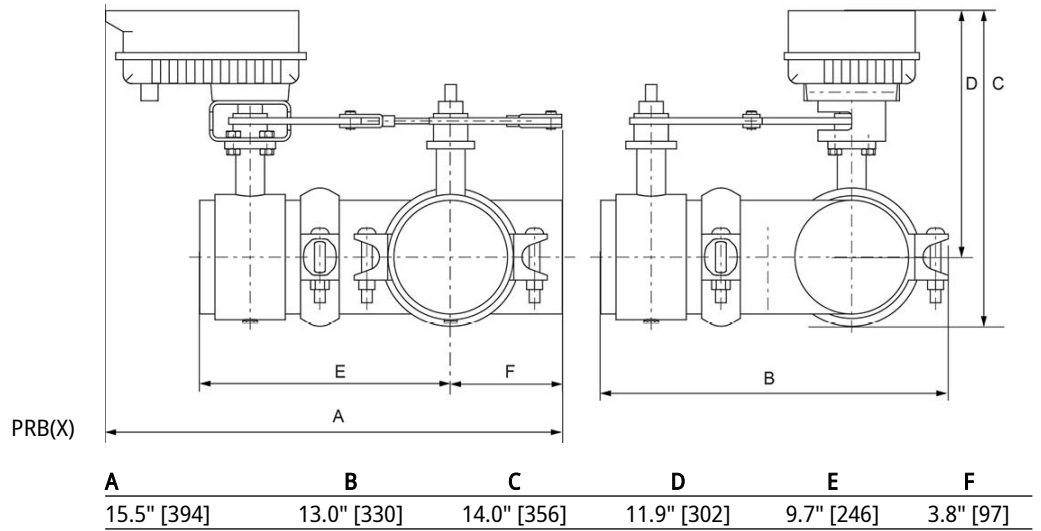
A	B	C	D	E	F
14.1" [358]	13.0" [330]	12.7" [322]	10.6" [269]	9.7" [246]	3.8" [97]



A	B	C	D	E	F
15.8" [401]	13.0" [330]	15.3" [389]	13.1" [334]	9.7" [246]	3.8" [97]



A	B	C	D	E	F
15.5" [394]	13.0" [330]	16.5" [419]	14.4" [366]	9.7" [246]	3.8" [97]





5-year warranty



## Technical data

<b>Electrical data</b>	Nominal voltage	AC 100...240 V
	Nominal voltage frequency	50/60 Hz
	Power consumption in operation	4 W
	Power consumption in rest position	2 W
	Transformer sizing	7 VA (class 2 power source)
	Electrical Connection	18 GA appliance cable, 3 ft [1 m], with 1/2" conduit connector
	Overload Protection	electronic throughout 0...90° rotation
<b>Functional data</b>	Direction of motion motor	selectable with switch 0/1
	Manual override	under cover
	Angle of rotation	90°
	Angle of rotation note	adjustable with mechanical stop
	Running Time (Motor)	35 s / 90°
	Running time motor note	constant, independent of load
	Noise level, motor	45 dB(A)
	Position indication	Mechanically, 5...20 mm stroke
<b>Safety data</b>	Degree of protection IEC/EN	IP66/67
	Degree of protection NEMA/UL	NEMA 4X
	Enclosure	UL Enclosure Type 4X
	Agency Listing	cULus acc. to UL60730-1A/-2-14, CAN/CSA E60730-1:02, CE acc. to 2014/30/EU and 2014/35/EU
	Quality Standard	ISO 9001
	Ambient temperature	-22...122°F [-30...50°C]
	Ambient temperature note	-40...50°C for actuator with integrated heating
	Storage temperature	-40...176°F [-40...80°C]
	Ambient humidity	Max. 100% RH
	Servicing	maintenance-free
<b>Materials</b>	Housing material	Die cast aluminium and plastic casing

**Footnotes** †Rated Impulse Voltage 800V, Type of action 1.AA, Control Pollution Degree 3

## Electrical installation

### INSTALLATION NOTES

#### Warning! Live electrical components!

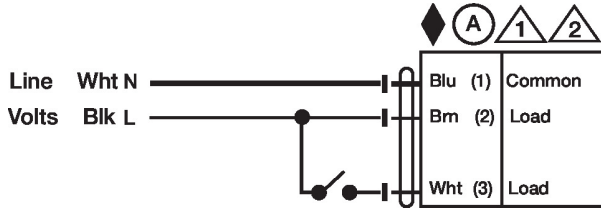
During installation, testing, servicing and troubleshooting of this product, it may be necessary to work with live electrical components. Have a qualified licensed electrician or other individual who has been properly trained in handling live electrical components perform these tasks.

Failure to follow all electrical safety precautions when exposed to live electrical components could result in death or serious injury.

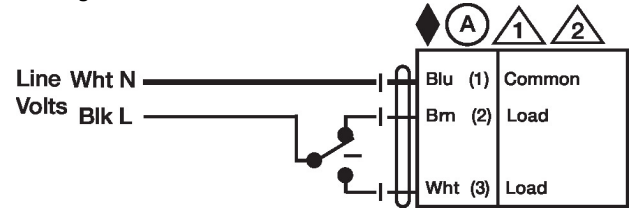
- Actuators with appliance cables are numbered.
- Provide overload protection and disconnect as required.
- Actuators may be connected in parallel. Power consumption and input impedance must be observed.
- Meets cULus requirements without the need of an electrical ground connection.

**Wiring diagrams**

On/Off AC 100...240 V



Floating Point AC 100...240 V



**Dimensions**