

- Nominal voltage AC 120 V
- Testing and status reporting initiated by a single command
- Suitable for 120 V actuators: FSTF, FSLF, FSNF, FSAF, FSAF..A



Technical data

Electrical data	Nominal voltage	AC 120 V
	Nominal voltage note	±10%
	Nominal voltage frequency	50/60 Hz
	Power consumption AC	0.4 VA
	Electrical Connection	Screw terminal (for 18 GA wire) - Use copper conductors only
Data bus communication	Protocol	BACnet Protocol Revision 14
	Firmware version	1.0.4
Functional data	Communicative control	BACnet MS/TP Modbus RTU
Safety data	Protection class IEC/EN	I, protective earth (PE)
	Protection class UL	I, protective earth (PE)
	Degree of protection IEC/EN	IP10
	Degree of protection NEMA/UL	NEMA 1
	EMC	UL according to 60730
	Low voltage directive	UL according to 60730
	Agency Listing	cULus 60730 BTL Certified
	Type of action	Type 1.C
	Overvoltage category	III
	Rated impulse voltage supply	5 kV
	Pollution degree	3
	Ambient humidity	Max. 95% RH, non-condensing
	Ambient temperature	-4.0...122°F [-20...50°C]
	Storage temperature	-40...176°F [-40...80°C]
Servicing	maintenance-free	
Weight	Weight	3 lb [1.4 kg]

Safety notes



- The FSKN is not to be used in smoke control systems for any safety function. It is not UL 864 UUKL listed. It is an interface for testing containment dampers per Chapter 7 of the IBC and IFC only.
- See FSKN Application Guide at www.belimo.com/us/shop/en_US/Actuators/Fire-&Smoke-Actuators/FSKN120-BAC

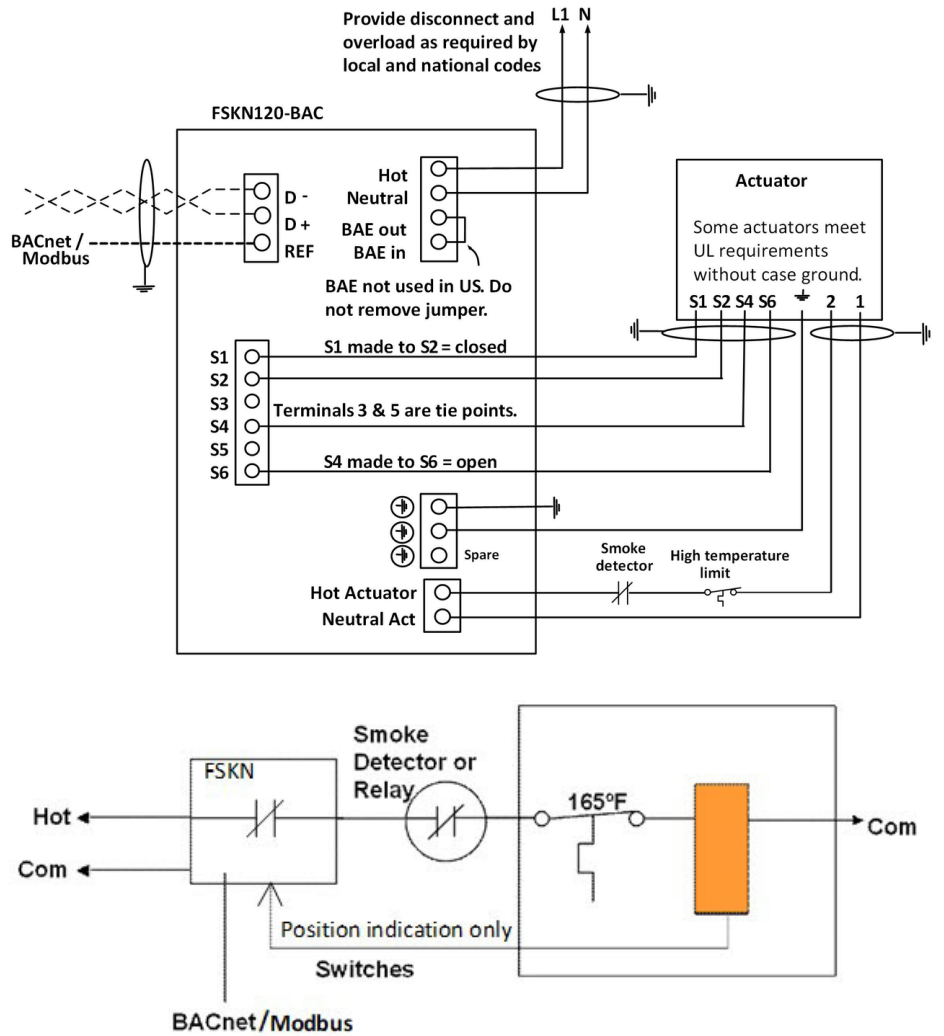
Product features

Application The FSKN120-BAC is surface mounted on or adjacent to a spring closed actuated damper and connected to any BACnet or Modbus control system network.

For position indication actuator auxiliary switches, magnetic switches, or damper blade switches are connected to the FSKN. Individual SPST switches at both the damper open and damper closed positions are employed.

The FSKN relay is normally closed. When not performing any network commands it delivers power to the actuator through any other relay or safety control. If any failure of the FSKN, BACnet controller, or network connections occurs this allows normal operation.

Electrical installation





For initial start-up and LED indications see
 → [FSKN Installation Instructions](#)

For BACnet or Modbus programming see
 → [FSKN BACnet and Modbus Information](#)

For wiring diagrams for various other electrical arrangements see
 → [FSKN Application Guide](#)

Actuator power draws (1)

Model	VA	Watts	End stop VA 10 sec
FSTF120/230 (-S)	3.5	2	3.5 / 9
FSLF120 (-S)	18	15	27
FSNF120 (-S)	27	22	55
FSAF120A/230 (-S)	30	24	47 / 54

(1) If local fusing or transformer breakers are installed see actuator data sheet for precautions in sizing.

Dimensions

