

Feedback potentiometer for damper actuators and rotary actuators

- Nominal resistance 5 k Ω
- add-on


Technical data

Electrical Data	Nominal resistance	5 k Ω	
	Tolerance	3046	
	Loading capacity	9269	
	Linearity	9271	
	Resolution	9270	
	Residual resistance	Max. 5% on both sides	
	Connection feedback potentiometer	cable 1 m, 3 x 0.75 mm ²	
	Safety	Protection class IEC/EN	III safety extra-low voltage (selv)
		Protection class UL	UL Class 2 Supply
Degree of protection IEC/EN		IP54	
Degree of protection NEMA/UL		NEMA 2, UL Enclosure Type 2	
EMC		CE according to 2014/30/EU	
Certification IEC/EN		IEC/EN 60730-1 and IEC/EN 60730-2-14	
Certification UL		cULus according to UL60730-1A, UL 60730-2-14 and CAN/CSA E60730-1:02	
Mode of operation		Type 1	
Control pollution degree		3	
Ambient temperature		-22...122 °F [-30...50 °C]	
Non-operating temperature	-40...176 °F [-40...80 °C]		
Ambient humidity	max. 95% RH non-condensing		
Maintenance	maintenance free		
Weight	Weight	0.19 kg	
Housing colours	Housing cover	4401	
	Housing base	4401	

Safety Notes

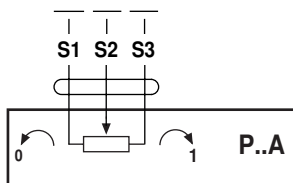
- The device must not be used outside the specified field of application, especially not in aircraft or in any other airborne means of transport.
- Only authorised specialists may carry out installation. All applicable legal or institutional installation regulations must be complied during installation.
- The device may only be opened at the manufacturer's site. It does not contain any parts that can be replaced or repaired by the user.
- Cables must not be removed from the device.
- The device contains electrical and electronic components and must not be disposed of as household refuse. All locally valid regulations and requirements must be observed.

Product features

- Mode of operation** A carrier plate uses adaption to make a positive fit on the spindle clamp (damper actuators) or on the position indication (rotary actuators) and transfers the position directly to the feedback potentiometer.
- Application** The feedback potentiometer unit is used for modulating damper control in connection with controllers with fixed feedback. The feedback potentiometers can also be used in conjunction with commercially available systems for damper position indication or as positioners for parallel running actuators.
- Simple direct mounting** The feedback potentiometers are attached directly by the spindle clamp (damper actuators) or on the position indication (rotary actuators). The guiding grooves between the housing and the switch ensure a tightly sealing fit.

Electrical installation

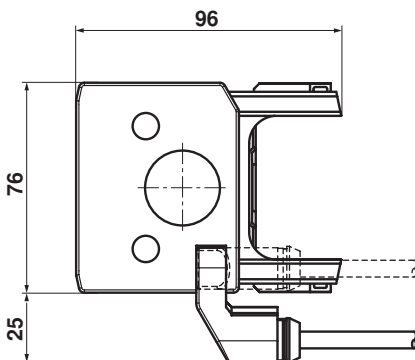
Wiring diagrams



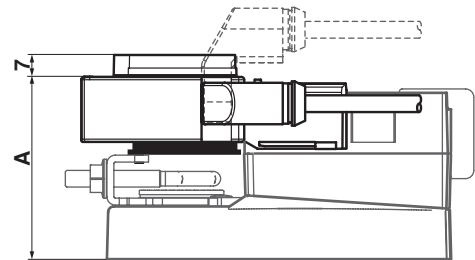
Cable colours:
 S1 = violet
 S2 = red
 S3 = white

Operating Controls and Indicators

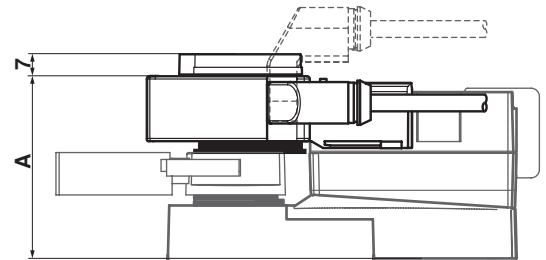
Dimensional drawings



	A	A
TM..A.., LM..A..	66	LMQ..A.. 80
NM..A..	69	NMQ..A.. 83
SM..A..	71	SMQ..A.. 89
SMD..A..	71	NKQ..A.. 87
GM..A..	78	GK..A.. 94



	A	A
TR..A.., LR..A..	66	LRQ..A.. 80
NR..A..	69	NRQ..A.. 83
SR..A..	71	GRK..A.. 94
GR..A..	78	



	A
DR..A..	78

