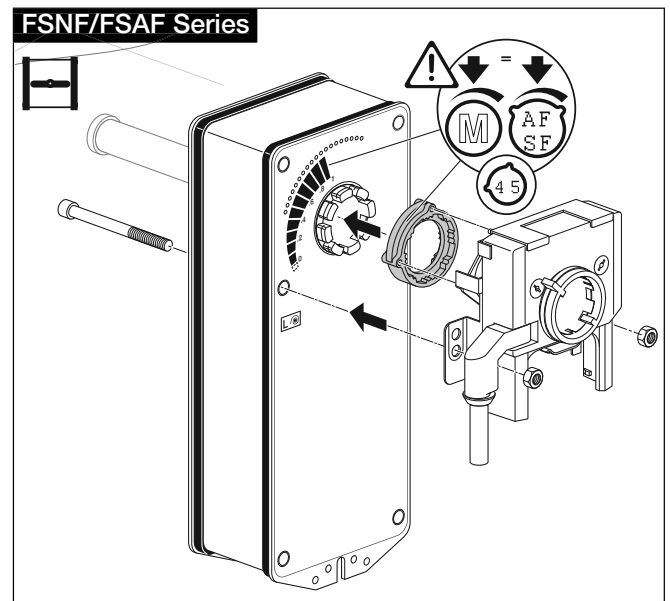
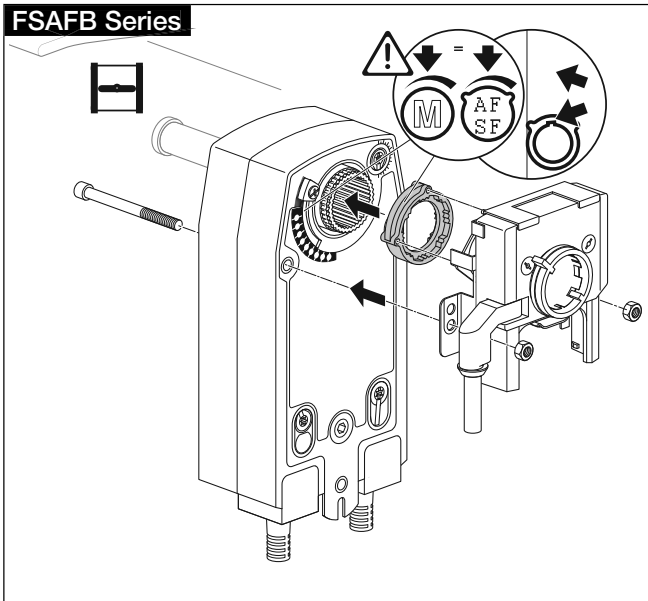


# Mounting Instructions for S2A-F US Auxiliary Switch to Fire & Smoke Series Actuators

**NOTE:** Before starting this assembly be sure the actuator is disconnected from power and fully returned to its fail-safe position.

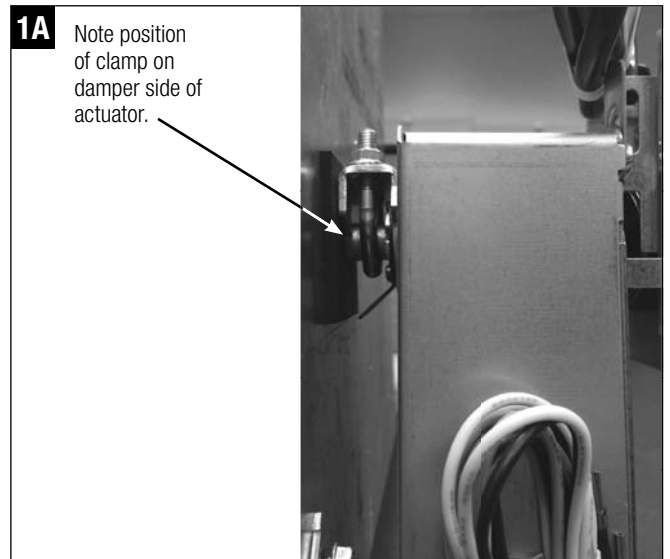
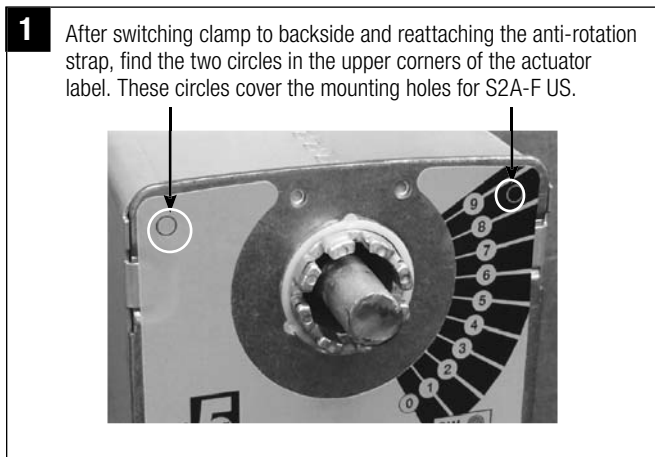


See Page 2 for Wiring Diagram

## Mounting Instructions for FSLF Series Actuators

Use of S2A-F US auxiliary switch with FSLF series actuators only possible with FSLF's having a production date code 2014-04-21 or after. Check the actuator label for date code.

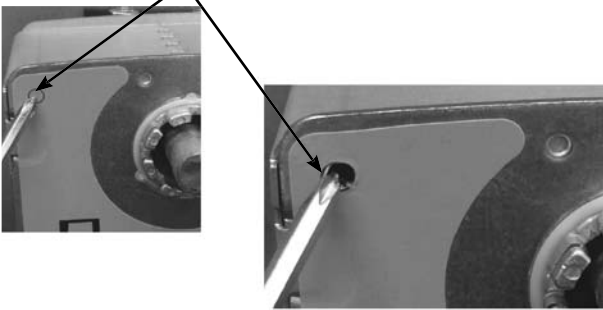
**NOTE:** Before starting this assembly be sure the actuator is disconnected from power and fully returned to its fail-safe position.



Continued on Page 2

# Mounting Instructions for S2A-F US Auxiliary Switch to FSLF Series Actuators

**2** Poke through label at each circle to expose both S2A-F US mounting holes.



**4A** Note position of hollow shaft adapter for use on FSLF actuator.



**3** Within the accessory kit, find:

Hollow Shaft Adapter (LF)

Conduit Connector

Position Indicator

M4 x 8 Self Threading Screws (2)



**NOTE:** Other than the items indicated above, the additional hollow shaft adapters, screws and nuts included in this kit are used with other F&S series actuators (FSAF, FSNF, BF Series) and are not used in this FSLF assembly.

**5** After assuring proper position and alignment, tighten both M4 screws. Snap-on the Conduit Connector and Position Indicator.



Mechanical assembly is complete.

Continue with wiring connections for electrical function; test for proper operation when complete.

**4** Orient S2A-F US 180° to the FSLF actuator, insert the hollow shaft adapter in place on S2A-F US, position over the damper shaft and interlock to the hollow axle. Next, locate bracket holes over the exposed mounting holes in actuator cover, start and secure each M4 self threading screw.

Note the orientation of S2A-F US switch to the FSLF actuator



## Wiring Diagram for S2A-F US

