



5-year warranty



Technical data

| | | |
|------------------------|-------------------------------------|--|
| Electrical data | Nominal voltage | AC/DC 24 V |
| | Nominal voltage frequency | 50/60 Hz |
| | Power consumption in operation | 2.5 W |
| | Power consumption in rest position | 1 W |
| | Power consumption for wire sizing | 4 VA |
| | Transformer sizing | 4 VA (class 2 power source) |
| | Auxiliary switch | 1 x SPDT, 3 A resistive (0.5 A inductive) @ AC 250 V, adjustable 0...95° |
| | Switching capacity auxiliary switch | 3 A resistive (0.5 A inductive) @ AC 250 V |
| | Electrical Connection | (2) 18 GA appliance cables with 1/2" conduit connectors, 3 ft [1 m], |
| | Overload Protection | electronic throughout 0...95° rotation |
| Electrical Protection | actuators are double insulated | |
| Functional data | Torque motor | 22 in-lb [2.5 Nm] |
| | Direction of motion motor | selectable with switch 0/1 |
| | Direction of motion fail-safe | reversible with cw/ccw mounting |
| | Angle of rotation | Max. 95° |
| | Angle of rotation note | adjustable with mechanical stop |
| | Running Time (Motor) | 95 s / |
| | Running time motor note | constant, independent of load |
| | Running time fail-safe | <25 s @ -4...122°F [-20...50°C], <60 s @ -22°F [-30°C] |
| | Noise level, motor | 35 dB(A) |
| | Noise level, fail-safe | 62 dB(A) |
| Shaft Diameter | 1/4...1/2" round, centers on 1/2" | |
| Position indication | Mechanical | |
| Safety data | Degree of protection IEC/EN | IP42 |
| | Degree of protection NEMA/UL | NEMA 2 |
| | Enclosure | UL Enclosure Type 2 |
| | Agency Listing | cULus acc. to UL60730-1A/-2-14, CAN/CSA E60730-1:02, CE acc. to 2014/30/EU and 2014/35/EU; Listed to UL 2043 - suitable for use in air plenums per Section 300.22(c) of the NEC and Section 602.2 of the IMC |
| | Quality Standard | ISO 9001 |
| | Ambient temperature | -22...122°F [-30...50°C] |
| | Storage temperature | -40...176°F [-40...80°C] |
| | Ambient humidity | Max. 95% RH, non-condensing |
| | Servicing | maintenance-free |
| | Weight | Weight |

Materials Housing material UL94-5VA

Footnotes †Rated Impulse Voltage 800V, Type of Action 1.AA.B, Control Pollution Degree 3.

Product features

Application For modulation or On/Off, fail-safe control of dampers in HVAC systems. Actuator sizing should be done in accordance with the damper manufacturer's specifications. The actuator is mounted directly to a damper shaft from 1/4" up to 1/2" in diameter by means of its universal clamp, 1/2" shaft centered at delivery. A crank arm and several mounting brackets are available for applications where the actuator cannot be direct coupled to the damper shaft. Control is floating point from a triac or relay, or On/Off from an auxiliary contact on a fan motor contactor, controller or manual switch.

Operation The TF series actuators provide true spring return operation for reliable fail-safe application and positive close-off on air tight dampers. The spring return system provides consistent torque to the damper with, and without, power applied to the actuator. The TF series provides 95° of rotation and is provided with a graduated position indicator showing 0 to 95°. The TF uses a brushless DC motor which is controlled by an Application Specific Integrated Circuit (ASIC) and a microprocessor. The microprocessor provides the intelligence to the ASIC to provide a constant rotation rate and to know the actuator's exact fail-safe position. The ASIC monitors and controls the brushless DC motor's rotation and provides a digital rotation sensing function to prevent damage to the actuator in a stall condition. The actuator may be stalled anywhere in its normal rotation without the need of mechanical end switches. Power consumption is reduced in holding mode. The TF -S versions are provided with one built-in auxiliary switch. This SPDT switch is provided for safety interfacing or signaling, for example, for fan start-up. The switching function is adjustable between 0° and 95°.

Safety Note: Screw a conduit fitting into the actuator's bushing. Jacket the actuator's input and output wiring with suitable flexible conduit. Properly terminate the conduit in a suitable junction box.








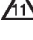

Typical specification Floating point, On/Off spring return damper actuators shall be direct coupled type which require no crank arm and linkage and be capable of direct mounting to a shaft up to a 1/2" diameter and center a 1/2" shaft. The actuators must be designed so that they may be used for either clockwise or counter clockwise fail-safe operation. Actuators shall have an external direction of rotation switch to reverse control logic. Actuators shall use a brushless DC motor and be protected from overload at all angles of rotation. If required, one SPDT auxiliary switch shall be provided having the capability of being adjustable. Actuators with auxiliary switch must be constructed to meet the requirements for Double Insulation so an electrical ground is not required to meet agency listings. Run time shall be constant and independent of torque. Actuators shall be cULus listed, have a 5 year warranty, and be manufactured under ISO 9001 International Quality Control Standards. Actuators shall be as manufactured by Belimo.

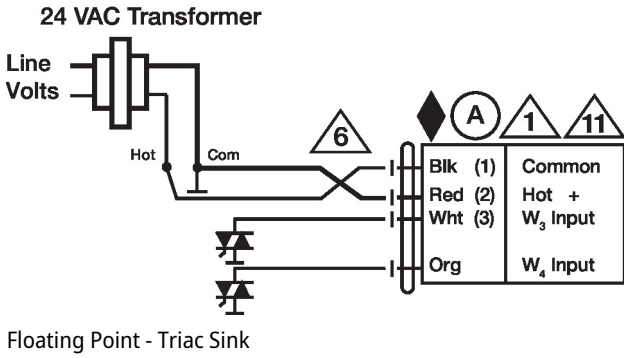
Accessories

| Electrical accessories | Description | Type |
|------------------------|---|----------|
| | Auxiliary switch, mercury-free | P475 |
| | Auxiliary switch, mercury-free | P475-1 |
| | Signal simulator, Power supply AC 120 V | PS-100 |
| | Cable conduit connector 1/2" | TF-CC US |
| | Transformer, AC 120 V to AC 24 V, 40 VA | ZG-X40 |

| Mechanical accessories | Description | Type |
|------------------------|--|---------------|
| | Shaft extension 170 mm Ø10 mm for damper shaft Ø 6...16 mm | AV6-20 |
| | Position indicator for TFB(X) | IND-TF |
| | Shaft clamp for TFB(X) | K8 US |
| | Ball joint suitable for damper crank arm KH8 / KH10, Multipack 10 pcs. | KG10A |
| | Ball joint suitable for damper crank arm KH8, Multipack 10 pcs. | KG6 |
| | Ball joint suitable for damper crank arm KH8, Multipack 10 pcs. | KG8 |
| | Damper crank arm Slot width 8.2 mm, for Ø1.05" | KH12 |
| | Damper crank arm Slot width 6.2 mm, clamping range Ø10...18 mm | KH6 |
| | Damper crank arm Slot width 8.2 mm, clamping range Ø10...18 mm | KH8 |
| | TFB(X) crankarm with 5/16" slot. | KH-TF US |
| | TFB(X) crankarm with 1/4" slot. | KH-TF-1 US |
| | Screw fastening kit | SB-TF |
| | Push rod for KG10A ball joint 36" L, 3/8" diameter | SH10 |
| | Push rod for KG6 & KG8 ball joints (36" L, 5/16" diameter). | SH8 |
| | Anti-rotation bracket TF/NKQ/AM/NM/LM. | TF-P |
| | Wrench 0.32 in and 0.39 in [8 mm and 10 mm] | TOOL-06 |
| | Angle of rotation limiter, with end stop | ZDB-TF |
| | Mounting bracket for TFB(X) | ZG-113 |
| | Damper clip for damper blade, 3.5" width. | ZG-DC1 |
| | Damper clip for damper blade, 6" width. | ZG-DC2 |
| | Shaft extension for 3/8" diameter shafts (4" L). | ZG-LMSA-1 |
| | Shaft extension for 1/2" diameter shafts (5" L). | ZG-LMSA-1/2-5 |
| | TFB(X) crankarm adaptor kit (includes ZG-113). | ZG-TF112 |
| | TFB(X) crankarm adaptor kit (T bracket included). | ZG-TF2 |
| | Mounting kit for TFB(X) | ZG-TF3 |
| | Weather shield 330x203x152 mm [13x8x6"] (LxBxH) | ZS-100 |
| | Base plate, for ZS-100 | ZS-101 |
| | Weather shield 406x213x102 mm [16x8-3/8x4"] (LxWxH) | ZS-150 |

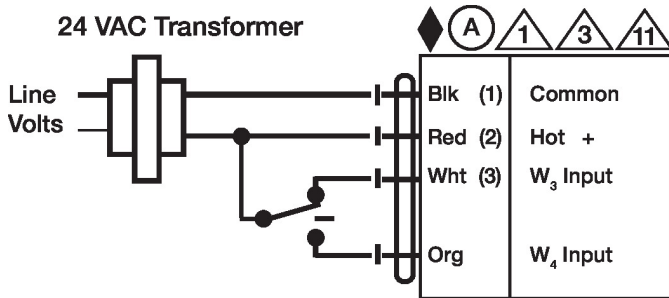
Electrical installation

-  **Warning! Live electrical components!**
During installation, testing, servicing and troubleshooting of this product, it may be necessary to work with live electrical components. Have a qualified licensed electrician or other individual who has been properly trained in handling live electrical components perform these tasks. Failure to follow all electrical safety precautions when exposed to live electrical components could result in death or serious injury.
-  Meets cULus requirements without the need of an electrical ground connection.
-  Apply only AC line voltage or only UL-Class 2 voltage to the terminals of auxiliary switches. Mixed or combined operation of line voltage/safety extra low voltage is not allowed.
-  Actuators with appliance cables are numbered.
-  Provide overload protection and disconnect as required.
-  Actuators may also be powered by DC 24 V.
-  Actuators Hot wire must be connected to the control board common. Only connect common to neg. (-) leg of control circuits. Terminal models (-T) have no-feedback.
-  Actuators may be connected in parallel if not mechanically linked. Power consumption and input impedance must be observed.
-  One built-in auxiliary switch (1x SPDT), for end position indication, interlock control, fan startup, etc.

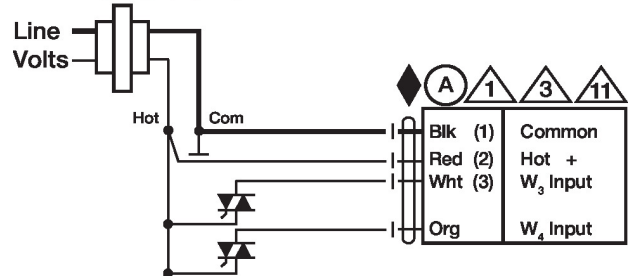


Wiring diagrams

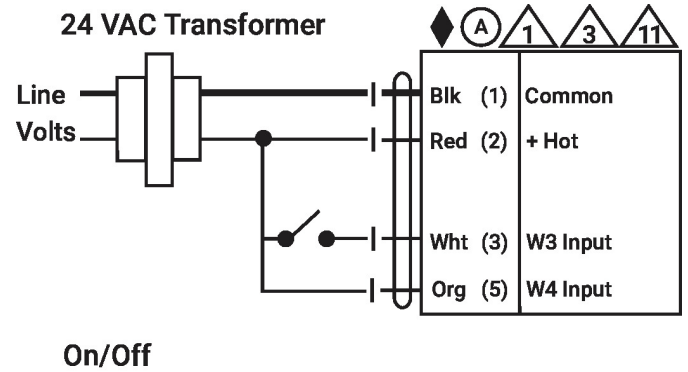
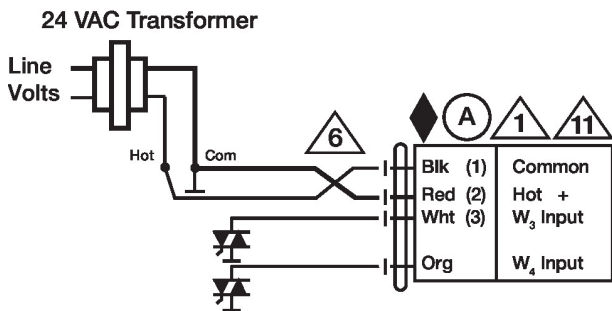
Floating Point



Floating Point - Triac Source
24 VAC Transformer



Floating Point - Triac Sink



Dimensions

