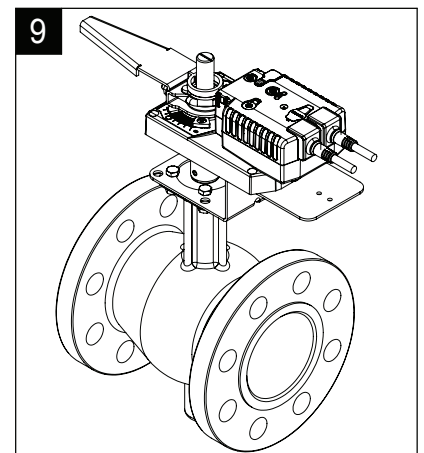
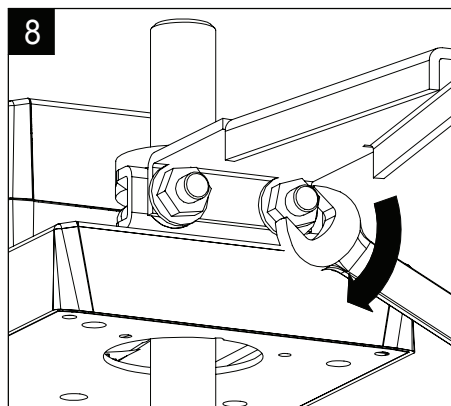
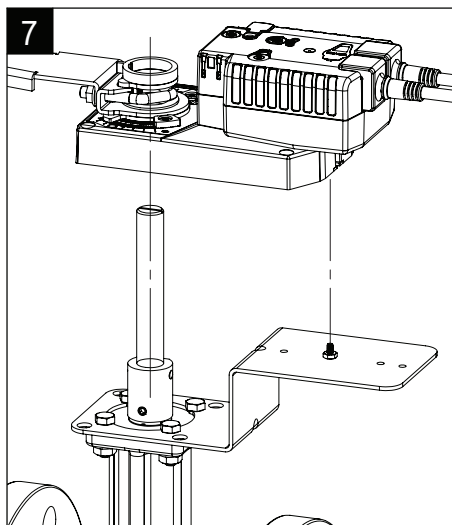
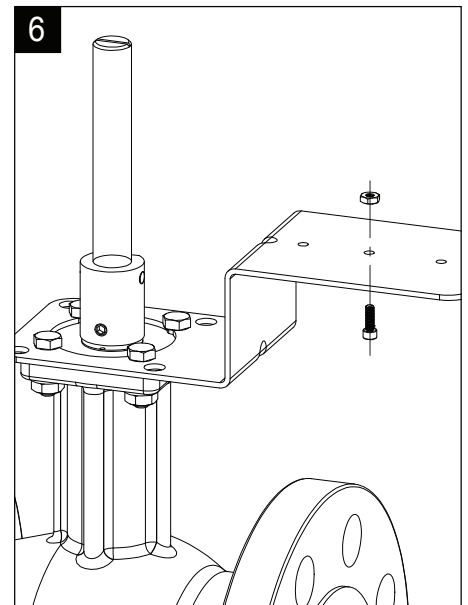
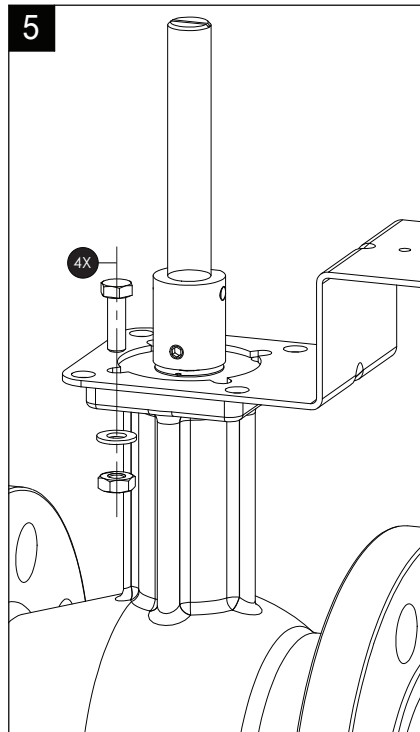
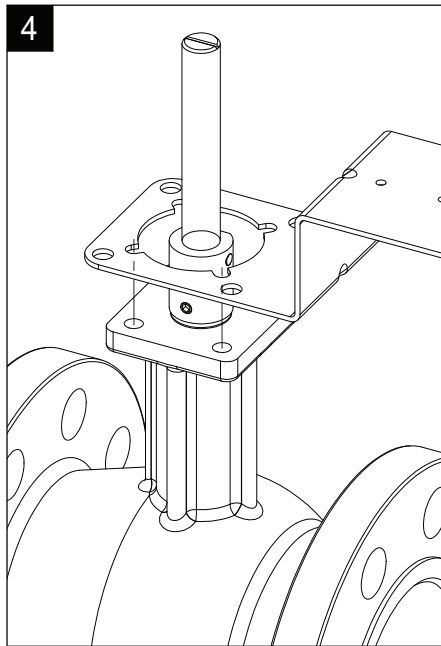
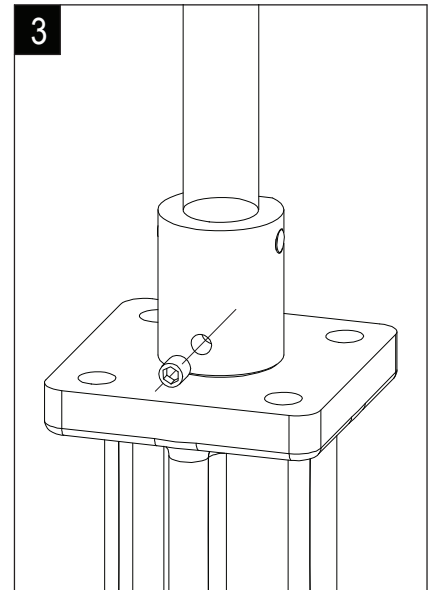
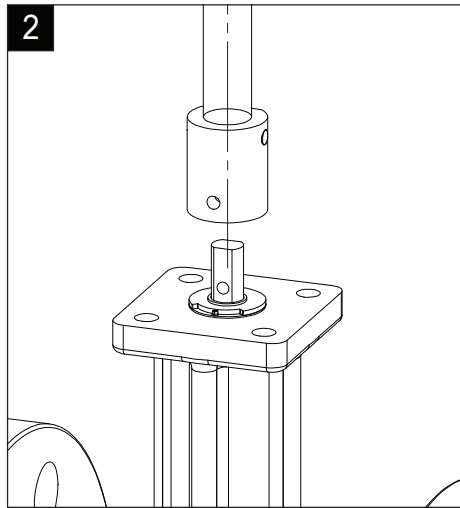
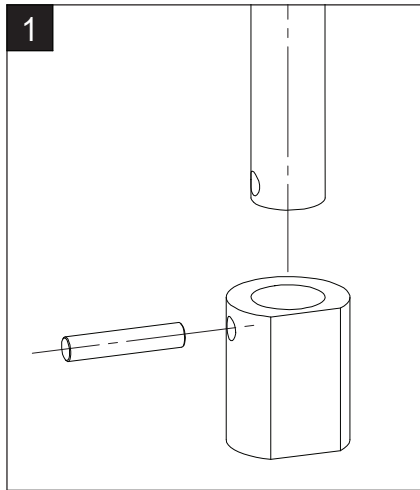
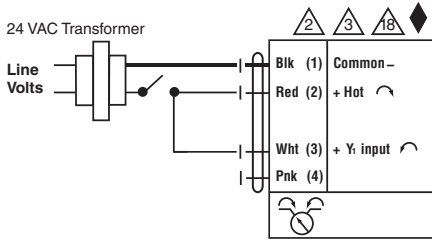


71495-00001

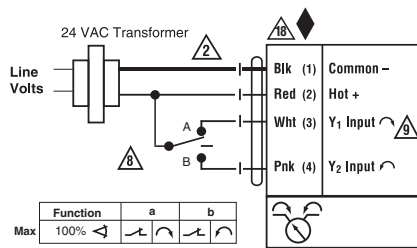
GK-X1 Actuators with B6 Flanged V Ball Valves



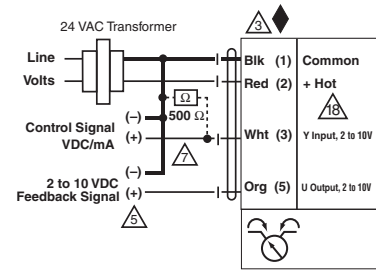
Electronic Fail-Safe Actuator with -3 and -SR



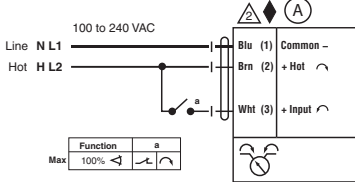
On/Off



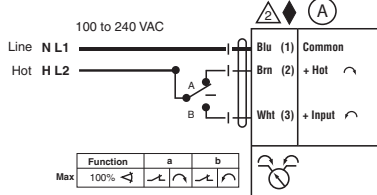
Floating Point



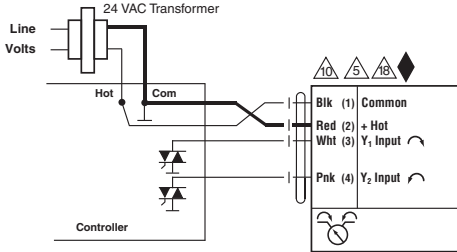
VDC / 4 to 20 mA



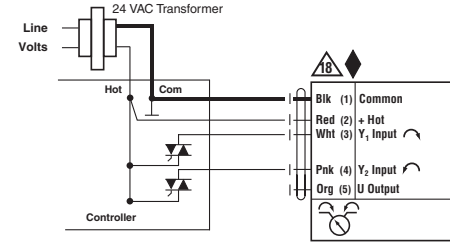
On/Off



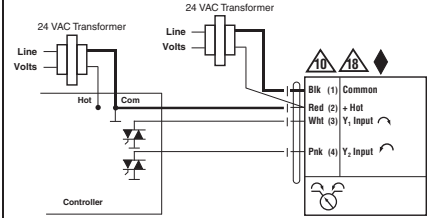
Floating Point



Triac Sink

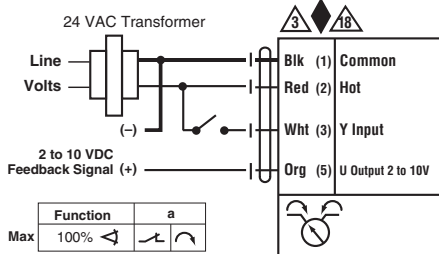


Triac Source

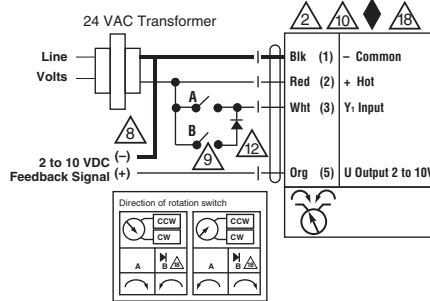


Triac Sink with Separate Transformer

Electronic Fail-Safe Actuator with MFT



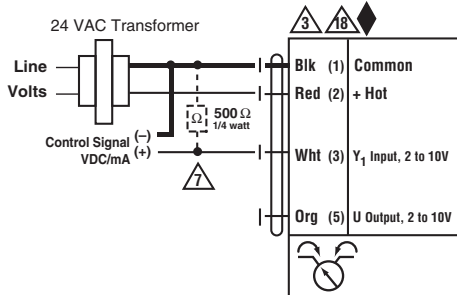
On/Off



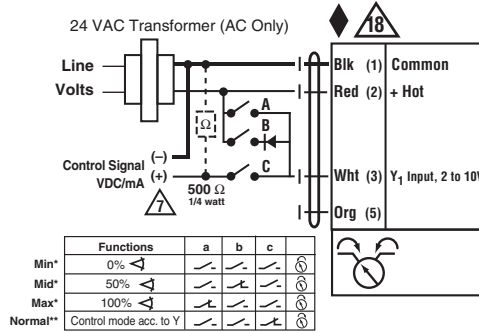
Floating Point

Notes:

- ◆ Meets cULus requirements without the need of an electrical ground connection
- Ⓐ Actuators with appliance cables are numbered.
- ② Actuators may be connected in parallel. Power consumption and input impedance must be observed.
- ③ Actuators may also be powered by 24 VDC.
- ⑤ Only connect common to neg. (-) leg of control circuits.
- ⑦ A 500 Ω resistor converts the 4 to 20 mA control signal to 2 to 10 VDC.
- ⑧ Control signal may be pulsed from either the Hot (Source) or Common (Sink) 24 VAC line.
- ⑨ Contact closures A & B also can be triacs. A & B should both be closed for the triac source and open for triac sink.
- ⑩ For triac sink the Common connection from the actuator must be connected to the Hot connection of the controller. Position feedback cannot be used with a triac sink controller. The actuator internal common reference is not compatible.
- ⑫ IN4004 or IN4007 diode. (IN4007 supplied, Belimo Part number 40155)
- ⑬ Actuators with plenum rated cable do not have numbers on wires; use color codes instead.



VDC / 4 to 20 mA

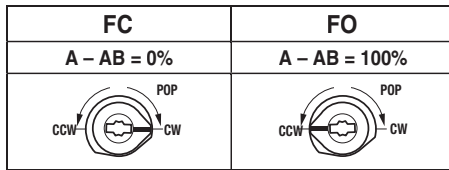


Override Control Min, Mid, Max Postions

* Default selectable 0-100%. See Configuration Data Sheet.
** Customizable. See Configuration Data Sheet.

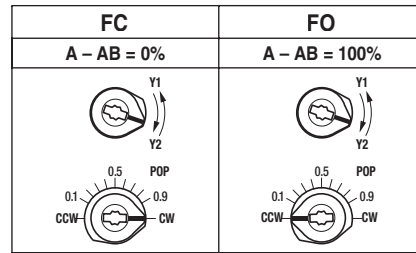
- BRN Brown
- Marron
- Brun
- Marron
- BLU Blue
- Azul
- Bleu
- Azul
- ORG Orange
- Anaranjado
- Orange
- Alaranjado
- PNK Pink
- Rosado
- Rosa
- Cor-de-ros
- WHT White
- Blanco
- Bianco
- Branco
- RED Red
- Rojo
- Rouge
- Vermeelho
- BLK Black
- Negro
- Noir
- Preto

Power-Off Position



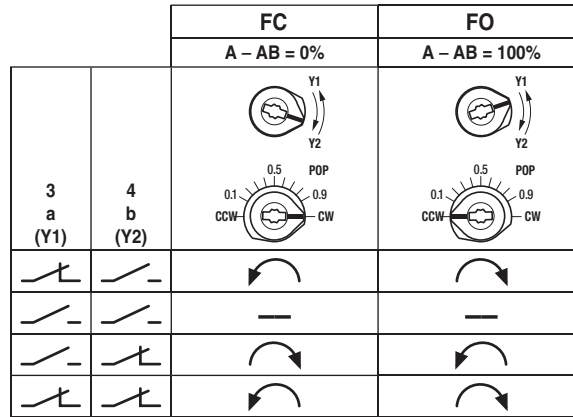
On/Off

24V AC/DC



-SR/-MFT

24V AC/DC



Floating Point

24V AC/DC