

---

# Series 1510

## Standard Design Pumps

Replacement Parts

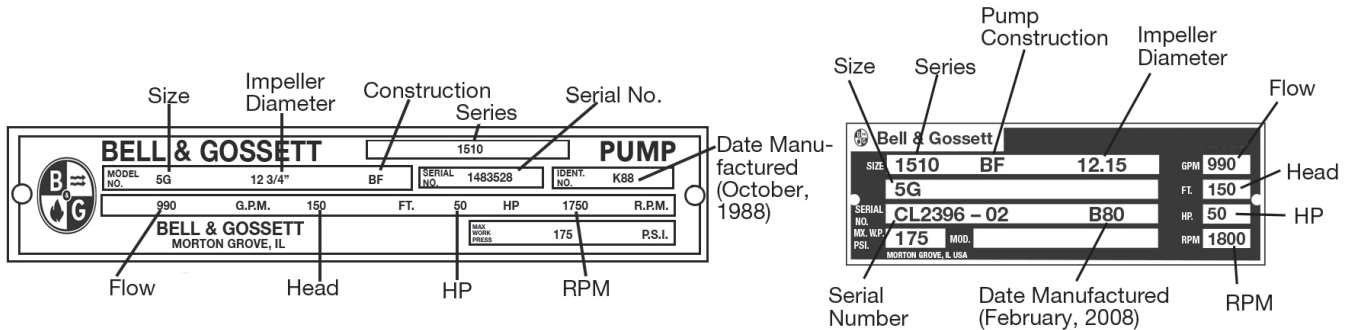
---

# INDEX

How to Use This Parts List . . . . .	3
Exploded Parts View of 1510 Standard Seal Design Pump . . . . .	4
Exploded Parts View of 1510 Bearing Frame Assembly . . . . .	4
Series 1510 Pump Bearing Frame Selection Chart . . . . .	5
Standard Size Designations - Series 1510 Standard Pumps . . . . .	6
11/4AB Pump Parts . . . . .	7
11/4AC Pump Parts . . . . .	7
11/2AB Pump Parts . . . . .	8
11/2AC Pump Parts . . . . .	9
2AB Pump Parts . . . . .	10
2AC Pump Parts . . . . .	10
21/2A Pump Parts . . . . .	11
21/2AB Pump Parts . . . . .	11
3AB Pump Parts . . . . .	12
3AC Pump Parts . . . . .	13
4AB Pump Parts . . . . .	14
4AC Pump Parts . . . . .	15
5A Pump Parts . . . . .	16
11/4BB Pump Parts . . . . .	17
11/4BC Pump Parts . . . . .	18
11/2BB & 11/2 BC Pump Parts . . . . .	19
2BB Pump Parts . . . . .	20
2BC Pump Parts . . . . .	21
21/2B Pump Parts . . . . .	22
21/2BB Pump Parts . . . . .	23
3BB Pump Parts . . . . .	24
3BC Pump Parts . . . . .	25
4BB Pump Parts . . . . .	26
4BC Pump Parts . . . . .	27
5BB Pump Parts . . . . .	28
5BC Pump Parts . . . . .	29
6BB & 6BC Pump Parts . . . . .	30
2CB Pump Parts . . . . .	31
3CB Pump Parts . . . . .	32
4CB Pump Parts . . . . .	33
5CB Pump Parts . . . . .	34
6CB Pump Parts . . . . .	35
2E Pump Parts . . . . .	36
3E Pump Parts . . . . .	37
4E Pump Parts . . . . .	38
5E Pump Parts . . . . .	39
6E Pump Parts . . . . .	40
2G Pump Parts . . . . .	41
3G Pump Parts . . . . .	42
4G Pump Parts . . . . .	43
4GB Pump Parts . . . . .	44
5G Pump Parts . . . . .	45
6G Pump Parts . . . . .	46
8G Pump Parts . . . . .	See CP-206-PL Parts List
Sleeve Bearing Frame Assembly - Exploded View and Parts List . . . . .	47
T.B Woods Coupling Selection Table. . . . .	48
Rexnord Omega Coupling Selection Table . . . . .	49
ANSI/OSHA Guard & Bracket Kit Selection Chart . . . . .	50

# How to use this PARTS LIST

The pump nameplate identifies the pump by pipe size, pump construction and impeller diameter as shown below. Pumps manufactured in 2001 and before have a nameplate similar to the nameplate below left. Pumps manufactured in 2001 and after have a nameplate similar to the one below right. Although the nameplates look different, they each display the same information.



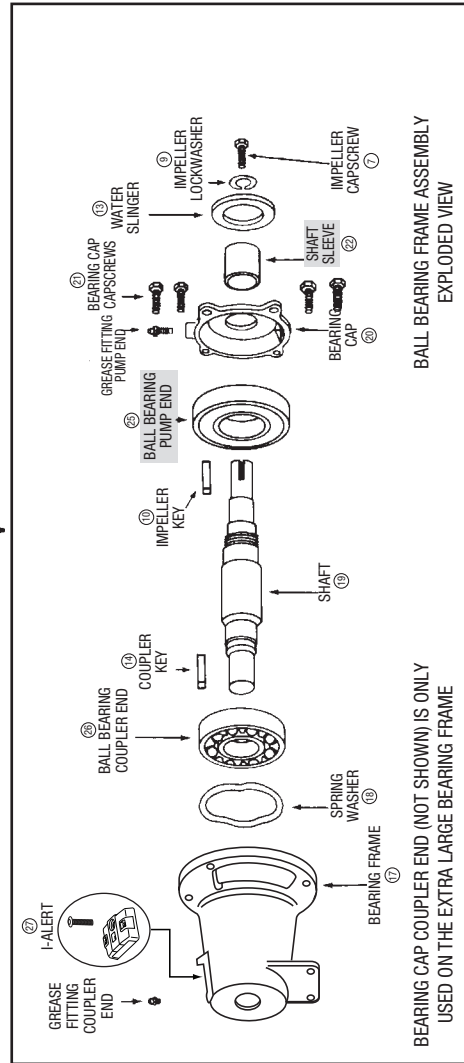
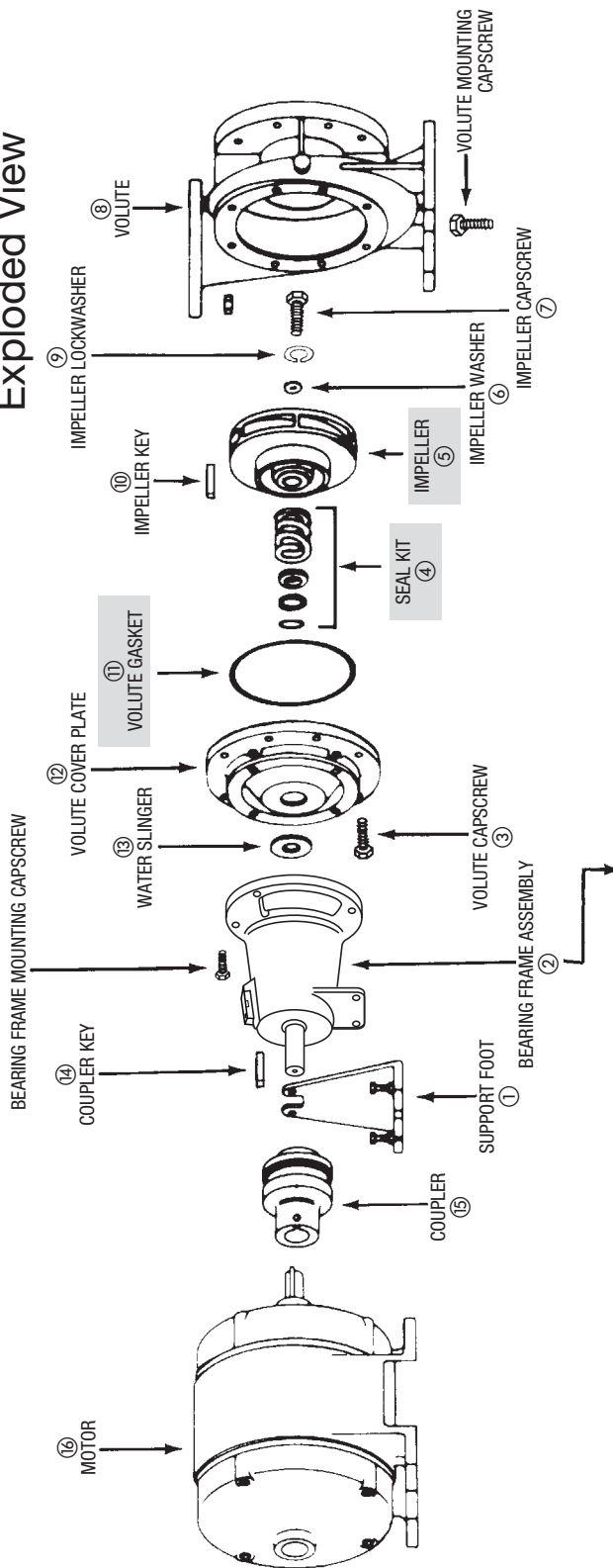
The nameplates above identify the pump in the example as a Series 1510, size 5G in bronze fitted (BF) construction. The impeller diameter is 12<sup>3</sup>/<sub>4</sub>", and the motor is 50 hp, 1750 RPM. The serial number specifically identifies the unit for future reference. **DO NOT REMOVE THE NAMEPLATE.** It is important when ordering replacement parts to furnish complete nameplate data.

The 1510 pump is furnished with both "Standard Seal" or "Stuffing Box" configuration. The "Standard Seal" pump has no seal designation after the Series number on the nameplate. If the example pump was of "Stuffing Box" configuration, the nameplate would show it to be a 1510-S, 1510-PF or 1510-D pump. Parts for "Stuffing Box" type pumps are covered under the CP-206H-PL parts list.

To ensure the correct parts are selected, use the following procedure:

1. Determine from the nameplate the pump size, seal configuration, pump construction and impeller diameter.
2. Measure shaft sleeve diameter at the seal.
3. Refer to the index for the page number of the parts breakdown for the specific size pump.
4. Find the proper column in the parts breakdown for the pump construction involved.
5. Select part numbers using the numbered drawings on page 4 for identification. Where shaft diameter affects parts selection, use the measurement secured in Step 2.
6. Bearing frames vary with motor frame sizes. Use the motor frame number (found on the motor nameplate) to select the proper bearing frame from the chart on page 5.

# SERIES 1510 Standard Seal Design Pump Exploded View



USED ON LARGE BEARING FRAMES ONLY  
MANUF. BEFORE JAN. 1995 (A69)  
BEARING LOCKWASHER P77375  
BEARING LOCKNUT P76922

BALL BEARING FRAME ASSEMBLY  
EXPLODED VIEW

BEARING CAP COUPLER END (NOT SHOWN) IS ONLY  
USED ON THE EXTRA LARGE BEARING FRAME

- Factory recommended  
spare parts.

# Series 1510 Pump Bearing Frame Selection Chart – Standard Seal – T Frame Motors

		1 1/4" Diameter Shaft at Seal												1 1/8" Diameter Shaft at Seal												2 1/8" Diameter Shaft at Seal				
		SMALL BEARING FRAME PART NO. 185011 (Bronze Fitted) 185012 (All Iron) 185013 (All Bronze)												LARGE BEARING FRAME PART NO. 185014 (Bronze Fitted) 185015 (All Iron) 185016 (All Bronze)												EXTRA LARGE BEARING FRAME* PART NO. 185320 (Bronze Fitted)				
Frame #	SIZE	56	143T	145T	182T	184T	213T	215T	254T	256T	213T	215T	254T	256T	284T	284TS	286T	286TS	324T	324TS	326T	326TS	364T	364TS	365T	365TS	404TS	405TS	444TS	445TS
1 1/4"AC	X	X	XX	XX	XX	XX	XX	XX	XX	XX	XX	XX	XX	XX	XX	XX	XX	XX	XX	XX	XX	XX	XX	XX	XX	XX	XX	XX	XX	XX
1 1/2"AC	X	X	XX	XX	XX	XX	XX	XX	XX	XX	XX	XX	XX	XX	XX	XX	XX	XX	XX	XX	XX	XX	XX	XX	XX	XX	XX	XX	XX	XX
2"AC	X	X	XX	XX	XX	XX	XX	XX	XX	XX	XX	XX	XX	XX	XX	XX	XX	XX	XX	XX	XX	XX	XX	XX	XX	XX	XX	XX	XX	XX
2 1/2"AB	X	X	XX	XX	XX	XX	XX	XX	XX	XX	XX	XX	XX	XX	XX	XX	XX	XX	XX	XX	XX	XX	XX	XX	XX	XX	XX	XX	XX	XX
3"AC	X	X	XX	XX	XX	XX	XX	XX	XX	XX	XX	XX	XX	XX	XX	XX	XX	XX	XX	XX	XX	XX	XX	XX	XX	XX	XX	XX	XX	XX
4"AC	X	X	XX	XX	XX	XX	XX	XX	XX	XX	XX	XX	XX	XX	XX	XX	XX	XX	XX	XX	XX	XX	XX	XX	XX	XX	XX	XX	XX	XX
5"A																														
1 1/2"BC	X	X	XX	XX	XX	XX	XX	XX	XX	XX	XX	XX	XX	XX	XX	XX	XX	XX	XX	XX	XX	XX	XX	XX	XX	XX	XX	XX	XX	XX
1 1/2"BC	X	X	XX	XX	XX	XX	XX	XX	XX	XX	XX	XX	XX	XX	XX	XX	XX	XX	XX	XX	XX	XX	XX	XX	XX	XX	XX	XX	XX	XX
2"BC	X	X	XX	XX	XX	XX	XX	XX	XX	XX	XX	XX	XX	XX	XX	XX	XX	XX	XX	XX	XX	XX	XX	XX	XX	XX	XX	XX	XX	XX
2 1/2"BB	X	X	XX	XX	XX	XX	XX	XX	XX	XX	XX	XX	XX	XX	XX	XX	XX	XX	XX	XX	XX	XX	XX	XX	XX	XX	XX	XX	XX	XX
3"BC	X	X	XX	XX	XX	XX	XX	XX	XX	XX	XX	XX	XX	XX	XX	XX	XX	XX	XX	XX	XX	XX	XX	XX	XX	XX	XX	XX	XX	XX
4"BC	X	X	XX	XX	XX	XX	XX	XX	XX	XX	XX	XX	XX	XX	XX	XX	XX	XX	XX	XX	XX	XX	XX	XX	XX	XX	XX	XX	XX	XX
5"BC	X	X	XX	XX	XX	XX	XX	XX	XX	XX	XX	XX	XX	XX	XX	XX	XX	XX	XX	XX	XX	XX	XX	XX	XX	XX	XX	XX	XX	XX
6"BC	X	X	XX	XX	XX	XX	XX	XX	XX	XX	XX	XX	XX	XX	XX	XX	XX	XX	XX	XX	XX	XX	XX	XX	XX	XX	XX	XX	XX	XX
2"E																														
3"E																														
4"E																														
5"E																														
6"E																														
2"G																														
3"G																														
4"GB																														
5"G																														
6"G																														

X FOR 1150 RPM OR 1750 RPM APPLICATIONS  
 XX FOR 3450 RPM APPLICATIONS  
 \* USED ON 6G PUMPS WITH IMPELLER DIAMETER LARGER THAN 12 1/2"

Above chart refers to current production pumps only

# STANDARD SIZE DESIGNATIONS

## SERIES 1510 STANDARD PUMPS

STANDARD SIZE	EQUIVALENT SIZE	IMPELLER NUMBER 5	IMPELLER DIAMETER	HP	RPM
*101T	1½AB	P47956 <sup>†</sup>	6¼"	1	1750
*102T	1½AB	P47952 <sup>†</sup>	6⅞"	1½	1750
*103T	1½BB	P78531	7¾"	2	1750
*104T	1½BB	P78528	8½"	3	1750
*105T	1½BB	P78523	9½"	5	1750
*106T	2½A	P49000 <sup>†</sup>	6¼"	2	1750
*106T-SB	2½A	P49000 <sup>†</sup>	6¾"	2	1750
*106TB	2½AB	P50717	6⅞"	2	1750
*107T	3AB	P78280 <sup>†</sup>	6¾"	3	1750
*107T-SB	3AB	P78280 <sup>†</sup>	6¾"	3	1750
*108T	2½B	P78525 <sup>†</sup>	8¼"	5	1750
*108T-SB	2½B	P78525 <sup>†</sup>	8¼"	5	1750
*108TB	2½BB	P50733	8¼"	5	1750
*109T	2½B	P78525 <sup>†</sup>	9½"	7½	1750
*109TB	2½BB	P50732	9½"	7½	1750
*1010T	4BB	P50550 <sup>†</sup>	7½"	5	1750
*1010TB	4AC	P50762	6⅞"	5	1750
*1011T	4BB	P50550 <sup>†</sup>	8⅞"	7½	1750
*1011TB	4BC	P50750	7¾"	7½	1750
*1012T	4BB	P50550 <sup>†</sup>	9⅞"	10	1750
*1012TB	4BC	P50749	8½"	10	1750

SB Indicates Sleeve Bearing Motor and Bearing Assembly.

\*Pump Obsolete. Some parts still available.

<sup>†</sup>Consult Factory for Delivery.

■ – Factory recommended spare parts.

## 1-1/4AB

ITEM NO.	DESCRIPTION (QTY)	PUMP CONSTRUCTION		
		BRONZE FITTED	BRONZE FITTED WITH WEAR RING	ALL IRON
8	Volute	N/A**	N/A**	N/A**
	Wear Ring	—	P46700	—
	Volute Drain Plug (4)	P39020	P39020	P39030
3	Volute Capscrew (8)	P40020	P40020	P40020
11	Volute Gasket	P57700	P57700	P57700
15	Coupling	See Coupling Selection Table, Page 48		
14	Coupling Key (Straight) Aug. 1989 (H89) & After	P49373	P49373	P49373
14	Coupling Key (Woodruff) July 1989 (G98) & Before	H32600	H32600	H32600
	For ANSI/OSHA Coupling Guard & Support Bracket Kit Selection, See Chart on Page 49			
5	Impeller (State Diameter) 7" Full Dia.	P46630†	P46630†	N/A**
6	Impeller Washer	P46380	P46380	P46381
12	Volute Coverplate	186482	186482	186482
4	Seal Kit Buna/Carbon/Ceramic	186862LF	186862LF	186860
4	Seal Kit EPR/Carbon/Tungsten Carbide	186861LF	186861LF	NONE
2	Bearing Frame Assembly	185011LF	185011LF	185012
17	Bearing Frame	P2001125	P2001125	P2001125
19	Shaft	P78927	P78927	P78927
20	Bearing Cap	P75606	P75606	P75606
25	Ball Bearing – Pump End	186002NG	186002NG	186002NG
26	Ball Bearing – Coupling End	186001NG	186001NG	186001NG
22	Stainless Steel Shaft Sleeve Kit - March 2014 (C41) & After	185141	185141	185141
22	Bronze Shaft Sleeve Kit - February 2014 (B41) & Before	185140LF	185140LF	NA
7	Impeller Capscrew	P52350	P52350	P52350
9	Impeller Lockwasher	J23874	J23874	J23874
10	Impeller Key (Straight) Aug. 1989 (H98) & After	P49369	P49369	P49369
10	Impeller Key (Woodruff) July 1989 (G98) & Before	H32500	H32500	H32500
18	Spring Washer	J92558	J92558	J92558
21	Bearing Cap Capscrew (4)	J92291	J92291	J92291
13	Water Slinger	P53550	P53550	P53550

## 1-1/4AC

ITEM NO.	DESCRIPTION (QTY)	PUMP CONSTRUCTION		
		BRONZE FITTED	BRONZE FITTED WITH WEAR RING	ALL IRON
8	Volute	P41612	P44141*	P41612
	Wear Ring	—	P46700	—
	Volute Drain Plug (4)	P39020	P39020	P39030
3	Volute Capscrew (8)	P40020	P40020	P40020
11	Volute Gasket	P57700	P57700	P57700
15	Coupling	See Coupling Selection Table, Page 48		
14	Coupling Key (Straight) Aug. 1989 (H98) & After	P49373	P49373	P49373
14	Coupling Key (Woodruff) July 1989 (G89) & Before	H32600	H32600	H32600
	For ANSI/OSHA Coupling Guard & Support Bracket Kit Selection, See Chart on Page 49			
5	Impeller (State Diameter) 7" Full Dia.	P50652	P50652	P50662†
6	Impeller Washer	P46380	P46380	P46381
12	Volute Coverplate	186482	186482	186482
12	Volute Coverplate – "F" Construction	P61131	P61131	NONE
4	Seal Kit Buna/Carbon/Ceramic	186862LF	186862LF	186860
4	Seal Kit EPR/Carbon/Tungsten Carbide	186861LF	186861LF	NONE
2	Bearing Frame Assembly	185011LF	185011LF	185012
17	Bearing Frame	P2001125	P2001125	P2001125
19	Shaft	P78927	P78927	P78927
20	Bearing Cap	P75606	P75606	P75606
25	Ball Bearing – Pump End	186002NG	186002NG	186002NG
26	Ball Bearing – Coupling End	186001NG	186001NG	186001NG
22	Stainless Steel Shaft Sleeve Kit - March 2014 (C41) & After	185141	185141	185141
22	Bronze Shaft Sleeve Kit - February 2014 (B41) & Before	185140LF	185140LF	NA
7	Impeller Capscrew	P52350	P52350	P52350
9	Impeller Lockwasher	J23874	J23874	J23874
10	Impeller Key (Straight) Aug. 1989 (H98) & After	P49369	P49369	P49369
10	Impeller Key (Woodruff) July 1989 (G98) & Before	H32500	H32500	H32500
18	Spring Washer	J92558	J92558	J92558
21	Bearing Cap Capscrew (4)	J92291	J92291	J92291
13	Water Slinger	P53550	P53550	P53550

— Factory Recommended Spare Parts.

\*Includes Wear Ring.

†Consult Factory for Delivery.

N/A – No Longer Available

\*\*The impeller and/or volute are no longer available. This pump can be converted to the current style pump by ordering both the current style impeller and the current style volute.

NOTE: All Bronze Series 1510 Pumps are obsolete.

## 1-1/2AB

ITEM NO.	DESCRIPTION (QTY)	PUMP CONSTRUCTION		
		BRONZE FITTED	BRONZE FITTED WITH WEAR RING	ALL IRON
8	Volute	P41690	N/A**	P41690
	Wear Ring	—	P48660	—
	Volute Drain Plug (4)	P39020	P39020	P39030
3	Volute Capscrew (8)	P40020	P40020	P40020
11	Volute Gasket	P57700	P57700	P57700
15	Coupling	See Coupling Selection Table, Page 48		
14	Coupling Key (Straight) Aug. 1989 (H98) & After	P49373	P49373	P49373
14	Coupling Key (Woodruff) July 1989 (G98) & Before	H32600	H32600	H32600
	For ANSI/OSHA Coupling Guard & Support Bracket Kit Selection, See Chart on Page 49			
5	Impeller (State Diameter) 7" Full Dia.	P47950†	P47950†	P47810†
6	Impeller Washer	P46380	P46380	P46381
12	Volute Coverplate	186482	186482	186482
12	Volute Coverplate - "F" Construction	P61131	P61131	NONE
4	Seal Kit Buna/Carbon/Ceramic	186862LF	186862LF	186860
4	Seal Kit EPR/Carbon/Tungsten Carbide	186861LF	186861LF	NONE
2	Bearing Frame Assembly	185011LF	185011LF	185012
17	Bearing Frame	P2001125	P2001125	P2001125
19	Shaft	P78927	P78927	P78927
20	Bearing Cap	P75606	P75606	P75606
25	Ball Bearing - Pump End	186002NG	186002NG	186002NG
26	Ball Bearing - Coupling End	186001NG	186001NG	186001NG
22	Stainless Steel Shaft Sleeve Kit - March 2014 (C41) & After	185141	185141	185141
22	Bronze Shaft Sleeve Kit - February 2014 (B41) & Before	185140LF	185140LF	NA
7	Impeller Capscrew	P52350	P52350	P52350
9	Impeller Lockwasher	J23874	J23874	J23874
10	Impeller Key (Straight) Aug. 1989 (H98) & After	P49369	P49369	P49369
10	Impeller Key (Woodruff) July 1989 (G98) & Before	H32500	H32500	H32500
18	Spring Washer	J92558	J92558	J92558
21	Bearing Cap Capscrew (4)	J92291	J92291	J92291
13	Water Slinger	P53550	P53550	P53550

— Factory Recommended Spare Parts.

†Consult Factory for Delivery.

N/A – No Longer Available

\*\*The impeller and/or volute are no longer available. This pump can be converted to the current style pump by ordering both the current style impeller and the current style volute.

NOTE: All Bronze Series 1510 Pumps are obsolete.



## 1-1/2AC

ITEM NO.	DESCRIPTION (QTY)	PUMP CONSTRUCTION		
		BRONZE FITTED	BRONZE FITTED WITH WEAR RING	ALL IRON
8	Volute	P45473	P45475*	P45473
	Wear Ring	—	P48660	—
	Volute Drain Plug (4)	P39020	P39020	P39030
3	Volute Capscrew (8)	P40020	P40020	P40020
11	Volute Gasket	P57700	P57700	P57700
15	Coupling	See Coupling Selection Table, Page 48		
14	Coupling Key (Straight) Aug. 1989 (H98) & After	P49373	P49373	P49373
14	Coupling Key (Woodruff) July 1989 (G98) & Before	H32600	H32600	H32600
	For ANSI/OSHA Coupling Guard & Support Bracket Kit Selection, See Chart on Page 49			
5	Impeller (State Diameter) 7" Full Dia.	P45492	P45492	P45495†
6	Impeller Washer	P46380	P46380	P46381
12	Volute Coverplate	186482	186482	186482
12	Volute Coverplate - "F" Construction	P61131	P61131	NONE
4	Seal Kit Buna/Carbon/Ceramic	186862LF	186862LF	186860
4	Seal Kit EPR/Carbon/Tungsten Carbide	186861LF	186861LF	NONE
2	Bearing Frame Assembly	185011LF	185011LF	185012
17	Bearing Frame	P2001125	P2001125	P2001125
19	Shaft	P78927	P78927	P78927
20	Bearing Cap	P75606	P75606	P75606
25	Ball Bearing - Pump End	186002NG	186002NG	186002NG
26	Ball Bearing - Coupling End	186001NG	186001NG	186001NG
22	Stainless Steel Shaft Sleeve Kit - March 2014 (C41) & After	185141	185141	185141
22	Bronze Shaft Sleeve Kit - February 2014 (B41) & Before	185140LF	185140LF	NA
7	Impeller Capscrew	P52350	P52350	P52350
9	Impeller Lockwasher	J23874	J23874	J23874
10	Impeller Key (Straight) Aug. 1989 (H98) & After	P49369	P49369	P49369
10	Impeller Key (Woodruff) July 1989 (G98) & Before	H32500	H32500	H32500
18	Spring Washer	J92558	J92558	J92558
21	Bearing Cap Capscrew (4)	J92291	J92291	J92291
13	Water Slinger	P53550	P53550	P53550

— Factory Recommended Spare Parts.

\* Includes Wear Ring.

†Consult Factory for Delivery.

N/A – No Longer Available

NOTE: All Bronze Series 1510 Pumps are obsolete.

## 2AB

ITEM NO.	DESCRIPTION (QTY)	PUMP CONSTRUCTION		
		BRONZE FITTED	BRONZE FITTED WITH WEAR RING	ALL IRON
8	Volute	N/A**	N/A**	N/A**
	Wear Ring	—	P48660	—
	Volute Drain Plug (4)	P39040	P39040	P39050
3	Volute Capscrew (8)	P40020	P40020	P40020
11	Volute Gasket	P57700	P57700	P57700
15	Coupling	See Coupling Selection Table, Page 48		
14	Coupling Key (Straight) Aug. 1989 (H98) & After	P49373	P49373	P49373
14	Coupling Key (Woodruff) July 1989 (G98) & Before	H32600	H32600	H32600
	For ANSI/OSHA Coupling Guard & Support Bracket Kit Selection, See Chart on Page 49			
5	Impeller (State Diameter) 7" Full Dia.	P47950†	P47950†	P47810†
6	Impeller Washer	P46380	P46380	P46381
12	Volute Coverplate	186482	186482	186482
4	Seal Kit Buna/Carbon/Ceramic	186862LF	186862LF	186860
4	Seal Kit EPR/Carbon/Tungsten Carbide	186861LF	186861LF	NONE
2	Bearing Frame Assembly	185011LF	185011LF	185012
17	Bearing Frame	P2001125	P2001125	P2001125
19	Shaft	P78927	P78927	P78927
20	Bearing Cap	P75606	P75606	P75606
25	Ball Bearing - Pump End	186002NG	186002NG	186002NG
26	Ball Bearing - Coupling End	186001NG	186001NG	186001NG
22	Stainless Steel Shaft Sleeve Kit - March 2014 (C41) & After	185141	185141	185141
22	Bronze Shaft Sleeve Kit - February 2014 (B41) & Before	185140LF	185140LF	NA
7	Impeller Capscrew	P52350	P52350	P52350
9	Impeller Lockwasher	J23874	J23874	J23874
10	Impeller Key (Straight) Aug. 1989 (H98) & After	P49369	P49369	P49369
10	Impeller Key (Woodruff) July 1989 (G98) & Before	H32500	H32500	H32500
18	Spring Washer	J92558	J92558	J92558
21	Bearing Cap Capscrew (4)	J92291	J92291	J92291
13	Water Slinger	P53550	P53550	P53550

## 2AC

ITEM NO.	DESCRIPTION (QTY)	PUMP CONSTRUCTION		
		BRONZE FITTED	BRONZE FITTED WITH WEAR RING	ALL IRON
8	Volute	P42254	P44143*	P42254
	Wear Ring	—	P49145	—
	Volute Drain Plug (4)	P39040	P39040	P39050
3	Volute Capscrew (8)	P40020	P40020	P40020
11	Volute Gasket	P57700	P57700	P57700
15	Coupling	See Coupling Selection Table, Page 48		
14	Coupling Key (Straight) Aug. 1989 (H98) & After	P49373	P49373	P49373
14	Coupling Key (Woodruff) July 1989 (G98) & Before	H32600	H32600	H32600
	For ANSI/OSHA Coupling Guard & Support Foot Selection, See Chart on Page 49			
5	Impeller (State Diameter) 7" Full Dia.	P50684	P50684	P50696†
6	Impeller Washer	P46380	P46380	P46381
12	Volute Coverplate	186482	186482	186482
12	Volute Coverplate -"F" Construction	P61131	P61131	NONE
4	Seal Kit Buna/Carbon/Ceramic	186862LF	186862LF	186860
4	Seal Kit EPR/Carbon/Tungsten Carbide	186861LF	186861LF	NONE
2	Bearing Frame Assembly	185011LF	185011LF	185012
17	Bearing Frame	P2001125	P2001125	P2001125
19	Shaft	P78927	P78927	P78927
20	Bearing Cap	P75606	P75606	P75606
25	Ball Bearing - Pump End	186002NG	186002NG	186002NG
26	Ball Bearing - Coupling End	186001NG	186001NG	186001NG
22	Stainless Steel Shaft Sleeve Kit - March 2014 (C41) & After	185141	185141	185141
22	Bronze Shaft Sleeve Kit - February 2014 (B41) & Before	185140LF	185140LF	NA
7	Impeller Capscrew	P52350	P52350	P52350
9	Impeller Lockwasher	J23874	J23874	J23874
10	Impeller Key (Straight) Aug. 1989 (H98) & After	P49369	P49369	P49369
10	Impeller Key (Woodruff) July 1989 (G98) & Before	H32500	H32500	H32500
18	Spring Washer	J92558	J92558	J92558
21	Bearing Cap Capscrew (4)	J92291	J92291	J92291
13	Water Slinger	P53550	P53550	P53550

— Factory Recommended Spare Parts.

\*Includes Wear Ring.

NA – No Longer Available

†Consult Factory for Delivery.

\*\*The impeller and/or volute are no longer available. This pump can be converted to the current style pump by ordering both the current style impeller and the current style volute.

NOTE: All Bronze Series 1510 Pumps are obsolete.

**2-1/2A**

ITEM NO.	DESCRIPTION (QTY)	PUMP CONSTRUCTION		
		BRONZE FITTED	BRONZE FITTED WITH WEAR RING	ALL IRON
8	Volute	N/A**	N/A**	N/A**
	Wear Ring	—	N/A	—
	Volute Drain Plug (4)	P39040	P39040	P39050
3	Volute Capscrew (8)	P40020	P40020	P40020
11	Volute Gasket	P57700	P57700	P57700
15	Coupling	See Coupling Selection Table, Page 48		
14	Coupling Key (Straight) Aug. 1989 (H98) & After	P49373	P49373	P49373
14	Coupling Key (Woodruff) July 1989 (H98) & Before	H32600	H32600	H32600
	For ANSI/OSHA Coupling Guard & Support Bracket Kit Selection, See Chart on Page 49			
5	Impeller (State Diameter) 7" Full Dia.	P49000†	P49000†	N/A**
6	Impeller Washer	P46380	P46380	P46381
12	Volute Coverplate	186482	186482	186482
4	Seal Kit Buna/Carbon/Ceramic	186862LF	186862LF	186860
4	Seal Kit EPR/Carbon/Tungsten Carbide	186861LF	186861LF	NONE
2	Bearing Frame Assembly	185011LF	185011LF	185012
17	Bearing Frame	P2001125	P2001125	P2001125
19	Shaft	P78927	P78927	P78927
20	Bearing Cap	P75606	P75606	P75606
25	Ball Bearing - Pump End	186002NG	186002NG	186002NG
26	Ball Bearing - Coupling End	186001NG	186001NG	186001NG
22	Stainless Steel Shaft Sleeve Kit - March 2014 (C41) & After	185141	185141	185141
22	Bronze Shaft Sleeve Kit - February 2014 (B41) & Before	185140LF	185140LF	NA
7	Impeller Capscrew	P52350	P52350	P52350
9	Impeller Lockwasher	J23874	J23874	J23874
10	Impeller Key (Straight) Aug. 1989 (H98) & After	P49369	P49369	P49369
10	Impeller Key (Woodruff) July 1989 (G98) & Before	H32500	H32500	H32500
18	Spring Washer	J92558	J92558	J92558
21	Bearing Cap Capscrew (4)	J92291	J92291	J92291
13	Water Slinger	P53550	P53550	P53550

**2-1/2AB**

ITEM NO.	DESCRIPTION (QTY)	PUMP CONSTRUCTION		
		BRONZE FITTED	BRONZE FITTED WITH WEAR RING	ALL IRON
8	Volute	P42532	P44145*	P42532
	Wear Ring	—	P85399	—
	Volute Drain Plug (4)	P39040	P39040	P39050
3	Volute Capscrew (8)	P40020	P40020	P40020
11	Volute Gasket	P57700	P57700	P57700
15	Coupling	See Coupling Selection Table, Page 48		
14	Coupling Key (Straight) Aug. 1989 (H98) & After	P49373	P49373	P49373
14	Coupling Key (Woodruff) July 1989 (G98) & Before	H32600	H32600	H32600
	For ANSI/OSHA Coupling Guard & Support Bracket Kit Selection, See Chart on Page 49			
5	Impeller (State Diameter) 7" Full Dia.	P50716	P50716	P50727†
6	Impeller Washer	P46380	P46380	P46381
12	Volute Coverplate	186482	186482	186482
12	Volute Coverplate -"F" Construction	P61131	P61131	NONE
4	Seal Kit Buna/Carbon/Ceramic	186862LF	186862LF	186860
4	Seal Kit EPR/Carbon/Tungsten Carbide	186861LF	186861LF	NONE
2	Bearing Frame Assembly	185011LF	185011LF	185012
17	Bearing Frame	P2001125	P2001125	P2001125
19	Shaft	P78927	P78927	P78927
20	Bearing Cap	P75606	P75606	P75606
25	Ball Bearing - Pump End	186002NG	186002NG	186002NG
26	Ball Bearing - Coupling End	186001NG	186001NG	186001NG
22	Stainless Steel Shaft Sleeve Kit - March 2014 (C41) & After	185141	185141	185141
22	Bronze Shaft Sleeve Kit - February 2014 (B41) & Before	185140LF	185140LF	NA
7	Impeller Capscrew	P52350	P52350	P52350
9	Impeller Lockwasher	J23874	J23874	J23874
10	Impeller Key (Straight) Aug. 1989 (H98) & After	P49369	P49369	P49369
10	Impeller Key (Woodruff) July 1989 (G98) & Before	H32500	H32500	H32500
18	Spring Washer	J92558	J92558	J92558
21	Bearing Cap Capscrew (4)	J92291	J92291	J92291
13	Water Slinger	P53550	P53550	P53550

— Factory Recommended Spare Parts.

\*Includes Wear Ring.

NA – No Longer Available

†Consult Factory for Delivery.

\*\*The impeller and/or volute are no longer available. This pump can be converted to the current style pump by ordering both the current style impeller and the current style volute.

NOTE: All Bronze Series 1510 Pumps are obsolete.

## 3AB

ITEM NO.	DESCRIPTION (QTY)	PUMP CONSTRUCTION		
		BRONZE FITTED	BRONZE FITTED WITH WEAR RING	ALL IRON
<b>Parts Common To Both Size Pumps</b>				
8	Volute	P42970	P43859*	P42970
	Wear Ring	—	P50650	—
	Volute Drain Plug (4)	P39040	P39040	P39050
11	Volute Gasket	P57700	P57700	P57700
15	Coupling	See Coupling Selection Table, Page 48		
14	Coupling Key (Straight) Aug. 1989 (H98) & After	P49373	P49373	P49373
14	Coupling Key (Woodruff) July 1989 (G98) & Before	H32600	H32600	H32600
	For ANSI/OSHA Coupling Guard & Support Bracket Kit Selection, See Chart on Page 49			
<b>Parts for Pumps With 1-1/4" Shaft At Seal</b>				
5	Impeller (State Diameter) 7" Full Dia.	P78280†	P78280†	P78310†
6	Impeller Washer	P46380	P46380	P46381
3	Volute Capscrew (8)	P40020	P40020	P40020
12	Volute Coverplate	186482	186482	186482
12	Volute Coverplate - "F" Construction	P61131	P61131	NONE
4	Seal Kit Buna/Carbon/Ceramic	186862LF	186862LF	186860
4	Seal Kit EPR/Carbon/Tungsten Carbide	186861LF	186861LF	NONE
2	Bearing Frame Assembly	185011LF	185011LF	185012
17	Bearing Frame	P2001125	P2001125	P2001125
19	Shaft	P78927	P78927	P78927
20	Bearing Cap	P75606	P75606	P75606
25	Ball Bearing - Pump End	186002NG	186002NG	186002NG
26	Ball Bearing - Coupling End	186001NG	186001NG	186001NG
22	Stainless Steel Shaft Sleeve Kit - March 2014 (C41) & After	185141	185141	185141
22	Bronze Shaft Sleeve Kit - February 2014 (B41) & Before	185140LF	185140LF	NA
7	Impeller Capscrew	P52350	P52350	P52350
9	Impeller Lockwasher	J23874	J23874	J23874
10	Impeller Key (Straight) Aug. 1989 (H98) & After	P49369	P49369	P49369
10	Impeller Key (Woodruff) July 1989 (G98) & Before	H32500	H32500	H32500
18	Spring Washer	J92558	J92558	J92558
21	Bearing Cap Capscrew (4)	J92291	J92291	J92291
13	Water Slinger	P53550	P53550	P53550
<b>Parts for Pumps With 1-5/8" Shaft At Seal</b>				
5	Impeller (State Diameter) 7" Full Dia.	P77590†	P77590†	P77620†
6	Impeller Washer	P51230	P51230	P46382
3	Volute Capscrew (8)	P44250	P44250	P44250
12	Volute Coverplate	P49940	P49940	P49940
12	Volute Coverplate - "F" Construction	P49941	P49941	NONE
4	Seal Kit Buna/Carbon/Ceramic	186543LF	186543LF	186544
4	Seal Kit EPR/Carbon/Tungsten Carbide	185225LF	185225LF	NONE
2	Bearing Frame Assembly	185014LF	185014LF	185015
17	Bearing Frame	P2001127	P2001127	P2001127
19	Shaft	P79027	P79027	P79027
20	Bearing Cap	P75612	P75612	P75612
25	Ball Bearing - Pump End	186571NG	186571NG	186571NG
26	Ball Bearing - Coupling End	186572NG	186572NG	186572NG
22	Stainless Steel Shaft Sleeve Kit - March 2014 (C41) & After	185143	185143	185143
22	Bronze Shaft Sleeve Kit - February 2014 (B41) & Before	185142LF	185142LF	NA
7	Impeller Capscrew	P13800	P13800	P13800
9	Impeller Lockwasher	J23875	J23875	J23875
10	Impeller Key (Straight) Aug. 1989 (H98) & After	P49372	P49372	P49372
10	Impeller Key (Woodruff) July 1989 (G98) & Before	H32700	H32700	H32700
18	Spring Washer	J92560	J92560	J92560
21	Bearing Cap Capscrew (4)	DJ0066	DJ0066	DJ0066
13	Water Slinger	P53720	P53720	P53720

— Factory Recommended Spare Parts.

\*Includes Wear Ring.

NA – No Longer Available

†Consult Factory for Delivery.

\*\*The impeller and/or volute are no longer available. This pump can be converted to the current style pump by ordering both the current style impeller and the current style volute.

NOTE: All Bronze Series 1510 Pumps are obsolete.

## 3AC

ITEM NO.	DESCRIPTION (QTY)	PUMP CONSTRUCTION		
		BRONZE FITTED	BRONZE FITTED WITH WEAR RING	ALL IRON
<b>Parts Common To Both Size Pumps</b>				
8	Volute	P42970	P43859*	P42970
	Wear Ring	—	P50650	—
	Volute Drain Plug (4)	P39040	P39040	P39050
11	Volute Gasket	P57700	P57700	P57700
15	Coupling	See Coupling Selection Table, Page 48		
14	Coupling Key (Straight) Aug. 1989 (H98) & After	P49373	P49373	P49373
14	Coupling Key (Woodruff) July 1989 (G98) & Before	H32600	H32600	H32600
	For ANSI/OSHA Coupling Guard & Support Bracket Kit Selection, See Chart on Page 49			
<b>Parts for Pumps With 1-1/4" Shaft At Seal</b>				
5	Impeller (State Diameter) 7" Full Dia.	P71561	P71561	P71567†
6	Impeller Washer	P46380	P46380	P46381
3	Volute Capscrew (8)	P40020	P40020	P40020
12	Volute Coverplate	186482	186482	186482
12	Volute Coverplate - "F" Construction	P61131	P61131	NONE
4	Seal Kit Buna/Carbon/Ceramic	186862LF	186862LF	186860
4	Seal Kit EPR/Carbon/Tungsten Carbide	186861LF	186861LF	NONE
2	Bearing Frame Assembly	185011LF	185011LF	185012
17	Bearing Frame	P2001125	P2001125	P2001125
19	Shaft	P78927	P78927	P78927
20	Bearing Cap	P75606	P75606	P75606
25	Ball Bearing - Pump End	186002NG	186002NG	186002NG
26	Ball Bearing - Coupling End	186001NG	186001NG	186001NG
22	Stainless Steel Shaft Sleeve Kit - March 2014 (C41) & After	185141	185141	185141
22	Bronze Shaft Sleeve Kit - February 2014 (B41) & Before	185140LF	185140LF	NA
7	Impeller Capscrew	P52350	P52350	P52350
9	Impeller Lockwasher	J23874	J23874	J23874
10	Impeller Key (Straight) Aug. 1989 (H98) & After	P49369	P49369	P49369
10	Impeller Key (Woodruff) July 1989 (G98) & Before	H32500	H32500	H32500
18	Spring Washer	J92558	J92558	J92558
21	Bearing Cap Capscrew (4)	J92291	J92291	J92291
13	Water Slinger	P53550	P53550	P53550
<b>Parts for Pumps With 1-5/8" Shaft At Seal</b>				
5	Impeller (State Diameter) 7" Full Dia.	P71564	P71564	P71570†
6	Impeller Washer	P51230	P51230	P46382
3	Volute Capscrew (8)	P44250	P44250	P44250
12	Volute Coverplate	P49940	P49940	P49940
12	Volute Coverplate - "F" Construction	P49941	P49941	NONE
4	Seal Kit Buna/Carbon/Ceramic	186543LF	186543LF	186544
4	Seal Kit EPR/Carbon/Tungsten Carbide	185225LF	185225LF	NONE
2	Bearing Frame Assembly	185014LF	185014LF	185015
17	Bearing Frame	P2001127	P2001127	P2001127
19	Shaft	P79027	P79027	P79027
20	Bearing Cap	P75612	P75612	P75612
25	Ball Bearing - Pump End	186571NG	186571NG	186571NG
26	Ball Bearing - Coupling End	186572NG	186572NG	186572NG
22	Stainless Steel Shaft Sleeve Kit - March 2014 (C41) & After	185143	185143	185143
22	Bronze Shaft Sleeve Kit - February 2014 (B41) & Before	185142LF	185142LF	NA
7	Impeller Capscrew	P13800	P13800	P13800
9	Impeller Lockwasher	J23875	J23875	J23875
10	Impeller Key (Straight) Aug. 1989 (H98) & After	P49372	P49372	P49372
10	Impeller Key (Woodruff) July 1989 (G98) & Before	H32700	H32700	H32700
18	Spring Washer	J92560	J92560	J92560
21	Bearing Cap Capscrew (4)	DJ0066	DJ0066	DJ0066
13	Water Slinger	P53720	P53720	P53720

— Factory Recommended Spare Parts.

\*Includes Wear Ring.

†Consult Factory for Delivery.

NA – No Longer Available

NOTE: All Bronze Series 1510 Pumps are obsolete.

## 4AB

ITEM NO.	DESCRIPTION (QTY)	PUMP CONSTRUCTION		
		BRONZE FITTED	BRONZE FITTED WITH WEAR RING	ALL IRON
<b>Parts Common To Both Size Pumps</b>				
8	Volute	N/A**	N/A**	N/A**
	Wear Ring	—	P50590	—
	Volute Drain Plug (4)	P39040	P39040	P39050
11	Volute Gasket	P57700	P57700	P57700
15	Coupling	See Coupling Selection Table, Page 48		
14	Coupling Key (Straight) Aug. 1989 (H98) & After	P49373	P49373	P49373
14	Coupling Key (Woodruff) July 1989 (G98) & Before	H32600	H32600	H32600
	For ANSI/OSHA Coupling Guard & Support Bracket Kit Selection, See Chart on Page 49			
<b>Parts for Pumps With 1-1/4" Shaft At Seal</b>				
5	Impeller (State Diameter) 7" Full Dia.	P56140†	P56140†	N/A**
6	Impeller Washer	P46380	P46380	P46381
3	Volute Capscrew (8)	P40020	P40020	P40020
12	Volute Coverplate	186482	186482	186482
4	Seal Kit Buna/Carbon/Ceramic	186862LF	186862LF	186860
4	Seal Kit EPR/Carbon/Tungsten Carbide	186861LF	186861LF	NONE
2	Bearing Frame Assembly	185011LF	185011LF	185012
17	Bearing Frame	P2001125	P2001125	P2001125
19	Shaft	P78927	P78927	P78927
20	Bearing Cap	P75606	P75606	P75606
25	Ball Bearing - Pump End	186002NG	186002NG	186002NG
26	Ball Bearing - Coupling End	186001NG	186001NG	186001NG
22	Stainless Steel Shaft Sleeve Kit - March 2014 (C41) & After	185141	185141	185141
22	Bronze Shaft Sleeve Kit - February 2014 (B41) & Before	185140LF	185140LF	NA
7	Impeller Capscrew	P52350	P52350	P52350
9	Impeller Lockwasher	J23874	J23874	J23874
10	Impeller Key (Straight) Aug. 1989 (H98) & After	P49369	P49369	P49369
10	Impeller Key (Woodruff) July 1989 (G98) & Before	H32500	H32500	H32500
18	Spring Washer	J92558	J92558	J92558
21	Bearing Cap Capscrew (4)	J92291	J92291	J92291
13	Water Slinger	P53550	P53550	P53550
<b>Parts for Pumps With 1-5/8" Shaft At Seal</b>				
5	Impeller (State Diameter) 7" Full Dia.	P50310†	P50310†	N/A**
6	Impeller Washer	P51230	P51230	P46382
3	Volute Capscrew (8)	P44250	P44250	P44250
12	Volute Coverplate	P49940	P49940	P49940
4	Seal Kit Buna/Carbon/Ceramic	186543LF	186543LF	186544
4	Seal Kit EPR/Carbon/Tungsten Carbide	185225LF	185225LF	NONE
2	Bearing Frame Assembly	185014LF	185014LF	185015
17	Bearing Frame	P77161	P77161	P77161
17	Bearing Frame	P2001127	P2001127	P2001127
19	Shaft	P79027	P79027	P79027
20	Bearing Cap	P75612	P75612	P75612
25	Ball Bearing - Pump End	186571NG	186571NG	186571NG
26	Ball Bearing - Coupling End	186572NG	186572NG	186572NG
22	Stainless Steel Shaft Sleeve Kit - March 2014 (C41) & After	185143	185143	185143
22	Bronze Shaft Sleeve Kit - February 2014 (B41) & Before	185142LF	185142LF	NA
7	Impeller Capscrew	P13800	P13800	P13800
9	Impeller Lockwasher	J23875	J23875	J23875
10	Impeller Key (Straight) Aug. 1989 (H98) & After	P49372	P49372	P49372
10	Impeller Key (Woodruff) July 1989 (G98) & Before	H32700	H32700	H32700
18	Spring Washer	J92560	J92560	J92560
21	Bearing Cap Capscrew (4)	DJ0066	DJ0066	DJ0066
13	Water Slinger	P53720	P53720	P53720

— Factory Recommended Spare Parts.

\*Includes Wear Ring.

NA – No Longer Available

†Consult Factory for Delivery.

\*\*The impeller and/or volute are no longer available. This pump can be converted to the current style pump by ordering both the current style impeller and the current style volute.

NOTE: All Bronze Series 1510 Pumps are obsolete.

## 4AC

ITEM NO.	DESCRIPTION (QTY)	PUMP CONSTRUCTION		
		BRONZE FITTED	BRONZE FITTED WITH WEAR RING	ALL IRON
<b>Parts Common To Both Size Pumps</b>				
8	Volute	P43252	P43861*	P43252
	Wear Ring	—	P49141	—
	Volute Drain Plug (4)	P39040	P39040	P39050
11	Volute Gasket	P57700	P57700	P57700
15	Coupling	See Coupling Selection Table, Page 48		
14	Coupling Key (Straight) Aug. 1989 (H98) & After	P49373	P49373	P49373
14	Coupling Key (Woodruff) July 1989 (G98) & Before	H32600	H32600	H32600
	For ANSI/OSHA Coupling Guard & Support Bracket Kit Selection, See Chart on Page 49			
<b>Parts for Pumps With 1-1/4" Shaft At Seal</b>				
5	Impeller (State Diameter) 7" Full Dia.	P50762	P50762	P50764†
6	Impeller Washer	P46380	P46380	P46381
3	Volute Capscrew (8)	P40020	P40020	P40020
12	Volute Coverplate	186482	186482	186482
12	Volute Coverplate - "F" Construction	P61131	P61131	NONE
4	Seal Kit Buna/Carbon/Ceramic	186862LF	186862LF	186860
4	Seal Kit EPR/Carbon/Tungsten Carbide	186861LF	186861LF	NONE
2	Bearing Frame Assembly	185011LF	185011LF	185012
17	Bearing Frame	P2001125	P2001125	P2001125
19	Shaft	P78927	P78927	P78927
20	Bearing Cap	P75606	P75606	P75606
25	Ball Bearing - Pump End	186002NG	186002NG	186002NG
26	Ball Bearing - Coupling End	186001NG	186001NG	186001NG
22	Stainless Steel Shaft Sleeve Kit - March 2014 (C41) & After	185141	185141	185141
22	Bronze Shaft Sleeve Kit - February 2014 (B41) & Before	185140LF	185140LF	NA
7	Impeller Capscrew	P52350	P52350	P52350
9	Impeller Lockwasher	J23874	J23874	J23874
10	Impeller Key (Straight) Aug. 1989 (H98) & After	P49369	P49369	P49369
10	Impeller Key (Woodruff) July 1989 (G98) & Before	H32500	H32500	H32500
18	Spring Washer	J92558	J92558	J92558
21	Bearing Cap Capscrew (4)	J92291	J92291	J92291
13	Water Slinger	P53550	P53550	P53550
<b>Parts for Pumps With 1-5/8" Shaft At Seal</b>				
5	Impeller (State Diameter) 7" Full Dia.	P50772	P50772	P50774†
6	Impeller Washer	P51230	P51230	P46382
3	Volute Capscrew (8)	P44250	P44250	P44250
12	Volute Coverplate	P49940	P49940	P49940
12	Volute Coverplate - "F" Construction	P49941	P49941	NONE
4	Seal Kit Buna/Carbon/Ceramic	186543LF	186543LF	186544
4	Seal Kit EPR/Carbon/Tungsten/Carbide	185225LF	185225LF	NONE
2	Bearing Frame Assembly	185014LF	185014LF	185015
17	Bearing Frame	P2001127	P2001127	P2001127
19	Shaft	P79027	P79027	P79027
20	Bearing Cap	P75612	P75612	P75612
25	Ball Bearing - Pump End	186571NG	186571NG	186571NG
26	Ball Bearing - Coupling End	186572NG	186572NG	186572NG
22	Stainless Steel Shaft Sleeve Kit - March 2014 (C41) & After	185143	185143	185143
22	Bronze Shaft Sleeve Kit - February 2014 (B41) & Before	185142LF	185142LF	NA
7	Impeller Capscrew	P13800	P13800	P13800
9	Impeller Lockwasher	J23875	J23875	J23875
10	Impeller Key (Straight) Aug. 1989 (H98) & After	P49372	P49372	P49372
10	Impeller Key (Woodruff) July 1989 (G98) & Before	H32700	H32700	H32700
18	Spring Washer	J92560	J92560	J92560
21	Bearing Cap Capscrew (4)	DJ0066	DJ0066	DJ0066
13	Water Slinger	P53720	P53720	P53720

— Factory Recommended Spare Parts.

\*Includes Wear Ring.

†Consult Factory for Delivery.

NA – No Longer Available

NOTE: All Bronze Series 1510 Pumps are obsolete.

## 5A

ITEM NO.	DESCRIPTION (QTY)	PUMP CONSTRUCTION		
		BRONZE FITTED	BRONZE FITTED WITH WEAR RING	ALL IRON
<b>Parts Common To Both Size Pumps</b>				
8	Volute	P43663	P43862*	P43663
	Wear Ring	—	P49142	—
	Volute Drain Plug (4)	P39040	P39040	P39050
11	Volute Gasket	P57700	P57700	P57700
15	Coupling	See Coupling Selection Table, Page 48		
14	Coupling Key (Straight) Aug. 1989 (H98) & After	P49373	P49373	P49373
14	Coupling Key (Woodruff) July 1989 (G98) & Before	H32600	H32600	H32600
	For ANSI/OSHA Coupling Guard & Support Foot Selection, See Chart on Page 49			
<b>Parts for Pumps With 1-1/4" Shaft At Seal</b>				
5	Impeller (State Diameter) 7" Full Dia.	P50802	P50802	P50804†
6	Impeller Washer	P46380	P46380	P46381
3	Volute Capscrew (8)	P40020	P40020	P40020
12	Volute Coverplate	186482	186482	186482
12	Volute Coverplate - "F" Construction	P61131	P61131	NONE
4	Seal Kit Buna/Carbon/Ceramic	186862LF	186862LF	186860
4	Seal Kit EPR/Carbon/Tungsten Carbide	186861LF	186861LF	NONE
2	Bearing Frame Assembly	185011LF	185011LF	185012
17	Bearing Frame	P2001125	P2001125	P2001125
19	Shaft	P78927	P78927	P78927
20	Bearing Cap	P75606	P75606	P75606
25	Ball Bearing - Pump End	186002NG	186002NG	186002NG
26	Ball Bearing - Coupling End	186001NG	186001NG	186001NG
22	Stainless Steel Shaft Sleeve Kit - March 2014 (C41) & After	185141	185141	185141
22	Bronze Shaft Sleeve Kit - February 2014 (B41) & Before	185140LF	185140LF	NA
7	Impeller Capscrew	P52350	P52350	P52350
9	Impeller Lockwasher	J23874	J23874	J23874
10	Impeller Key (Straight) Aug. 1989 (H98) & After	P49369	P49369	P49369
10	Impeller Key (Woodruff) July 1989 (G98) & Before	H32500	H32500	H32500
18	Spring Washer	J92558	J92558	J92558
21	Bearing Cap Capscrew (4)	J92291	J92291	J92291
13	Water Slinger	P53550	P53550	P53550
<b>Parts for Pumps With 1-5/8" Shaft At Seal</b>				
5	Impeller (State Diameter) 7" Full Dia.	P50812	P50812	P50814†
6	Impeller Washer	P51230	P51230	P46382
3	Volute Capscrew (8)	P44250	P44250	P44250
12	Volute Coverplate	P49940	P49940	P49940
12	Volute Coverplate - "F" Construction	P49941	P49941	NONE
4	Seal Kit Buna/Carbon/Ceramic	186543LF	186543LF	186544
4	Seal Kit EPR/Carbon/Tungsten Carbide	185225LF	185225LF	NONE
2	Bearing Frame Assembly	185014LF	185014LF	185015
17	Bearing Frame	P2001127	P2001127	P2001127
19	Shaft	P79027	P79027	P79027
20	Bearing Cap	P75612	P75612	P75612
25	Ball Bearing - Pump End	186571NG	186571NG	186571NG
26	Ball Bearing - Coupling End	186572NG	186572NG	186572NG
22	Stainless Steel Shaft Sleeve Kit - March 2014 (C41) & After	185143	185143	185143
22	Bronze Shaft Sleeve Kit - February 2014 (B41) & Before	185142LF	185142LF	NA
7	Impeller Capscrew	P13800	P13800	P13800
9	Impeller Lockwasher	J23875	J23875	J23875
10	Impeller Key (Straight) Aug. 1989 (H98) & After	P49372	P49372	P49372
10	Impeller Key (Woodruff) July 1989 (G98) & Before	H32700	H32700	H32700
18	Spring Washer	J92560	J92560	J92560
21	Bearing Cap Capscrew (4)	DJ0066	DJ0066	DJ0066
13	Water Slinger	P53720	P53720	P53720

— Factory Recommended Spare Parts.

\*Includes Wear Ring.

†Consult Factory for Delivery.

NA – No Longer Available

NOTE: All Bronze Series 1510 Pumps are obsolete.



## 1-1/4BB

ITEM NO.	DESCRIPTION (QTY)	PUMP CONSTRUCTION		
		BRONZE FITTED	BRONZE FITTED WITH WEAR RING	ALL IRON
<b>Parts Common To Both Size Pumps</b>				
8	Volute	N/A**	N/A**	N/A**
	Wear Ring	—	P48660	—
	Volute Drain Plug (4)	P39020	P39020	P39030
3	Volute Capscrew (12)	P03470	P03470	P03470
11	Volute Gasket	P48690	P48690	P48690
15	Coupling	See Coupling Selection Table, Page 48		
14	Coupling Key (Straight) Aug. 1989 (H98) & After	P49373	P49373	P49373
14	Coupling Key (Woodruff) July 1989 (G98) & Before	H32600	H32600	H32600
	For ANSI/OSHA Coupling Guard & Support Bracket Kit Selection, See Chart on Page 49			
<b>Parts for Pumps With 1-1/4" Shaft At Seal</b>				
5	Impeller (State Diameter) 91/2" Full Dia.	P78523	P78523	P78253†
6	Impeller Washer	P46380	P46380	P46381
12	Volute Coverplate	186495	186495	186495
4	Seal Kit Buna/Carbon/Ceramic	186862LF	186862LF	186860
4	Seal Kit EPR/Carbon/Tungsten Carbide	186861LF	186861LF	NONE
2	Bearing Frame Assembly	185011LF	185011LF	185012
17	Bearing Frame	P2001125	P2001125	P2001125
19	Shaft	P78927	P78927	P78927
20	Bearing Cap	P75606	P75606	P75606
25	Ball Bearing - Pump End	186002NG	186002NG	186002NG
26	Ball Bearing - Coupling End	186001NG	186001NG	186001NG
22	Stainless Steel Shaft Sleeve Kit - March 2014 (C41) & After	185141	185141	185141
22	Bronze Shaft Sleeve Kit - February 2014 (B41) & Before	185140LF	185140LF	NA
7	Impeller Capscrew	P52350	P52350	P52350
9	Impeller Lockwasher	J23874	J23874	J23874
10	Impeller Key (Straight) Aug. 1989 (H98) & After	P49369	P49369	P49369
10	Impeller Key (Woodruff) July 1989 (G98) & Before	H32500	H32500	H32500
18	Spring Washer	J92558	J92558	J92558
21	Bearing Cap Capscrew (4)	J92291	J92291	J92291
13	Water Slinger	P53550	P53550	P53550
<b>Parts for Pumps With 1-5/8" Shaft At Seal</b>				
5	Impeller (State Diameter) 91/2" Full Dia.	P78251	P78251	P78522†
6	Impeller Washer	P51230	P51230	P46382
12	Volute Coverplate	P51540	P51540	P51540
4	Seal Kit Buna/Carbon/Ceramic	186543LF	186543LF	186544
4	Seal Kit EPR/Carbon/Tungsten Carbide	185225LF	185225LF	NONE
2	Bearing Frame Assembly	185014LF	185014LF	185015
17	Bearing Frame	P2001127	P2001127	P2001127
19	Shaft	P79027	P79027	P79027
20	Bearing Cap	P75612	P75612	P75612
25	Ball Bearing - Pump End	186571NG	186571NG	186571NG
26	Ball Bearing - Coupling End	186572NG	186572NG	186572NG
22	Stainless Steel Shaft Sleeve Kit - March 2014 (C41) & After	185143	185143	185143
22	Bronze Shaft Sleeve Kit - February 2014 (B41) & Before	185142LF	185142LF	NA
7	Impeller Capscrew	P13800	P13800	P13800
9	Impeller Lockwasher	J23875	J23875	J23875
10	Impeller Key (Straight) Aug. 1989 (H98) & After	P49372	P49372	P49372
10	Impeller Key (Woodruff) July 1989 (G98) & Before	H32700	H32700	H32700
18	Spring Washer	J92560	J92560	J92560
21	Bearing Cap Capscrew (4)	P52320	P52320	P52320
13	Water Slinger	P53720	P53720	P53720

— Factory Recommended Spare Parts.

\*Includes Wear Ring.

NA – No Longer Available

†Consult Factory for Delivery.

\*\*The impeller and/or volute are no longer available. This pump can be converted to the current style pump by ordering both the current style impeller and the current style volute.

NOTE: All Bronze Series 1510 Pumps are obsolete.

## 1-1/4BC

ITEM NO.	DESCRIPTION (QTY)	PUMP CONSTRUCTION		
		BRONZE FITTED	BRONZE FITTED WITH WEAR RING	ALL IRON
<b>Parts Common To Both Size Pumps</b>				
8	Volute	P41620	P44142*	P41620
	Wear Ring	—	P46700	—
	Volute Drain Plug (4)	P39020	P39020	P39030
3	Volute Capscrew (12)	P03470	P03470	P03470
11	Volute Gasket	P48690	P48690	P48690
15	Coupling	See Coupling Selection Table, Page 48		
14	Coupling Key (Straight) Aug. 1989 (H98) & After	P49373	P49373	P49373
14	Coupling Key (Woodruff) July 1989 (G98) & Before	H32600	H32600	H32600
	For ANSI/OSHA Coupling Guard & Support Bracket Kit Selection, See Chart on Page 49			
<b>Parts for Pumps With 1-1/4" Shaft At Seal</b>				
5	Impeller (State Diameter) 91/2" Full Dia.	P50666	P50666	P50678†
6	Impeller Washer	P46380	P46380	P46381
12	Volute Coverplate	186495	186495	186495
	Volute Coverplate - "F" Construction	P61451	P61451	NONE
4	Seal Kit Buna/Carbon/Ceramic	186862LF	186862LF	186860
4	Seal Kit EPR/Carbon/Tungsten Carbide	186861LF	186861LF	NONE
2	Bearing Frame Assembly	185011LF	185011LF	185012
17	Bearing Frame	P2001125	P2001125	P2001125
19	Shaft	P78927	P78927	P78927
20	Bearing Cap	P75606	P75606	P75606
25	Ball Bearing - Pump End	186002NG	186002NG	186002NG
26	Ball Bearing - Coupling End	186001NG	186001NG	186001NG
22	Stainless Steel Shaft Sleeve Kit - March 2014 (C41) & After	185141	185141	185141
22	Bronze Shaft Sleeve Kit - February 2014 (B41) & Before	185140LF	185140LF	NA
7	Impeller Capscrew	P52350	P52350	P52350
9	Impeller Lockwasher	J23874	J23874	J23874
10	Impeller Key (Straight) Aug. 1989 (H98) & After	P49369	P49369	P49369
10	Impeller Key (Woodruff) July 1989 (G98) & Before	H32500	H32500	H32500
18	Spring Washer	J92558	J92558	J92558
21	Bearing Cap Capscrew (4)	J92291	J92291	J92291
13	Water Slinger	P53550	P53550	P53550
<b>Parts for Pumps With 1-5/8" Shaft At Seal</b>				
5	Impeller (State Diameter) 91/2" Full Dia.	P50674	P50674	P50682†
6	Impeller Washer	P51230	P51230	P46382
12	Volute Coverplate	P51540	P51540	P51540
12	Volute Coverplate - "F" Construction	P51541	P51541	NONE
4	Seal Kit Buna/Carbon/Ceramic	186543LF	186543LF	186544
4	Seal Kit EPR/Carbon/Tungsten Carbide	185225LF	185225LF	NONE
2	Bearing Frame Assembly	185014LF	185014LF	185015
17	Bearing Frame	P2001127	P2001127	P2001127
19	Shaft	P79027	P79027	P79027
20	Bearing Cap	P75612	P75612	P75612
25	Ball Bearing - Pump End	186571NG	186571NG	186571NG
26	Ball Bearing - Coupling End	186572NG	186572NG	186572NG
22	Stainless Steel Shaft Sleeve Kit - March 2014 (C41) & After	185143	185143	185143
22	Bronze Shaft Sleeve Kit - February 2014 (B41) & Before	185142LF	185142LF	NA
7	Impeller Capscrew	P13800	P13800	P13800
9	Impeller Lockwasher	J23875	J23875	J23875
10	Impeller Key (Straight) Aug. 1989 (H98) & After	P49372	P49372	P49372
10	Impeller Key (Woodruff) July 1989 (G98) & Before	H32700	H32700	H32700
18	Spring Washer	J92560	J92560	J92560
21	Bearing Cap Capscrew (4)	DJ0066	DJ0066	DJ0066
13	Water Slinger	P53720	P53720	P53720

— Factory Recommended Spare Parts.

\*Includes Wear Ring.

†Consult Factory for Delivery.

NA – No Longer Available

NOTE: All Bronze Series 1510 Pumps are obsolete.

**1-1/2BB & 1-1/2BC**

ITEM NO.	DESCRIPTION (QTY)	PUMP CONSTRUCTION		
		BRONZE FITTED	BRONZE FITTED WITH WEAR RING	ALL IRON
<b>Parts Common To Both Size Pumps</b>				
8	Volute	P41780	P44136*	P41780
	Wear Ring	—	P48660	—
	Volute Drain Plug (4)	P39020	P39020	P39030
3	Volute Capscrew (12)	P03470	P03470	P03470
11	Volute Gasket	P48690	P48690	P48690
15	Coupling	See Coupling Selection Table, Page 48		
14	Coupling Key (Straight) Aug. 1989 (H98) & After	P49373	P49373	P49373
14	Coupling Key (Woodruff) July 1989 (G98) & Before	H32600	H32600	H32600
	For ANSI/OSHA Coupling Guard & Support Bracket Kit Selection, See Chart on Page 49			
<b>Parts for Pumps With 1-1/4" Shaft At Seal</b>				
5	Impeller (State Diameter) 91/2" Full Dia.	P78523	P78523	P78253†
6	Impeller Washer	P46380	P46380	P46381
12	Volute Coverplate	186495	186495	186495
12	Volute Coverplate - "F" Construction	P61451	P61451	NONE
4	Seal Kit Buna/Carbon/Ceramic	186862LF	186862LF	186860
4	Seal Kit EPR/Carbon/Tungsten Carbide	186861LF	186861LF	NONE
2	Bearing Frame Assembly	185011LF	185011LF	185012
17	Bearing Frame	P2001125	P2001125	P2001125
19	Shaft	P78927	P78927	P78927
20	Bearing Cap	P75606	P75606	P75606
25	Ball Bearing - Pump End	186002NG	186002NG	186002NG
26	Ball Bearing - Coupling End	186001NG	186001NG	186001NG
22	Stainless Steel Shaft Sleeve Kit - March 2014 (C41) & After	185141	185141	185141
22	Bronze Shaft Sleeve Kit - February 2014 (B41) & Before	185140LF	185140LF	NA
7	Impeller Capscrew	P52350	P52350	P52350
9	Impeller Lockwasher	J23874	J23874	J23874
10	Impeller Key (Straight) Aug. 1989 (H98) & After	P49369	P49369	P49369
10	Impeller Key (Woodruff) July 1989 (G98) & Before	H32500	H32500	H32500
18	Spring Washer	J92558	J92558	J92558
21	Bearing Cap Capscrew (4)	J92291	J92291	J92291
13	Water Slinger	P53550	P53550	P53550
<b>Parts for Pumps With 1-5/8" Shaft At Seal</b>				
5	Impeller (State Diameter) 91/2" Full Dia.	P78251	P78251	P78522†
6	Impeller Washer	P51230	P51230	P46382
12	Volute Coverplate	P51540	P51540	P51540
12	Volute Coverplate - "F" Construction	P51541	P51541	NONE
4	Seal Kit Buna/Carbon/Ceramic	186543LF	186543LF	186544
4	Seal Kit EPR/Carbon/Tungsten Carbide	185225LF	185225LF	NONE
2	Bearing Frame Assembly	185014LF	185014LF	185015
17	Bearing Frame	P2001127	P2001127	P2001127
19	Shaft	P79027	P79027	P79027
20	Bearing Cap	P75612	P75612	P75612
25	Ball Bearing - Pump End	186571NG	186571NG	186571NG
26	Ball Bearing - Coupling End	186572NG	186572NG	186572NG
22	Stainless Steel Shaft Sleeve Kit - March 2014 (C41) & After	185143	185143	185143
22	Bronze Shaft Sleeve Kit - February 2014 (B41) & Before	185142LF	185142LF	NA
7	Impeller Capscrew	P13800	P13800	P13800
9	Impeller Lockwasher	J23875	J23875	J23875
10	Impeller Key (Straight) Aug. 1989 (H98) & After	P49372	P49372	P49372
10	Impeller Key (Woodruff) July 1989 (G98) & Before	H32700	H32700	H32700
18	Spring Washer	J92560	J92560	J92560
21	Bearing Cap Capscrew (4)	DJ0066	DJ0066	DJ0066
13	Water Slinger	P53720	P53720	P53720

— Factory Recommended Spare Parts.

\*Includes Wear Ring.

†Consult Factory for Delivery.

NA – No Longer Available

NOTE: All Bronze Series 1510 Pumps are obsolete.

## 2BB

ITEM NO.	DESCRIPTION (QTY)	PUMP CONSTRUCTION		
		BRONZE FITTED	BRONZE FITTED WITH WEAR RING	ALL IRON
<b>Parts Common To Both Size Pumps</b>				
8	Volute	N/A**	N/A**	N/A**
	Wear Ring	—	P49130	—
	Volute Drain Plug (4)	P39040	P39040	P39050
3	Volute Capscrew (12)	P03470	P03470	P03470
11	Volute Gasket	P48690	P48690	P48690
15	Coupling	See Coupling Selection Table, Page 48		
14	Coupling Key (Straight) Aug. 1989 (H98) & After	P49373	P49373	P49373
14	Coupling Key (Woodruff) July 1989 (G98) & Before	H32600	H32600	H32600
	For ANSI/OSHA Coupling Guard & Support Bracket Kit Selection, See Chart on Page 49			
<b>Parts for Pumps With 1-1/4" Shaft At Seal</b>				
5	Impeller (State Diameter) 91/2" Full Dia.	P78525†	P78525†	P78486†
6	Impeller Washer	P46380	P46380	P46381
12	Volute Coverplate	186495	186495	186495
4	Seal Kit Buna/Carbon/Ceramic	186862LF	186862LF	186860
4	Seal Kit EPR/Carbon/Tungsten Carbide	186861LF	186861LF	NONE
2	Bearing Frame Assembly	185011LF	185011LF	185012
17	Bearing Frame	P2001125	P2001125	P2001125
19	Shaft	P78927	P78927	P78927
20	Bearing Cap	P75606	P75606	P75606
25	Ball Bearing - Pump End	186002NG	186002NG	186002NG
26	Ball Bearing - Coupling End	186001NG	186001NG	186001NG
22	Stainless Steel Shaft Sleeve Kit - March 2014 (C41) & After	185141	185141	185141
22	Bronze Shaft Sleeve Kit - February 2014 (B41) & Before	185140LF	185140LF	NA
7	Impeller Capscrew	P52350	P52350	P52350
9	Impeller Lockwasher	J23874	J23874	J23874
10	Impeller Key (Straight) Aug. 1989 (H98) & After	P49369	P49369	P49369
10	Impeller Key (Woodruff) July 1989 (G98) & Before	H32500	H32500	H32500
18	Spring Washer	J92558	J92558	J92558
21	Bearing Cap Capscrew (4)	J92291	J92291	J92291
13	Water Slinger	P53550	P53550	P53550
<b>Parts for Pumps With 1-5/8" Shaft At Seal</b>				
5	Impeller (State Diameter) 91/2" Full Dia.	P78255†	P78255†	N/A
6	Impeller Washer	P51230	P51230	P46382
12	Volute Coverplate	P51540	P51540	P51540
4	Seal Kit Buna/Carbon/Ceramic	186543LF	186543LF	186544
4	Seal Kit EPR/Carbon/Tungsten Carbide	185225LF	185225LF	NONE
2	Bearing Frame Assembly	185014LF	185014LF	185015
17	Bearing Frame	P2001127	P2001127	P2001127
19	Shaft	P79027	P79027	P79027
20	Bearing Cap	P75612	P75612	P75612
25	Ball Bearing - Pump End	186571NG	186571NG	186571NG
26	Ball Bearing - Coupling End	186572NG	186572NG	186572NG
22	Stainless Steel Shaft Sleeve Kit - March 2014 (C41) & After	185143	185143	185143
22	Bronze Shaft Sleeve Kit - February 2014 (B41) & Before	185142LF	185142LF	NA
7	Impeller Capscrew	P13800	P13800	P13800
9	Impeller Lockwasher	J23875	J23875	J23875
10	Impeller Key (Straight) Aug. 1989 (H98) & After	P49369	P49369	P49369
10	Impeller Key (Woodruff) July 1989 (G98) & Before	H32700	H32700	H32700
18	Spring Washer	J92560	J92560	J92560
21	Bearing Cap Capscrew (4)	DJ0066	DJ0066	DJ0066
13	Water Slinger	P53720	P53720	P53720

— Factory Recommended Spare Parts.

NA – No Longer Available

†Consult Factory for Delivery.

\*\*The impeller and/or volute are no longer available. This pump can be converted to the current style pump by ordering both the current style impeller and the current style volute.

NOTE: All Bronze Series 1510 Pumps are obsolete.

## 2BC

ITEM NO.	DESCRIPTION (QTY)	PUMP CONSTRUCTION		
		BRONZE FITTED	BRONZE FITTED WITH WEAR RING	ALL IRON
<b>Parts Common To Both Size Pumps</b>				
8	Volute	P42264	P44144*	P42264
	Wear Ring	—	P49130	—
	Volute Drain Plug (4)	P39040	P39040	P39050
3	Volute Capscrew (12)	P03470	P03470	P03470
11	Volute Gasket	P48690	P48690	P48690
15	Coupling	See Coupling Selection Table, Page 48		
14	Coupling Key (Straight) Aug. 1989 (H98) & After	P49373	P49373	P49373
14	Coupling Key (Woodruff) July 1989 (G98) & Before	H32600	H32600	H32600
	For ANSI/OSHA Coupling Guard & Support Bracket Kit Selection, See Chart on Page 49			
<b>Parts for Pumps With 1-1/4" Shaft At Seal</b>				
5	Impeller (State Diameter) 91/2" Full Dia.	P50700	P50700	P50712†
6	Impeller Washer	P46380	P46380	P46381
12	Volute Coverplate	186495	186495	186495
12	Volute Coverplate - "F" Construction	P61451	P61451	NONE
4	Seal Kit Buna/Carbon/Ceramic	186862LF	186862LF	186860
4	Seal Kit EPR/Carbon/Tungsten Carbide	186861LF	186861LF	NONE
2	Bearing Frame Assembly	185011LF	185011LF	185012
17	Bearing Frame	P2001125	P2001125	P2001125
19	Shaft	P78927	P78927	P78927
20	Bearing Cap	P75606	P75606	P75606
25	Ball Bearing - Pump End	186002NG	186002NG	186002NG
26	Ball Bearing - Coupling End	186001NG	186001NG	186001NG
22	Stainless Steel Shaft Sleeve Kit - March 2014 (C41) & After	185141	185141	185141
22	Bronze Shaft Sleeve Kit - February 2014 (B41) & Before	185140LF	185140LF	NA
7	Impeller Capscrew	P52350	P52350	P52350
9	Impeller Lockwasher	J23874	J23874	J23874
10	Impeller Key (Straight) Aug. 1989 (H98) & After	P49369	P49369	P49369
10	Impeller Key (Woodruff) July 1989 (G98) & Before	H32500	H32500	H32500
18	Spring Washer	J92558	J92558	J92558
21	Bearing Cap Capscrew (4)	J92291	J92291	J92291
13	Water Slinger	P53550	P53550	P53550
<b>Parts for Pumps With 1-5/8" Shaft At Seal</b>				
5	Impeller (State Diameter) 91/2" Full Dia.	P50707	P50707	P50714†
6	Impeller Washer	P51230	P51230	P46382
12	Volute Coverplate	P51540	P51540	P51540
12	Volute Coverplate - "F" Construction	P51541	P51541	NONE
4	Seal Kit Buna/Carbon/Ceramic	186543LF	186543LF	186544
4	Seal Kit EPR/Carbon/Tungsten Carbide	185225LF	185225LF	NONE
2	Bearing Frame Assembly	185014LF	185014LF	185015
17	Bearing Frame	P2001127	P2001127	P2001127
19	Shaft	P79027	P79027	P79027
20	Bearing Cap	P75612	P75612	P75612
25	Ball Bearing - Pump End	186571NG	186571NG	186571NG
26	Ball Bearing - Coupling End	186572NG	186572NG	186572NG
22	Stainless Steel Shaft Sleeve Kit - March 2014 (C41) & After	185143	185143	185143
22	Bronze Shaft Sleeve Kit - February 2014 (B41) & Before	185142LF	185142LF	NA
7	Impeller Capscrew	P13800	P13800	P13800
9	Impeller Lockwasher	J23875	J23875	J23875
10	Impeller Key (Straight) Aug. 1989 (H98) & After	P49372	P49372	P49372
10	Impeller Key (Woodruff) July 1989 (G98) & Before	H32700	H32700	H32700
18	Spring Washer	J92560	J92560	J92560
21	Bearing Cap Capscrew (4)	DJ0066	DJ0066	DJ0066
13	Water Slinger	P53720	P53720	P53720

— Factory Recommended Spare Parts.

\*Includes Wear Ring.

†Consult Factory for Delivery.

NA – No Longer Available

NOTE: All Bronze Series 1510 Pumps are obsolete.

## 2-1/2B

ITEM NO.	DESCRIPTION (QTY)	PUMP CONSTRUCTION		
		BRONZE FITTED	BRONZE FITTED WITH WEAR RING	ALL IRON
<b>Parts Common To Both Size Pumps</b>				
8	Volute	N/A**	N/A**	N/A**
	Wear Ring	—	P49130	—
	Volute Drain Plug (4)	P39040	P39040	P39050
3	Volute Capscrew (12)	P03470	P03470	P03470
11	Volute Gasket	P48690	P48690	P48690
15	Coupling	See Coupling Selection Table, Page 48		
14	Coupling Key (Straight) Aug. 1989 (H98) & After	P49373	P49373	P49373
14	Coupling Key (Woodruff) July 1989 (G98) & Before	H32600	H32600	H32600
	For ANSI/OSHA Coupling Guard & Support Bracket Kit Selection, See Chart on Page 49			
<b>Parts for Pumps With 1-1/4" Shaft At Seal</b>				
5	Impeller (State Diameter) 91/2" Full Dia.	P78525†	P78525†	P78486†
6	Impeller Washer	P46380	P46380	P46381
12	Volute Coverplate	186495	186495	186495
4	Seal Kit Buna/Carbon/Ceramic	186862LF	186862LF	186860
4	Seal Kit EPR/Carbon/Tungsten Carbide	186861LF	186861LF	NONE
2	Bearing Frame Assembly	185011LF	185011LF	185012
17	Bearing Frame	P2001125	P2001125	P2001125
19	Shaft	P78927	P78927	P78927
20	Bearing Cap	P75606	P75606	P75606
25	Ball Bearing - Pump End	186002NG	186002NG	186002NG
26	Ball Bearing - Coupling End	186001NG	186001NG	186001NG
22	Stainless Steel Shaft Sleeve Kit - March 2014 (C41) & After	185141	185141	185141
22	Bronze Shaft Sleeve Kit - February 2014 (B41) & Before	185140LF	185140LF	NA
7	Impeller Capscrew	P52350	P52350	P52350
9	Impeller Lockwasher	J23874	J23874	J23874
10	Impeller Key (Straight) Aug. 1989 (H98) & After	P49369	P49369	P49369
10	Impeller Key (Woodruff) July 1989 (G98) & Before	H32500	H32500	H32500
18	Spring Washer	J92558	J92558	J92558
21	Bearing Cap Capscrew (4)	J92291	J92291	J92291
13	Water Slinger	P53550	P53550	P53550
<b>Parts for Pumps With 1-5/8" Shaft At Seal</b>				
5	Impeller (State Diameter) 91/2" Full Dia.	P78255†	P78255†	N/A**
6	Impeller Washer	P51230	P51230	P46382
12	Volute Coverplate	P51540	P51540	P51540
4	Seal Kit Buna/Carbon/Ceramic	186543LF	186543LF	186544
4	Seal Kit EPR/Carbon/Tungsten Carbide	185225LF	185225LF	NONE
2	Bearing Frame Assembly	185014LF	185014LF	185015
17	Bearing Frame	P2001127	P2001127	P2001127
19	Shaft	P79027	P79027	P79027
20	Bearing Cap	P75612	P75612	P75612
25	Ball Bearing - Pump End	186571NG	186571NG	186571NG
26	Ball Bearing - Coupling End	186572NG	186572NG	186572NG
22	Stainless Steel Shaft Sleeve Kit - March 2014 (C41) & After	185143	185143	185143
22	Bronze Shaft Sleeve Kit - February 2014 (B41) & Before	185142LF	185142LF	NA
7	Impeller Capscrew	P13800	P13800	P13800
9	Impeller Lockwasher	J23875	J23875	J23875
10	Impeller Key (Straight) Aug. 1989 (H98) & After	P49372	P49372	P49372
10	Impeller Key (Woodruff) July 1989 (G98) & Before	H32700	H32700	H32700
18	Spring Washer	J92560	J92560	J92560
21	Bearing Cap Capscrew (4)	DJ0066	DJ0066	DJ0066
13	Water Slinger	P53720	P53720	P53720

— Factory Recommended Spare Parts.

NA – No Longer Available

†Consult Factory for Delivery.

\*\*The impeller and/or volute are no longer available. This pump can be converted to the current style pump by ordering both the current style impeller and the current style volute.

NOTE: All Bronze Series 1510 Pumps are obsolete.

## 2-1/2BB

ITEM NO.	DESCRIPTION (QTY)	PUMP CONSTRUCTION		
		BRONZE FITTED	BRONZE FITTED WITH WEAR RING	ALL IRON
<b>Parts Common To Both Size Pumps</b>				
8	Volute	P42542	P44146*	P42542
	Wear Ring	—	P49870	—
	Volute Drain Plug (4)	P39040	P39040	P39050
3	Volute Capscrew (12)	P03470	P03470	P03470
11	Volute Gasket	P48690	P48690	P48690
15	Coupling	See Coupling Selection Table, Page 48		
14	Coupling Key (Straight) Aug. 1989 (H98) & After	P49373	P49373	P49373
14	Coupling Key (Woodruff) July 1989 (G98) & Before	H32600	H32600	H32600
	For ANSI/OSHA Coupling Guard & Support Bracket Kit Selection, See Chart on Page 49			
<b>Parts for Pumps With 1-1/4" Shaft At Seal</b>				
5	Impeller (State Diameter) 91/2" Full Dia.	P50732	P50732	P50744†
6	Impeller Washer	P46380	P46380	P46381
12	Volute Coverplate	186495	186495	186495
12	Volute Coverplate - "F" Construction	P61451	P61451	NONE
4	Seal Kit Buna/Carbon/Ceramic	186862LF	186862LF	186860
4	Seal Kit EPR/Carbon/Tungsten Carbide	186861LF	186861LF	NONE
2	Bearing Frame Assembly	185011LF	185011LF	185012
17	Bearing Frame	P2001125	P2001125	P2001125
19	Shaft	P78927	P78927	P78927
20	Bearing Cap	P75606	P75606	P75606
25	Ball Bearing - Pump End	186002NG	186002NG	186002NG
26	Ball Bearing - Coupling End	186001NG	186001NG	186001NG
22	Stainless Steel Shaft Sleeve Kit - March 2014 (C41) & After	185141	185141	185141
22	Bronze Shaft Sleeve Kit - February 2014 (B41) & Before	185140LF	185140LF	NA
7	Impeller Capscrew	P52350	P52350	P52350
9	Impeller Lockwasher	J23874	J23874	J23874
10	Impeller Key (Straight) Aug. 1989 (H98) & After	P49369	P49369	P49369
10	Impeller Key (Woodruff) July 1989 (G98) & Before	H32500	H32500	H32500
18	Spring Washer	J92558	J92558	J92558
21	Bearing Cap Capscrew (4)	J92291	J92291	J92291
13	Water Slinger	P53550	P53550	P53550
<b>Parts for Pumps With 1-5/8" Shaft At Seal</b>				
5	Impeller (State Diameter) 91/2" Full Dia.	P50739	P50739	P50746†
6	Impeller Washer	P51230	P51230	P46382
12	Volute Coverplate	P51540	P51540	P51540
12	Volute Coverplate - "F" Construction	P51541	P51541	NONE
4	Seal Kit Buna/Carbon/Ceramic	186543LF	186543LF	186544
4	Seal Kit EPR/Carbon/Tungsten Carbide	185225LF	185225LF	NONE
2	Bearing Frame Assembly	185014LF	185014LF	185015
17	Bearing Frame	P2001127	P2001127	P2001127
19	Shaft	P79027	P79027	P79027
20	Bearing Cap	P75612	P75612	P75612
25	Ball Bearing - Pump End	186571NG	186571NG	186571NG
26	Ball Bearing - Coupling End	186572NG	186572NG	186572NG
22	Stainless Steel Shaft Sleeve Kit - March 2014 (C41) & After	185143	185143	185143
22	Bronze Shaft Sleeve Kit - February 2014 (B41) & Before	185142LF	185142LF	NA
7	Impeller Capscrew	P13800	P13800	P13800
9	Impeller Lockwasher	J23875	J23875	J23875
10	Impeller Key (Straight) Aug. 1989 (H98) & After	P49372	P49372	P49372
10	Impeller Key (Woodruff) July 1989 (G98) & Before	H32700	H32700	H32700
18	Spring Washer	J92560	J92560	J92560
21	Bearing Cap Capscrew (4)	DJ0066	DJ0066	DJ0066
13	Water Slinger	P53720	P53720	P53720

— Factory Recommended Spare Parts.

\*Includes Wear Ring.

†Consult Factory for Delivery.

NA – No Longer Available

NOTE: All Bronze Series 1510 Pumps are obsolete.

## 3BB

ITEM NO.	DESCRIPTION (QTY)	PUMP CONSTRUCTION		
		BRONZE FITTED	BRONZE FITTED WITH WEAR RING	ALL IRON
<b>Parts Common To Both Size Pumps</b>				
8	Volute	P42740†	N/A**	P42740†
	Wear Ring	—	P50590	—
	Volute Drain Plug (4)	P39040	P39040	P39050
	Volute Capscrew (12)	P03470	P03470	P03470
11	Volute Gasket	P48690	P48690	P48690
15	Coupling	See Coupling Selection Table, Page 48		
14	Coupling Key (Straight) Aug. 1989 (H98) & After	P49373	P49373	P49373
14	Coupling Key (Woodruff) July 1989 (G98) & Before	H32600	H32600	H32600
	For ANSI/OSHA Coupling Guard & Support Bracket Kit Selection, See Chart on Page 49			
<b>Parts for Pumps With 1-1/4" Shaft At Seal</b>				
5	Impeller (State Diameter) 91/2" Full Dia.	P49620†	P49620†	P49600†
6	Impeller Washer	P46380	P46380	P46381
12	Volute Coverplate	186495	186495	186495
12	Volute Coverplate - "F" Construction	P61451	P61451	NONE
4	Seal Kit Buna/Carbon/Ceramic	186862LF	186862LF	186860
4	Seal Kit EPR/Carbon/Tungsten Carbide	186861LF	186861LF	NONE
2	Bearing Frame Assembly	185011LF	185011LF	185012
17	Bearing Frame	P2001125	P2001125	P2001125
19	Shaft	P78927	P78927	P78927
20	Bearing Cap	P75606	P75606	P75606
25	Ball Bearing - Pump End	186002NG	186002NG	186002NG
26	Ball Bearing - Coupling End	186001NG	186001NG	186001NG
22	Stainless Steel Shaft Sleeve Kit - March 2014 (C41) & After	185141	185141	185141
22	Bronze Shaft Sleeve Kit - February 2014 (B41) & Before	185140LF	185140LF	NA
7	Impeller Capscrew	P52350	P52350	P52350
9	Impeller Lockwasher	J23874	J23874	J23874
10	Impeller Key (Straight) Aug. 1989 (H98) & After	P49369	P49369	P49369
10	Impeller Key (Woodruff) July 1989 (G98) & Before	H32500	H32500	H32500
18	Spring Washer	J92558	J92558	J92558
21	Bearing Cap Capscrew (4)	J92291	J92291	J92291
13	Water Slinger	P53550	P53550	P53550
<b>Parts for Pumps With 1-5/8" Shaft At Seal</b>				
5	Impeller (State Diameter) 91/2" Full Dia.	P49640†	P49640†	P49660†
6	Impeller Washer	P51230	P51230	P46382
12	Volute Coverplate	P51540	P51540	P51540
12	Volute Coverplate - "F" Construction	P51541	P51541	NONE
4	Seal Kit Buna/Carbon/Ceramic	186543LF	186543LF	186544
4	Seal Kit EPR/Carbon/Tungsten Carbide	185225LF	185225LF	NONE
2	Bearing Frame Assembly	185014LF	185014LF	185015
17	Bearing Frame	P2001127	P2001127	P2001127
19	Shaft	P79027	P79027	P79027
20	Bearing Cap	P75612	P75612	P75612
25	Ball Bearing - Pump End	186571NG	186571NG	186571NG
26	Ball Bearing - Coupling End	186572NG	186572NG	186572NG
22	Stainless Steel Shaft Sleeve Kit - March 2014 (C41) & After	185143	185143	185143
22	Bronze Shaft Sleeve Kit - February 2014 (B41) & Before	185142LF	185142LF	NA
7	Impeller Capscrew	P13800	P13800	P13800
9	Impeller Lockwasher	J23875	J23875	J23875
10	Impeller Key (Straight) Aug. 1989 (H98) & After	P49372	P49372	P49372
10	Impeller Key (Woodruff) July 1989 (G98) & Before	H32700	H32700	H32700
18	Spring Washer	J92560	J92560	J92560
21	Bearing Cap Capscrew (4)	DJ0066	DJ0066	DJ0066
13	Water Slinger	P53720	P53720	P53720

— Factory Recommended Spare Parts.

NA – No Longer Available

†Consult Factory for Delivery.

\*\*The impeller and/or volute are no longer available. This pump can be converted to the current style pump by ordering both the current style impeller and the current style volute.

NOTE: All Bronze Series 1510 Pumps are obsolete.



## 3BC

ITEM NO.	DESCRIPTION (QTY)	PUMP CONSTRUCTION		
		BRONZE FITTED	BRONZE FITTED WITH WEAR RING	ALL IRON
<b>Parts Common To Both Size Pumps</b>				
8	Volute	P71536	P71537*	P71536
	Wear Ring	—	P50650	—
	Volute Drain Plug (4)	P39040	P39040	P39050
	Volute Capscrew (12)	P03470	P03470	P03470
11	Volute Gasket	P48690	P48690	P48690
15	Coupling	See Coupling Selection Table, Page 48		
14	Coupling Key (Straight) Aug. 1989 (H98) & After	P49373	P49373	P49373
14	Coupling Key (Woodruff) July 1989 (G98) & Before	H32600	H32600	H32600
	For ANSI/OSHA Coupling Guard & Support Bracket Kit Selection, See Chart on Page 49			
<b>Parts for Pumps With 1-1/4" Shaft At Seal</b>				
5	Impeller (State Diameter) 91/2" Full Dia.	P71542	P71542	P71548†
6	Impeller Washer	P46380	P46380	P46381
12	Volute Coverplate	186495	186495	186495
12	Volute Coverplate - "F" Construction	P61451	P61451	NONE
4	Seal Kit Buna/Carbon/Ceramic	186862LF	186862LF	186860
4	Seal Kit EPR/Carbon/Tungsten Carbide	186861LF	186861LF	NONE
2	Bearing Frame Assembly	185011LF	185011LF	185012
17	Bearing Frame	P2001125	P2001125	P2001125
19	Shaft	P78927	P78927	P78927
20	Bearing Cap	P75606	P75606	P75606
25	Ball Bearing - Pump End	186002NG	186002NG	186002NG
26	Ball Bearing - Coupling End	186001NG	186001NG	186001NG
22	Stainless Steel Shaft Sleeve Kit - March 2014 (C41) & After	185141	185141	185141
22	Bronze Shaft Sleeve Kit - February 2014 (B41) & Before	185140LF	185140LF	NA
7	Impeller Capscrew	P52350	P52350	P52350
9	Impeller Lockwasher	J23874	J23874	J23874
10	Impeller Key (Straight) Aug. 1989 (H98) & After	P49369	P49369	P49369
10	Impeller Key (Woodruff) July 1989 (G98) & Before	H32500	H32500	H32500
18	Spring Washer	J92558	J92558	J92558
21	Bearing Cap Capscrew (4)	J92291	J92291	J92291
13	Water Slinger	P53550	P53550	P53550
<b>Parts for Pumps With 1-5/8" Shaft At Seal</b>				
5	Impeller (State Diameter) 91/2" Full Dia.	P71545	P71545	P71551†
6	Impeller Washer	P51230	P51230	P46382
12	Volute Coverplate	P51540	P51540	P51540
12	Volute Coverplate - "F" Construction	P51541	P51541	NONE
4	Seal Kit Buna/Carbon/Ceramic	186543LF	186543LF	186544
4	Seal Kit EPR/Carbon/Tungsten Carbide	185225LF	185225LF	NONE
2	Bearing Frame Assembly	185014LF	185014LF	185015
17	Bearing Frame	P2001127	P2001127	P2001127
19	Shaft	P79027	P79027	P79027
20	Bearing Cap	P75612	P75612	P75612
25	Ball Bearing - Pump End	186571NG	186571NG	186571NG
26	Ball Bearing - Coupling End	186572NG	186572NG	186572NG
22	Stainless Steel Shaft Sleeve Kit - March 2014 (C41) & After	185143	185143	185143
22	Bronze Shaft Sleeve Kit - February 2014 (B41) & Before	185142LF	185142LF	NA
7	Impeller Capscrew	P13800	P13800	P13800
9	Impeller Lockwasher	J23875	J23875	J23875
10	Impeller Key (Straight) Aug. 1989 (H98) & After	P49372	P49372	P49372
10	Impeller Key (Woodruff) July 1989 (G98) & Before	H32700	H32700	H32700
18	Spring Washer	J92560	J92560	J92560
21	Bearing Cap Capscrew (4)	DJ0066	DJ0066	DJ0066
13	Water Slinger	P53720	P53720	P53720

— Factory Recommended Spare Parts.

\*Includes Wear Ring.

†Consult Factory for Delivery.

NA – No Longer Available

NOTE: All Bronze Series 1510 Pumps are obsolete.

## 4BB

ITEM NO.	DESCRIPTION (QTY)	PUMP CONSTRUCTION		
		BRONZE FITTED	BRONZE FITTED WITH WEAR RING	ALL IRON
<b>Parts Common To Both Size Pumps</b>				
8	Volute	N/A**	N/A**	N/A**
	Wear Ring	—	N/A	—
	Volute Drain Plug (4)	P39040	P39040	P39050
3	Volute Capscrew (12)	P03470	P03470	P03470
11	Volute Gasket	P48690	P48690	P48690
15	Coupling	See Coupling Selection Table, Page 48		
14	Coupling Key (Straight) Aug. 1989 (H98) & After	P49373	P49373	P49373
14	Coupling Key (Woodruff) July 1989 (G98) & Before	H32600	H32600	H32600
	For ANSI/OSHA Coupling Guard & Support Bracket Kit Selection, See Chart on Page 49			
<b>Parts for Pumps With 1-1/4" Shaft At Seal</b>				
5	Impeller (State Diameter) 91/2" Full Dia.	P50550†	P50550†	P50390†
6	Impeller Washer	P46380	P46380	P46381
12	Volute Coverplate	186495	186495	186495
4	Seal Kit Buna/Carbon/Ceramic	186862LF	186862LF	186860
4	Seal Kit EPR/Carbon/Tungsten Carbide	186861LF	186861LF	NONE
2	Bearing Frame Assembly Consisting of:	185011LF	185011LF	185012
17	Bearing Frame	P2001125	P2001125	P2001125
19	Shaft	P78927	P78927	P78927
20	Bearing Cap	P75606	P75606	P75606
25	Ball Bearing - Pump End	186002NG	186002NG	186002NG
26	Ball Bearing - Coupling End	186001NG	186001NG	186001NG
22	Stainless Steel Shaft Sleeve Kit - March 2014 (C41) & After	185141	185141	185141
22	Bronze Shaft Sleeve Kit - February 2014 (B41) & Before	185140LF	185140LF	NA
7	Impeller Capscrew	P52350	P52350	P52350
9	Impeller Lockwasher	J23874	J23874	J23874
10	Impeller Key (Straight) Aug. 1989 (H98) & After	P49369	P49369	P49369
10	Impeller Key (Woodruff) July 1989 (G98) & Before	H32500	H32500	H32500
18	Spring Washer	J92558	J92558	J92558
21	Bearing Cap Capscrew (4)	J92291	J92291	J92291
13	Water Slinger	P53550	P53550	P53550
<b>Parts for Pumps With 1-5/8" Shaft At Seal</b>				
5	Impeller (State Diameter) 91/2" Full Dia.	P50570†	P50570†	P50330†
6	Impeller Washer	P51230	P51230	P46382
12	Volute Coverplate	P51540	P51540	P51540
4	Seal Kit Buna/Carbon/Ceramic	186543LF	186543LF	186544
4	Seal Kit EPR/Carbon/Tungsten Carbide	185225LF	185225LF	NONE
2	Bearing Frame Assembly Consisting of:	185014LF	185014LF	185015
17	Bearing Frame	P2001127	P2001127	P2001127
19	Shaft	P79027	P79027	P79027
20	Bearing Cap	P75612	P75612	P75612
25	Ball Bearing - Pump End	186571NG	186571NG	186571NG
26	Ball Bearing - Coupling End	186572NG	186572NG	186572NG
22	Stainless Steel Shaft Sleeve Kit - March 2014 (C41) & After	185143	185143	185143
22	Bronze Shaft Sleeve Kit - February 2014 (B41) & Before	185142LF	185142LF	NA
7	Impeller Capscrew	P13800	P13800	P13800
9	Impeller Lockwasher	J23875	J23875	J23875
10	Impeller Key (Straight) Aug. 1989 (H98) & After	P49372	P49372	P49372
10	Impeller Key (Woodruff) July 1989 (G98) & Before	H32700	H32700	H32700
18	Spring Washer	J92560	J92560	J92560
21	Bearing Cap Capscrew (4)	DJ0066	DJ0066	DJ0066
13	Water Slinger	P53720	P53720	P53720

— Factory Recommended Spare Parts.

NA – No Longer Available

†Consult Factory for Delivery.

\*\*The impeller and/or volute are no longer available. This pump can be converted to the current style pump by ordering both the current style impeller and the current style volute.

NOTE: All Bronze Series 1510 Pumps are obsolete.

## 4BC

ITEM NO.	DESCRIPTION (QTY)	PUMP CONSTRUCTION		
		BRONZE FITTED	BRONZE FITTED WITH WEAR RING	ALL IRON
<b>Parts Common To Both Size Pumps</b>				
8	Volute	P43362	P44147*	P43362
	Wear Ring	—	P49142	—
	Volute Drain Plug (4)	P39040	P39040	P39050
	Volute Capscrew (12)	P03470	P03470	P03470
11	Volute Gasket	P48690	P48690	P48690
15	Coupling	See Coupling Selection Table, Page 48		
14	Coupling Key (Straight) Aug. 1989 (H98) & After	P49373	P49373	P49373
14	Coupling Key (Woodruff) July 1989 (G98) & Before	H32600	H32600	H32600
	For ANSI/OSHA Coupling Guard & Support Bracket Kit Selection, See Chart on Page 49			
<b>Parts for Pumps With 1-1/4" Shaft At Seal</b>				
5	Impeller (State Diameter) 91/2" Full Dia.	P50748	P50748	P50757†
6	Impeller Washer	P46380	P46380	P46381
12	Volute Coverplate	186495	186495	186495
12	Volute Coverplate - "F" Construction	P61451	P61451	NONE
4	Seal Kit Buna/Carbon/Ceramic	186862LF	186862LF	186860
4	Seal Kit EPR/Carbon/Tungsten Carbide	186861LF	186861LF	NONE
2	Bearing Frame Assembly	185011LF	185011LF	185012
17	Bearing Frame	P2001125	P2001125	P2001125
19	Shaft	P78927	P78927	P78927
20	Bearing Cap	P75606	P75606	P75606
25	Ball Bearing - Pump End	186002NG	186002NG	186002NG
26	Ball Bearing - Coupling End	186001NG	186001NG	186001NG
22	Stainless Steel Shaft Sleeve Kit - March 2014 (C41) & After	185141	185141	185141
22	Bronze Shaft Sleeve Kit - February 2014 (B41) & Before	185140LF	185140LF	NA
7	Impeller Capscrew	P52350	P52350	P52350
9	Impeller Lockwasher	J23874	J23874	J23874
10	Impeller Key (Straight) Aug. 1989 (H98) & After	P49369	P49369	P49369
10	Impeller Key (Woodruff) July 1989 (G98) & Before	H32500	H32500	H32500
18	Spring Washer	J92558	J92558	J92558
21	Bearing Cap Capscrew (4)	J92291	J92291	J92291
13	Water Slinger	P53550	P53550	P53550
<b>Parts for Pumps With 1-5/8" Shaft At Seal</b>				
5	Impeller (State Diameter) 91/2" Full Dia.	P50755	P50755	P50759†
6	Impeller Washer	P51230	P51230	P46382
12	Volute Coverplate	P51540	P51540	P51540
12	Volute Coverplate - "F" Construction	P51541	P51541	NONE
4	Seal Kit Buna/Carbon/Ceramic	186543LF	186543LF	186544
4	Seal Kit EPR/Carbon/Tungsten Carbide	185225LF	185225LF	NONE
2	Bearing Frame Assembly	185014LF	185014LF	185015
17	Bearing Frame	P2001127	P2001127	P2001127
19	Shaft	P79027	P79027	P79027
20	Bearing Cap	P75612	P75612	P75612
25	Ball Bearing - Pump End	186571NG	186571NG	186571NG
26	Ball Bearing - Coupling End	186572NG	186572NG	186572NG
22	Stainless Steel Shaft Sleeve Kit - March 2014 (C41) & After	185143	185143	185143
22	Bronze Shaft Sleeve Kit - February 2014 (B41) & Before	185142LF	185142LF	NA
7	Impeller Capscrew	P13800	P13800	P13800
9	Impeller Lockwasher	J23875	J23875	J23875
10	Impeller Key (Straight) Aug. 1989 (H98) & After	P49372	P49372	P49372
10	Impeller Key (Woodruff) July 1989 (G98) & Before	H32700	H32700	H32700
18	Spring Washer	J92560	J92560	J92560
21	Bearing Cap Capscrew (4)	DJ0066	DJ0066	DJ0066
13	Water Slinger	P53720	P53720	P53720

— Factory Recommended Spare Parts.

\*Includes Wear Ring.

†Consult Factory for Delivery.

NA – No Longer Available

NOTE: All Bronze Series 1510 Pumps are obsolete.

## 5BB

ITEM NO.	DESCRIPTION (QTY)	PUMP CONSTRUCTION		
		BRONZE FITTED	BRONZE FITTED WITH WEAR RING	ALL IRON
<b>Parts Common To Both Size Pumps</b>				
8	Volute	N/A**	N/A**	N/A**
	Wear Ring	—	P50990	—
	Volute Drain Plug (4)	P39040	P39040	P39050
3	Volute Capscrew (12)	P03470	P03470	P03470
11	Volute Gasket	P48690	P48690	P48690
15	Coupling	See Coupling Selection Table, Page 48		
14	Coupling Key (Straight) Aug. 1989 (H98) & After	P49373	P49373	P49373
14	Coupling Key (Woodruff) July 1989 (G98) & Before	H32600	H32600	H32600
	For ANSI/OSHA Coupling Guard & Support Bracket Kit Selection, See Chart on Page 49			
<b>Parts for Pumps With 1-1/4" Shaft At Seal</b>				
5	Impeller (State Diameter) 91/2" Full Dia.	P50930†	P50930†	N/A**
6	Impeller Washer	P46380	P46380	P46381
12	Volute Coverplate	186495	186495	186495
4	Seal Kit Buna/Carbon/Ceramic	186862LF	186862LF	186860
4	Seal Kit EPR/Carbon/Tungsten Carbide	186861LF	186861LF	NONE
2	Bearing Frame Assembly	185011LF	185011LF	185012
17	Bearing Frame	P2001125	P2001125	P2001125
19	Shaft	P78927	P78927	P78927
20	Bearing Cap	P75606	P75606	P75606
25	Ball Bearing - Pump End	186002NG	186002NG	186002NG
26	Ball Bearing - Coupling End	186001NG	186001NG	186001NG
22	Stainless Steel Shaft Sleeve Kit - March 2014 (C41) & After	185141	185141	185141
22	Bronze Shaft Sleeve Kit - February 2014 (B41) & Before	185140LF	185140LF	NA
7	Impeller Capscrew	P52350	P52350	P52350
9	Impeller Lockwasher	J23874	J23874	J23874
10	Impeller Key (Straight) Aug. 1989 (H98) & After	P49369	P49369	P49369
10	Impeller Key (Woodruff) July 1989 (G98) & Before	H32500	H32500	H32500
18	Spring Washer	J92558	J92558	J92558
21	Bearing Cap Capscrew (4)	J92291	J92291	J92291
13	Water Slinger	P53550	P53550	P53550
<b>Parts for Pumps With 1-5/8" Shaft At Seal</b>				
5	Impeller (State Diameter) 91/2" Full Dia.	P50970†	P50970†	N/A**
6	Impeller Washer	P51230	P51230	P46382
12	Volute Coverplate	P51540	P51540	P51540
4	Seal Kit Buna/Carbon/Ceramic	186543LF	186543LF	186544
4	Seal Kit EPR/Carbon/Tungsten Carbide	185225LF	185225LF	NONE
2	Bearing Frame Assembly	185014LF	185014LF	185015
17	Bearing Frame	P2001127	P2001127	P2001127
19	Shaft	P79027	P79027	P79027
20	Bearing Cap	P75612	P75612	P75612
23	Bearing Locknut	P76922	P76922	P76922
24	Bearing Lockwasher	P77375	P77375	P77375
25	Ball Bearing - Pump End	186571NG	186571NG	186571NG
26	Ball Bearing - Coupling End	186572NG	186572NG	186572NG
22	Stainless Steel Shaft Sleeve Kit - March 2014 (C41) & After	185143	185143	185143
22	Bronze Shaft Sleeve Kit - February 2014 (B41) & Before	185142LF	185142LF	NA
7	Impeller Capscrew	P13800	P13800	P13800
9	Impeller Lockwasher	J23875	J23875	J23875
10	Impeller Key (Straight) Aug. 1989 (H98) & After	P49372	P49372	P49372
10	Impeller Key (Woodruff) July 1989 (G98) & Before	H32700	H32700	H32700
18	Spring Washer	J92560	J92560	J92560
21	Bearing Cap Capscrew (4)	DJ0066	DJ0066	DJ0066
13	Water Slinger	P53720	P53720	P53720

— Factory Recommended Spare Parts.

NA – No Longer Available

†Consult Factory for Delivery.

\*\*The impeller and/or volute are no longer available. This pump can be converted to the current style pump by ordering both the current style impeller and the current style volute.

NOTE: All Bronze Series 1510 Pumps are obsolete.

## 5BC

ITEM NO.	DESCRIPTION (QTY)	PUMP CONSTRUCTION		
		BRONZE FITTED	BRONZE FITTED WITH WEAR RING	ALL IRON
<b>Parts Common To Both Size Pumps</b>				
8	Volute	P43678	P43863*	P43678
	Wear Ring	—	P49143	—
	Volute Drain Plug (4)	P39040	P39040	P39050
	Volute Capscrew (12)	P03470	P03470	P03470
11	Volute Gasket	P48690	P48690	P48690
15	Coupling	See Coupling Selection Table, Page 48		
14	Coupling Key (Straight) Aug. 1989 (H98) & After	P49373	P49373	P49373
14	Coupling Key (Woodruff) July 1989 (G98) & Before	H32600	H32600	H32600
	For ANSI/OSHA Coupling Guard & Support Bracket Kit Selection, See Chart on Page 49			
<b>Parts for Pumps With 1-1/4" Shaft At Seal</b>				
5	Impeller (State Diameter) 91/2" Full Dia.	P50822	P50822	P50824†
6	Impeller Washer	P46380	P46380	P46381
12	Volute Coverplate	186495	186495	186495
12	Volute Coverplate - "F" Construction	P61451	P61451	NONE
4	Seal Kit Buna/Carbon/Ceramic	186862LF	186862LF	186860
4	Seal Kit EPR/Carbon/Tungsten Carbide	186861LF	186861LF	NONE
2	Bearing Frame Assembly	185011LF	185011LF	185012
17	Bearing Frame	P2001125	P2001125	P2001125
19	Shaft	P78927	P78927	P78927
20	Bearing Cap	P75606	P75606	P75606
25	Ball Bearing - Pump End	186002NG	186002NG	186002NG
26	Ball Bearing - Coupling End	186001NG	186001NG	186001NG
22	Stainless Steel Shaft Sleeve Kit - March 2014 (C41) & After	185141	185141	185141
22	Bronze Shaft Sleeve Kit - February 2014 (B41) & Before	185140LF	185140LF	NA
7	Impeller Capscrew	P52350	P52350	P52350
9	Impeller Lockwasher	J23874	J23874	J23874
10	Impeller Key (Straight) Aug. 1989 (H98) & After	P49369	P49369	P49369
10	Impeller Key (Woodruff) July 1989 (G98) & Before	H32500	H32500	H32500
18	Spring Washer	J92558	J92558	J92558
21	Bearing Cap Capscrew (4)	J92291	J92291	J92291
13	Water Slinger	P53550	P53550	P53550
<b>Parts for Pumps With 1-5/8" Shaft At Seal</b>				
5	Impeller (State Diameter) 91/2" Full Dia.	P50832	P50832	P50834†
6	Impeller Washer	P51230	P51230	P46382
12	Volute Coverplate	P51540	P51540	P51540
12	Volute Coverplate - "F" Construction	P51541	P51541	NONE
4	Seal Kit Buna/Carbon/Ceramic	186543LF	186543LF	186544
4	Seal Kit EPR/Carbon/Tungsten Carbide	185225LF	185225LF	NONE
2	Bearing Frame Assembly	185014LF	185014LF	185015
17	Bearing Frame	P2001127	P2001127	P2001127
19	Shaft	P79027	P79027	P79027
20	Bearing Cap	P75612	P75612	P75612
25	Ball Bearing - Pump End	186571NG	186571NG	186571NG
26	Ball Bearing - Coupling End	186572NG	186572NG	186572NG
22	Stainless Steel Shaft Sleeve Kit - March 2014 (C41) & After	185143	185143	185143
22	Bronze Shaft Sleeve Kit - February 2014 (B41) & Before	185142LF	185142LF	NA
7	Impeller Capscrew	P13800	P13800	P13800
9	Impeller Lockwasher	J23875	J23875	J23875
10	Impeller Key (Straight) Aug. 1989 (H98) & After	P49372	P49372	P49372
10	Impeller Key (Woodruff) July 1989 (G98) & Before	H32700	H32700	H32700
18	Spring Washer	J92560	J92560	J92560
21	Bearing Cap Capscrew (4)	DJ0066	DJ0066	DJ0066
13	Water Slinger	P53720	P53720	P53720

— Factory Recommended Spare Parts.

\*Includes Wear Ring.

†Consult Factory for Delivery.

NA – No Longer Available

NOTE: All Bronze Series 1510 Pumps are obsolete.

**6BB & 6BC**

ITEM NO.	DESCRIPTION (QTY)	PUMP CONSTRUCTION		
		BRONZE FITTED	BRONZE FITTED WITH WEAR RING	ALL IRON
8	Volute**	P43692	P43864*	P43692
	Wear Ring	—	P49144	—
	Volute Drain Plug (4)	P39040	P39040	P39050
	Volute Capscrew (12)	P03470	P03470	P03470
11	Volute Gasket	P48690	P48690	P48690
15	Coupling	See Coupling Selection Table, Page 48		
14	Coupling Key (Straight) Aug. 1989 (H98) & After	P49373	P49373	P49373
14	Coupling Key (Woodruff) July 1989 (G98) & Before	H32600	H32600	H32600
	For ANSI/OSHA Coupling Guard & Support Bracket Kit Selection, See Chart on Page 49			
5	Impeller (State Diameter)** 91/2" Full Dia.	P50842	P50842	P50844†
6	Impeller Washer	P51230	P51230	P46382
12	Volute Coverplate	P51540	P51540	P51540
12	Volute Coverplate - "F" Construction	P51541	P51541	NONE
4	Seal Kit Buna/Carbon/Ceramic	186543LF	186543LF	186544
4	Seal Kit EPR/Carbon/Tungsten Carbide	185225LF	185225LF	NONE
2	Bearing Frame Assembly	185014LF	185014LF	185015
17	Bearing Frame	P2001127	P2001127	P2001127
19	Shaft	P79027	P79027	P79027
20	Bearing Cap	P75612	P75612	P75612
25	Ball Bearing - Pump End	186571NG	186571NG	186571NG
26	Ball Bearing - Coupling End	186572NG	186572NG	186572NG
22	Stainless Steel Shaft Sleeve Kit - March 2014 (C41) & After	185143	185143	185143
22	Bronze Shaft Sleeve Kit - February 2014 (B41) & Before	185142LF	185142LF	NA
7	Impeller Capscrew	P13800	P13800	P13800
9	Impeller Lockwasher	J23875	J23875	J23875
10	Impeller Key (Straight) Aug. 1989 (H98) & After	P49372	P49372	P49372
10	Impeller Key (Woodruff) July 1989 (G98) & Before	H32700	H32700	H32700
18	Spring Washer	J92560	J92560	J92560
21	Bearing Cap Capscrew (4)	DJ0066	DJ0066	DJ0066
13	Water Slinger	P53720	P53720	P53720

— Factory Recommended Spare Parts.

\*\* Parts not suitable for 6BB. If impeller or volute is required for 6BB, both must be changed to convert to a current style pump.

\*Includes Wear Ring.

NA – No Longer Available

†Consult Factory for Delivery.

**2CB**

ITEM NO.	DESCRIPTION (QTY)	PUMP CONSTRUCTION		
		BRONZE FITTED	BRONZE FITTED WITH WEAR RING	ALL IRON
8	Volute	N/A**	N/A**	N/A**
	Wear Ring	—	P49144	—
	Volute Drain Plug (4)	P39040	P39040	P39050
3	Volute Capscrew (16)	P13780	P13780	P13780
11	Volute Gasket	P57770	P57770	P57770
15	Coupling	See Coupling Selection Table, Page 48		
14	Coupling Key (Straight) Aug. 1989 (H98) & After	P49373	P49373	P49373
14	Coupling Key (Woodruff) July 1989 (G98) & Before	H32600	H32600	H32600
	For ANSI/OSHA Coupling Guard & Support Bracket Kit Selection, See Chart on Page 49			
5	Impeller (State Diameter) 12-1/2" Full Dia.	P77497	P77497	P51414†
6	Impeller Washer	P51230	P51230	P46382
12	Volute Coverplate	N/A**	N/A**	N/A**
4	Seal Kit Buna/Carbon/Ceramic	186543LF	186543LF	186544
4	Seal Kit EPR/Carbon/Tungsten Carbide	185225LF	185225LF	NONE
2	Bearing Frame Assembly	185014LF	185014LF	185015
17	Bearing Frame	P2001127	P2001127	P2001127
19	Shaft	P79027	P79027	P79027
20	Bearing Cap	P75612	P75612	P75612
25	Ball Bearing - Pump End	186571NG	186571NG	186571NG
26	Ball Bearing - Coupling End	186572NG	186572NG	186572NG
22	Stainless Steel Shaft Sleeve Kit - March 2014 (C41) & After	185143	185143	185143
22	Bronze Shaft Sleeve Kit - February 2014 (B41) & Before	185142LF	185142LF	NA
7	Impeller Capscrew	P13800	P13800	P13800
9	Impeller Lockwasher	J23875	J23875	J23875
10	Impeller Key (Straight) Aug. 1989 (H98) & After	P49372	P49372	P49372
10	Impeller Key (Woodruff) July 1989 (G98) & Before	H32700	H32700	H32700
18	Spring Washer	J92560	J92560	J92560
21	Bearing Cap Capscrew (4)	DJ0066	DJ0066	DJ0066
13	Water Slinger	P53720	P53720	P53720

— Factory Recommended Spare Parts.

N/A – No Longer Available

\*\*If a volute or volute coverplate is required, both must be changed to the appropriate "G" size, along with the "G" size volute gasket.

†Consult Factory for Delivery.

## 3CB

ITEM NO.	DESCRIPTION (QTY)	PUMP CONSTRUCTION		
		BRONZE FITTED	BRONZE FITTED WITH WEAR RING	ALL IRON
8	Volute	N/A**	N/A**	N/A**
	Wear Ring	—	P50650	—
	Volute Drain Plug (4)	P39040	P39040	P39050
3	Volute Capscrew (16)	P13780	P13780	P13780
11	Volute Gasket	P57770	P57770	P57770
15	Coupling	See Coupling Selection Table, Page 48		
14	Coupling Key (Straight) Aug. 1989 (H98) & After	P49373	P49373	P49373
14	Coupling Key (Woodruff) July 1989 (G98) & Before	H32600	H32600	H32600
	For ANSI/OSHA Coupling Guard & Support Bracket Kit Selection, See Chart on Page 49			
5	Impeller (State Diameter) 12-1/2" Full Dia.	P77501	P77501	P51418†
6	Impeller Washer	P51230	P51230	P46382
12	Volute Coverplate	N/A**	N/A**	N/A**
4	Seal Kit Buna/Carbon/Ceramic	186543LF	186543LF	186544
4	Seal Kit EPR/Carbon/Tungsten Carbide	185225LF	185225LF	NONE
2	Bearing Frame Assembly	185014LF	185014LF	185015
17	Bearing Frame	P2001127	P2001127	P2001127
19	Shaft	P79027	P79027	P79027
20	Bearing Cap	P75612	P75612	P75612
25	Ball Bearing - Pump End	186571NG	186571NG	186571NG
26	Ball Bearing - Coupling End	186572NG	186572NG	186572NG
22	Stainless Steel Shaft Sleeve Kit - March 2014 (C41) & After	185143	185143	185143
22	Bronze Shaft Sleeve Kit - February 2014 (B41) & Before	185142LF	185142LF	NA
7	Impeller Capscrew	P13800	P13800	P13800
9	Impeller Lockwasher	J23875	J23875	J23875
10	Impeller Key (Straight) Aug. 1989 (H98) & After	P49372	P49372	P49372
10	Impeller Key (Woodruff) July 1989 (G98) & Before	H32700	H32700	H32700
18	Spring Washer	J92560	J92560	J92560
21	Bearing Cap Capscrew (4)	DJ0066	DJ0066	DJ0066
13	Water Slinger	P53720	P53720	P53720

— Factory Recommended Spare Parts.

N/A – No Longer Available

\*\*If a volute or volute coverplate is required, both must be changed to the appropriate "G" size, along with the "G" size volute gasket.

†Consult Factory for Delivery.



## 4CB

ITEM NO.	DESCRIPTION (QTY)	PUMP CONSTRUCTION		
		BRONZE FITTED	BRONZE FITTED WITH WEAR RING	ALL IRON
8	Volute	N/A**	N/A**	N/A**
	Wear Ring	—	P49134	—
	Volute Drain Plug (4)	P39040	P39040	P39050
3	Volute Capscrew (16)	P13780	P13780	P13780
11	Volute Gasket	P57770	P57770	P57770
15	Coupling	See Coupling Selection Table, Page 48		
14	Coupling Key (Straight) Aug. 1989 (H98) & After	P49373	P49373	P49373
14	Coupling Key (Woodruff) July 1989 (G98) & Before	H32600	H32600	H32600
	For ANSI/OSHA Coupling Guard & Support Bracket Kit Selection, See Chart on Page 49			
5	Impeller (State Diameter) 12-1/2" Full Dia.	P77505	P77505	P51424†
6	Impeller Washer	P51230	P51230	P46382
12	Volute Coverplate	N/A**	N/A**	N/A**
4	Seal Kit Buna/Carbon/Ceramic	186543LF	186543LF	186544
4	Seal Kit EPR/Carbon/Tungsten Carbide	185225LF	185225LF	NONE
2	Bearing Frame Assembly Consisting of:	185014LF	185014LF	185015
17	Bearing Frame	P2001127	P2001127	P2001127
19	Shaft	P79027	P79027	P79027
20	Bearing Cap	P75612	P75612	P75612
25	Ball Bearing - Pump End	186571NG	186571NG	186571NG
26	Ball Bearing - Coupling End	186572NG	186572NG	186572NG
22	Stainless Steel Shaft Sleeve Kit - March 2014 (C41) & After	185143	185143	185143
22	Bronze Shaft Sleeve Kit - February 2014 (B41) & Before	185142LF	185142LF	NA
7	Impeller Capscrew	P13800	P13800	P13800
9	Impeller Lockwasher	J23875	J23875	J23875
10	Impeller Key (Straight) Aug. 1989 (H98) & After	P49372	P49372	P49372
10	Impeller Key (Woodruff) July 1989 (G98) & Before	H32700	H32700	H32700
18	Spring Washer	J92560	J92560	J92560
21	Bearing Cap Capscrew (4)	DJ0066	DJ0066	DJ0066
13	Water Slinger	P53720	P53720	P53720

— Factory Recommended Spare Parts.

N/A – No Longer Available

\*\*If a volute or volute coverplate is required, both must be changed to the appropriate "G" size, along with the "G" size volute gasket.

†Consult Factory for Delivery.

## 5CB

ITEM NO.	DESCRIPTION (QTY)	PUMP CONSTRUCTION		
		BRONZE FITTED	BRONZE FITTED WITH WEAR RING	ALL IRON
8	Volute	N/A**	N/A**	N/A**
	Wear Ring	—	P49136	—
	Volute Drain Plug (4)	P39040	P39040	P39050
3	Volute Capscrew (16)	P13780	P13780	P13780
11	Volute Gasket	P57770	P57770	P57770
15	Coupling	See Coupling Selection Table, Page 48		
14	Coupling Key (Straight) Aug. 1989 (H98) & After	P49373	P49373	P49373
14	Coupling Key (Woodruff) July 1989 (G98) & Before	H32600	H32600	H32600
	For ANSI/OSHA Coupling Guard & Support Bracket Kit Selection, See Chart on Page 49			
5	Impeller (State Diameter) 12-1/2" Full Dia.	P77509	P77509	N/A
6	Impeller Washer	P51230	P51230	P46382
12	Volute Coverplate	N/A**	N/A**	N/A**
4	Seal Kit Buna/Carbon/Ceramic	186543LF	186543LF	186544
4	Seal Kit EPR/Carbon/Tungsten Carbide	185225LF	185225LF	NONE
2	Bearing Frame Assembly Consisting of:	185014LF	185014LF	185015
17	Bearing Frame	P2001127	P2001127	P2001127
19	Shaft	P79027	P79027	P79027
20	Bearing Cap	P75612	P75612	P75612
25	Ball Bearing - Pump End	186571NG	186571NG	186571NG
26	Ball Bearing - Coupling End	186572NG	186572NG	186572NG
22	Stainless Steel Shaft Sleeve Kit - March 2014 (C41) & After	185143	185143	185143
22	Bronze Shaft Sleeve Kit - February 2014 (B41) & Before	185142LF	185142LF	NA
7	Impeller Capscrew	P13800	P13800	P13800
9	Impeller Lockwasher	J23875	J23875	J23875
10	Impeller Key (Straight) Aug. 1989 (H98) & After	P49372	P49372	P49372
10	Impeller Key (Woodruff) July 1989 (G98) & Before	H32700	H32700	H32700
18	Spring Washer	J92560	J92560	J92560
21	Bearing Cap Capscrew (4)	DJ0066	DJ0066	DJ0066
13	Water Slinger	P53720	P53720	P53720

— Factory Recommended Spare Parts.

N/A – No Longer Available

\*\*If a volute or volute coverplate is required, both must be changed to the appropriate "G" size, along with the "G" size volute gasket.

†Consult Factory for Delivery.

## 6CB

ITEM NO.	DESCRIPTION (QTY)	PUMP CONSTRUCTION		
		BRONZE FITTED	BRONZE FITTED WITH WEAR RING	ALL IRON
8	Volute	N/A**	N/A**	N/A**
	Wear Ring	—	P49138	—
	Volute Drain Plug (4)	P39040	P39040	P39050
3	Volute Capscrew (16)	P13780	P13780	P13780
11	Volute Gasket	P57770	P57770	P57770
15	Coupling	See Coupling Selection Table, Page 48		
14	Coupling Key (Straight) Aug. 1989 (H98) & After	P49373	P49373	P49373
14	Coupling Key (Woodruff) July 1989 (G98) & Before	H32600	H32600	H32600
	For ANSI/OSHA Coupling Guard & Support Bracket Kit Selection, See Chart on Page 49			
5	Impeller (State Diameter) 12-1/2" Full Dia.	P77513	P77513	N/A
6	Impeller Washer	P51230	P51230	P46382
12	Volute Coverplate	N/A**	N/A**	N/A**
4	Seal Kit Buna/Carbon/Ceramic	186543LF	186543LF	186544
4	Seal Kit EPR/Carbon/Tungsten Carbide	185225LF	185225LF	NONE
2	Bearing Frame Assembly Consisting of:	185014LF	185014LF	185015
17	Bearing Frame	P2001127	P2001127	P2001127
19	Shaft	P79027	P79027	P79027
20	Bearing Cap	P75612	P75612	P75612
25	Ball Bearing - Pump End	186571NG	186571NG	186571NG
26	Ball Bearing - Coupling End	186572NG	186572NG	186572NG
22	Stainless Steel Shaft Sleeve Kit - March 2014 (C41) & After	185143	185143	185143
22	Bronze Shaft Sleeve Kit - February 2014 (B41) & Before	185142LF	185142LF	NA
7	Impeller Capscrew	P13800	P13800	P13800
9	Impeller Lockwasher	J23875	J23875	J23875
10	Impeller Key (Straight) Aug. 1989 (H98) & After	P49372	P49372	P49372
10	Impeller Key (Woodruff) July 1989 (G98) & Before	H32700	H32700	H32700
18	Spring Washer	J92560	J92560	J92560
21	Bearing Cap Capscrew (4)	DJ0066	DJ0066	DJ0066
13	Water Slinger	P53720	P53720	P53720

— Factory Recommended Spare Parts.

N/A – No Longer Available

\*\*If a volute or volute coverplate is required, both must be changed to the appropriate "G" size, along with the "G" size volute gasket.

†Consult Factory for Delivery.

## 2E

ITEM NO.	DESCRIPTION (QTY)	PUMP CONSTRUCTION		
		BRONZE FITTED	BRONZE FITTED WITH WEAR RING	ALL IRON
<b>Parts Common To Both Size Pumps</b>				
8	Volute	P43955	P44019*	P43955
	Wear Ring	—	P49870	—
	Volute Drain Plug (4)	P39040	P39040	P39050
3	Volute Capscrew (16)	P13780	P13780	P13780
11	Volute Gasket	P80765	P80765	P80765
15	Coupling	See Coupling Selection Table, Page 48		
14	Coupling Key (Straight) Aug. 1989 (H98) & After	P49373	P49373	P49373
14	Coupling Key (Woodruff) July 1989 (G98) & Before	H32600	H32600	H32600
	For ANSI/OSHA Coupling Guard & Support Bracket Kit Selection, See Chart on Page 49			
<b>Parts for Pumps With 1-1/4" Shaft At Seal</b>				
5	Impeller (State Diameter) 11" Full Dia.	P50848	P50848	P50850†
6	Impeller Washer	P46380	P46380	P46381
12	Volute Coverplate	P53042	P53042	P53042
12	Volute Coverplate - "F" Construction	P53043	P53043	NONE
4	Seal Kit Buna/Carbon/Ceramic	186862LF	186862LF	186860
4	Seal Kit EPR/Carbon/Tungsten Carbide	186861LF	186861LF	NONE
2	Bearing Frame Assembly	185011LF	185011LF	185012
17	Bearing Frame	P2001125	P2001125	P2001125
19	Shaft	P78927	P78927	P78927
20	Bearing Cap	P75606	P75606	P75606
25	Ball Bearing - Pump End	186002NG	186002NG	186002NG
26	Ball Bearing - Coupling End	186001NG	186001NG	186001NG
22	Stainless Steel Shaft Sleeve Kit - March 2014 (C41) & After	185141	185141	185141
22	Bronze Shaft Sleeve Kit - February 2014 (B41) & Before	185140LF	185140LF	NA
7	Impeller Capscrew	P52350	P52350	P52350
9	Impeller Lockwasher	J23874	J23874	J23874
10	Impeller Key (Straight) Aug. 1989 (H98) & After	P49369	P49369	P49369
10	Impeller Key (Woodruff) July 1989 (G98) & Before	H32500	H32500	H32500
18	Spring Washer	J92558	J92558	J92558
21	Bearing Cap Capscrew (4)	J92291	J92291	J92291
13	Water Slinger	P53550	P53550	P53550
<b>Parts for Pumps With 1-5/8" Shaft At Seal</b>				
5	Impeller (State Diameter) 11" Full Dia.	P50880	P50880	P50882†
6	Impeller Washer	P51230	P51230	P46382
12	Volute Coverplate	P53046	P53046	P53046
12	Volute Coverplate - "F" Construction	P53047	P53047	NONE
4	Seal Kit Buna/Carbon/Ceramic	186543LF	186543LF	186544
4	Seal Kit EPR/Carbon/Tungsten Carbide	185225LF	185225LF	NONE
2	Bearing Frame Assembly	185014LF	185014LF	185015
17	Bearing Frame	P2001127	P2001127	P2001127
19	Shaft	P79027	P79027	P79027
20	Bearing Cap	P75612	P75612	P75612
25	Ball Bearing - Pump End	186571NG	186571NG	186571NG
26	Ball Bearing - Coupling End	186572NG	186572NG	186572NG
22	Stainless Steel Shaft Sleeve Kit - March 2014 (C41) & After	185143	185143	185143
22	Bronze Shaft Sleeve Kit - February 2014 (B41) & Before	185142LF	185142LF	NA
7	Impeller Capscrew	P13800	P13800	P13800
9	Impeller Lockwasher	J23875	J23875	J23875
10	Impeller Key (Straight) Aug. 1989 (H98) & After	P49372	P49372	P49372
10	Impeller Key (Woodruff) July 1989 (G98) & Before	H32700	H32700	H32700
18	Spring Washer	J92560	J92560	J92560
21	Bearing Cap Capscrew (4)	DJ0066	DJ0066	DJ0066
13	Water Slinger	P53720	P53720	P53720

— Factory Recommended Spare Parts.

\*Includes Wear Ring.

†Consult Factory for Delivery.

NOTE: All Bronze Series 1510 Pumps are obsolete.

## 3E

ITEM NO.	DESCRIPTION (QTY)	PUMP CONSTRUCTION		
		BRONZE FITTED	BRONZE FITTED WITH WEAR RING	ALL IRON
<b>Parts Common To Both Size Pumps</b>				
8	Volute	P43952	P44011*	P43952
	Wear Ring	—	P50650	—
	Volute Drain Plug (4)	P39040	P39040	P39050
3	Volute Capscrew (16)	P13780	P13780	P13780
11	Volute Gasket	P80765	P80765	P80765
15	Coupling	See Coupling Selection Table, Page 48		
14	Coupling Key (Straight) Aug. 1989 (H98) & After	P49373	P49373	P49373
14	Coupling Key (Woodruff) July 1989 (G98) & Before	H32600	H32600	H32600
	For ANSI/OSHA Coupling Guard & Support Bracket Kit Selection, See Chart on Page 49			
<b>Parts for Pumps With 1-1/4" Shaft At Seal</b>				
5	Impeller (State Diameter) 11" Full Dia.	P50852	P50852	P50854†
6	Impeller Washer	P46380	P46380	P46381
12	Volute Coverplate	P53042	P53042	P53042
12	Volute Coverplate - "F" Construction	P53043	P53043	NONE
4	Seal Kit Buna/Carbon/Ceramic	186862LF	186862LF	186860
4	Seal Kit EPR/Carbon/Tungsten Carbide	186861LF	186861LF	NONE
2	Bearing Frame Assembly	185011LF	185011LF	185012
17	Bearing Frame	P2001125	P2001125	P2001125
19	Shaft	P78927	P78927	P78927
20	Bearing Cap	P75606	P75606	P75606
25	Ball Bearing - Pump End	186002NG	186002NG	186002NG
26	Ball Bearing - Coupling End	186001NG	186001NG	186001NG
22	Stainless Steel Shaft Sleeve Kit - March 2014 (C41) & After	185141	185141	185141
22	Bronze Shaft Sleeve Kit - February 2014 (B41) & Before	185140LF	185140LF	NA
7	Impeller Capscrew	P52350	P52350	P52350
9	Impeller Lockwasher	J23874	J23874	J23874
10	Impeller Key (Straight) Aug. 1989 (H98) & After	P49369	P49369	P49369
10	Impeller Key (Woodruff) July 1989 (G98) & Before	H32500	H32500	H32500
18	Spring Washer	J92558	J92558	J92558
21	Bearing Cap Capscrew (4)	J92291	J92291	J92291
13	Water Slinger	P53550	P53550	P53550
<b>Parts for Pumps With 1-5/8" Shaft At Seal</b>				
5	Impeller (State Diameter) 11" Full Dia.	P50856	P50856	P50858†
6	Impeller Washer	P51230	P51230	P46382
12	Volute Coverplate	P53046	P53046	P53046
12	Volute Coverplate - "F" Construction	P53047	P53047	NONE
4	Seal Kit Buna/Carbon/Ceramic	186543LF	186543LF	186544
4	Seal Kit EPR/Carbon/Tungsten Carbide	185225LF	185225LF	NONE
2	Bearing Frame Assembly	185014LF	185014LF	185015
17	Bearing Frame	P2001127	P2001127	P2001127
19	Shaft	P79027	P79027	P79027
20	Bearing Cap	P75612	P75612	P75612
25	Ball Bearing - Pump End	186571NG	186571NG	186571NG
26	Ball Bearing - Coupling End	186572NG	186572NG	186572NG
22	Stainless Steel Shaft Sleeve Kit - March 2014 (C41) & After	185143	185143	185143
22	Bronze Shaft Sleeve Kit - February 2014 (B41) & Before	185142LF	185142LF	NA
7	Impeller Capscrew	P13800	P13800	P13800
9	Impeller Lockwasher	J23875	J23875	J23875
10	Impeller Key (Straight) Aug. 1989 (H98) & After	P49372	P49372	P49372
10	Impeller Key (Woodruff) July 1989 (G98) & Before	H32700	H32700	H32700
18	Spring Washer	J92560	J92560	J92560
21	Bearing Cap Capscrew (4)	DJ0066	DJ0066	DJ0066
13	Water Slinger	P53720	P53720	P53720

— Factory Recommended Spare Parts.

\*Includes Wear Ring.

†Consult Factory for Delivery.

NOTE: All Bronze Series 1510 Pumps are obsolete.

## 4E

ITEM NO.	DESCRIPTION (QTY)	PUMP CONSTRUCTION		
		BRONZE FITTED	BRONZE FITTED WITH WEAR RING	ALL IRON
<b>Parts Common To Both Size Pumps</b>				
8	Volute	P43958	P44012*	P43958
	Wear Ring	—	P49142	—
	Volute Drain Plug (4)	P39040	P39040	P39050
3	Volute Capscrew (16)	P13780	P13780	P13780
11	Volute Gasket	P80765	P80765	P80765
15	Coupler	See Coupler Selection Table, Page 48		
14	Coupler Key (Straight) Aug. 1989 (H98) & After	P49373	P49373	P49373
14	Coupler Key (Woodruff) July 1989 (G98) & Before	H32600	H32600	H32600
	For ANSI/OSHA Coupling Guard & Support Bracket Kit Selection, See Chart on Page 49			
<b>Parts for Pumps With 1-1/4" Shaft At Seal</b>				
5	Impeller (State Diameter) 11" Full Dia.	P50862	P50862	P50864†
6	Impeller Washer	P46380	P46380	P46381
12	Volute Coverplate	P53042	P53042	P53042
12	Volute Coverplate - "F" Construction	P53043	P53043	NONE
4	Seal Kit Buna/Carbon/Ceramic	186862LF	186862LF	186860
4	Seal Kit EPR/Carbon/Tungsten Carbide	186861LF	186861LF	NONE
2	Bearing Frame Assembly	185011LF	185011LF	185012
17	Bearing Frame	P2001125	P2001125	P2001125
19	Shaft	P78927	P78927	P78927
20	Bearing Cap	P75606	P75606	P75606
25	Ball Bearing - Pump End	186002NG	186002NG	186002NG
26	Ball Bearing - Coupler End	186001NG	186001NG	186001NG
22	Stainless Steel Shaft Sleeve Kit - March 2014 (C41) & After	185141	185141	185141
22	Bronze Shaft Sleeve Kit - February 2014 (B41) & Before	185140LF	185140LF	NA
7	Impeller Capscrew	P52350	P52350	P52350
9	Impeller Lockwasher	J23874	J23874	J23874
10	Impeller Key (Straight) Aug. 1989 (H98) & After	P49369	P49369	P49369
10	Impeller Key (Woodruff) July 1989 (G98) & Before	H32500	H32500	H32500
18	Spring Washer	J92558	J92558	J92558
21	Bearing Cap Capscrew (4)	J92291	J92291	J92291
13	Water Slinger	P53550	P53550	P53550
<b>Parts for Pumps With 1-5/8" Shaft At Seal</b>				
5	Impeller (State Diameter) 11" Full Dia.	P50866	P50866	P50868†
6	Impeller Washer	P51230	P51230	P46382
12	Volute Coverplate	P53046	P53046	P53046
12	Volute Coverplate - "F" Construction	P53047	P53047	NONE
4	Seal Kit Buna/Carbon/Ceramic	186543LF	186543LF	186544
4	Seal Kit EPR/Carbon/Tungsten Carbide	185225LF	185225LF	NONE
2	Bearing Frame Assembly	185014LF	185014LF	185015
17	Bearing Frame	P2001127	P2001127	P2001127
19	Shaft	P79027	P79027	P79027
20	Bearing Cap	P75612	P75612	P75612
25	Ball Bearing - Pump End	186571NG	186571NG	186571NG
26	Ball Bearing - Coupler End	186572NG	186572NG	186572NG
22	Stainless Steel Shaft Sleeve Kit - March 2014 (C41) & After	185143	185143	185143
22	Bronze Shaft Sleeve Kit - February 2014 (B41) & Before	185142LF	185142LF	NA
7	Impeller Capscrew	P13800	P13800	P13800
9	Impeller Lockwasher	J23875	J23875	J23875
10	Impeller Key (Straight) Aug. 1989 (H98) & After	P49372	P49372	P49372
10	Impeller Key (Woodruff) July 1989 (G98) & Before	H32700	H32700	H32700
18	Spring Washer	J92560	J92560	J92560
21	Bearing Cap Capscrew (4)	DJ0066	DJ0066	DJ0066
13	Water Slinger	P53720	P53720	P53720

— Factory Recommended Spare Parts.

\*Includes Wear Ring.

†Consult Factory for Delivery.

NOTE: All Bronze Series 1510 Pumps are obsolete.

## 5E

ITEM NO.	DESCRIPTION (QTY)	PUMP CONSTRUCTION		
		BRONZE FITTED	BRONZE FITTED WITH WEAR RING	ALL IRON
8	Volute	P43965	P44013*	P43965
	Wear Ring	—	P51390	—
	Volute Drain Plug (4)	P39040	P39040	P39050
3	Volute Capscrew (16)	P13780	P13780	P13780
11	Volute Gasket	P80765	P80765	P80765
15	Coupling	See Coupling Selection Table, Page 48		
14	Coupling Key (Straight) Aug. 1989 (H98) & After	P49373	P49373	P49373
14	Coupling Key (Woodruff) July 1989 (G98) & Before	H32600	H32600	H32600
	For ANSI/OSHA Coupling Guard & Support Bracket Kit Selection, See Chart on Page 49			
<b>Parts for Pumps with 1-5/8" Shaft at Seal</b>				
5	Impeller (State Diameter) 11" Full Dia.	P50872	P50872	P50874†
6	Impeller Washer	P51230	P51230	P46382
12	Volute Coverplate	P53046	P53046	P53046
12	Volute Coverplate - "F" Construction	P53047	P53047	NONE
4	Seal Kit Buna/Carbon/Ceramic	186543LF	186543LF	186544
4	Seal Kit EPR/Carbon/Tungsten Carbide	185225LF	185225LF	NONE
2	Bearing Frame Assembly	185014LF	185014LF	185015
17	Bearing Frame	P2001127	P2001127	P2001127
19	Shaft	P79027	P79027	P79027
20	Bearing Cap	P75612	P75612	P75612
25	Ball Bearing - Pump End	186571NG	186571NG	186571NG
26	Ball Bearing - Coupling End	186572NG	186572NG	186572NG
22	Stainless Steel Shaft Sleeve Kit - March 2014 (C41) & After	185143	185143	185143
22	Bronze Shaft Sleeve Kit - February 2014 (B41) & Before	185142LF	185142LF	NA
7	Impeller Capscrew	P13800	P13800	P13800
9	Impeller Lockwasher	J23875	J23875	J23875
10	Impeller Key (Straight) Aug. 1989 (H98) & After	P49372	P49372	P49372
10	Impeller Key (Woodruff) July 1989 (G98) & Before	H32700	H32700	H32700
18	Spring Washer	J92560	J92560	J92560
21	Bearing Cap Capscrew (4)	DJ0066	DJ0066	DJ0066
13	Water Slinger	P53720	P53720	P53720

— Factory Recommended Spare Parts.

\*Includes Wear Ring.

†Consult Factory for Delivery.

NOTE: All Bronze Series 1510 Pumps are obsolete.

## 6E

ITEM NO.	DESCRIPTION (QTY)	PUMP CONSTRUCTION		
		BRONZE FITTED	BRONZE FITTED WITH WEAR RING	ALL IRON
8	Volute	P43972	P44014*	P43972
	Wear Ring	—	P81949	—
	Volute Drain Plug (4)	P39040	P39040	P39050
3	Volute Capscrew (16)	P13780	P13780	P13780
11	Volute Gasket	P80765	P80765	P80765
15	Coupling	See Coupling Selection Table, Page 48		
14	Coupling Key (Straight) Aug. 1989 (H98) & After	P49373	P49373	P49373
14	Coupling Key (Woodruff) July 1989 (G98) & Before	H32600	H32600	H32600
	For ANSI/OSHA Coupling Guard & Support Bracket Kit Selection, See Chart on Page 49			
<b>Parts for Pumps with 1-5/8" Shaft at Seal</b>				
5	Impeller (State Diameter) 11" Full Dia.	P50876	P50876	P50878†
6	Impeller Washer	P51230	P51230	P46382
12	Volute Coverplate	P53046	P53046	P53046
12	Volute Coverplate - "F" Construction	P53047	P53047	NONE
4	Seal Kit Buna/Carbon/Ceramic	186543LF	186543LF	186544
4	Seal Kit EPR/Carbon/Tungsten Carbide	185225LF	185225LF	NONE
2	Bearing Frame Assembly	185014LF	185014LF	185015
17	Bearing Frame	P2001127	P2001127	P2001127
19	Shaft	P79027	P79027	P79027
20	Bearing Cap	P75612	P75612	P75612
25	Ball Bearing - Pump End	186571NG	186571NG	186571NG
26	Ball Bearing - Coupling End	186572NG	186572NG	186572NG
22	Stainless Steel Shaft Sleeve Kit - March 2014 (C41) & After	185143	185143	185143
22	Bronze Shaft Sleeve Kit - February 2014 (B41) & Before	185142LF	185142LF	NA
7	Impeller Capscrew	P13800	P13800	P13800
9	Impeller Lockwasher	J23875	J23875	J23875
10	Impeller Key (Straight) Aug. 1989 (H98) & After	P49372	P49372	P49372
10	Impeller Key (Woodruff) July 1989 (G98) & Before	H32700	H32700	H32700
18	Spring Washer	J92560	J92560	J92560
21	Bearing Cap Capscrew (4)	DJ0066	DJ0066	DJ0066
13	Water Slinger	P53720	P53720	P53720

— Factory Recommended Spare Parts.

\*Includes Wear Ring.

†Consult Factory for Delivery.

NOTE: All Bronze Series 1510 Pumps are obsolete.



## 2G

ITEM NO.	DESCRIPTION (QTY)	PUMP CONSTRUCTION		
		BRONZE FITTED	BRONZE FITTED WITH WEAR RING	ALL IRON
8	Volute	P44071	P44091*	P44071
	Wear Ring	—	P49130	—
	Volute Drain Plug (4)	P39040	P39040	P39050
3	Volute Capscrew (16)	P13780	P13780	P13780
11	Volute Gasket	P80767	P80767	P80767
15	Coupling	See Coupling Selection Table, Page 48		
14	Coupling Key (Straight) Aug. 1989 (H98) & After	P49373	P49373	P49373
14	Coupling Key (Woodruff) July 1989 (G98) & Before	H32600	H32600	H32600
	For ANSI/OSHA Coupling Guard & Support Bracket Kit Selection, See Chart on Page 49			
<b>Parts for Pumps with 1-5/8" Shaft at Seal</b>				
5	Impeller (State Diameter) 131/2" Full Dia.	P51412	P51412	P51414†
6	Impeller Washer	P51230	P51230	P46382
12	Volute Coverplate	P51561	P51561	P51561
12	Volute Coverplate - "F" Construction	P51567	P51567	NONE
4	Seal Kit Buna/Carbon/Ceramic	186543LF	186543LF	186544
4	Seal Kit EPR/Carbon/Tungsten Carbide	185225LF	185225LF	NONE
2	Bearing Frame Assembly Consisting of:	185014LF	185014LF	185015
17	Bearing Frame	P2001127	P2001127	P2001127
19	Shaft	P79027	P79027	P79027
20	Bearing Cap	P75612	P75612	P75612
25	Ball Bearing - Pump End	186571NG	186571NG	186571NG
26	Ball Bearing - Coupling End	186572NG	186572NG	186572NG
22	Stainless Steel Shaft Sleeve Kit - March 2014 (C41) & After	185143	185143	185143
22	Bronze Shaft Sleeve Kit - February 2014 (B41) & Before	185142LF	185142LF	NA
7	Impeller Capscrew	P13800	P13800	P13800
9	Impeller Lockwasher	J23875	J23875	J23875
10	Impeller Key (Straight) Aug. 1989 (H98) & After	P49372	P49372	P49372
10	Impeller Key (Woodruff) July 1989 (G98) & Before	H32700	H32700	H32700
18	Spring Washer	J92560	J92560	J92560
21	Bearing Cap Capscrew (4)	DJ0066	DJ0066	DJ0066
13	Water Slinger	P53720	P53720	P53720

— Factory Recommended Spare Parts.

\*Includes Wear Ring.

†Consult Factory for Delivery.

NOTE: All Bronze Series 1510 Pumps are obsolete.

## 3G

ITEM NO.	DESCRIPTION (QTY)	PUMP CONSTRUCTION		
		BRONZE FITTED	BRONZE FITTED WITH WEAR RING	ALL IRON
8	Volute	P44073	P44092*	P44073
	Wear Ring	—	P50650	—
	Volute Drain Plug (4)	P39040	P39040	P39050
3	Volute Capscrew (16)	P13780	P13780	P13780
11	Volute Gasket	P80767	P80767	P80767
15	Coupling	See Coupling Selection Table, Page 48		
14	Coupling Key (Straight) Aug. 1989 (H98) & After	P49373	P49373	P49373
14	Coupling Key (Woodruff) July 1989 (G98) & Before	H32600	H32600	H32600
	For ANSI/OSHA Coupling Guard & Support Bracket Kit Selection, See Chart on Page 49			
<b>Parts for Pumps with 1-5/8" Shaft at Seal</b>				
5	Impeller (State Diameter) 131/2" Full Dia.	P51416	P51416	P51418†
6	Impeller Washer	P51230	P51230	P46382
12	Volute Coverplate	P51561	P51561	P51561
12	Volute Coverplate - "F" Construction	P51567	P51567	NONE
4	Seal Kit Buna/Carbon/Ceramic	186543LF	186543LF	186544
4	Seal Kit EPR/Carbon/Tungsten Carbide	185225LF	185225LF	NONE
2	Bearing Frame Assembly	185014LF	185014LF	185015
17	Bearing Frame	P2001127	P2001127	P2001127
19	Shaft	P79027	P79027	P79027
20	Bearing Cap	P75612	P75612	P75612
25	Ball Bearing - Pump End	186571NG	186571NG	186571NG
26	Ball Bearing - Coupling End	186572NG	186572NG	186572NG
22	Stainless Steel Shaft Sleeve Kit - March 2014 (C41) & After	185143	185143	185143
22	Bronze Shaft Sleeve Kit - February 2014 (B41) & Before	185142LF	185142LF	NA
7	Impeller Capscrew	P13800	P13800	P13800
9	Impeller Lockwasher	J23875	J23875	J23875
10	Impeller Key (Straight) Aug. 1989 (H98) & After	P49372	P49372	P49372
10	Impeller Key (Woodruff) July 1989 (G98) & Before	H32700	H32700	H32700
18	Spring Washer	J92560	J92560	J92560
21	Bearing Cap Capscrew (4)	DJ0066	DJ0066	DJ0066
13	Water Slinger	P53720	P53720	P53720

— Factory Recommended Spare Parts.

\*Includes Wear Ring.

†Consult Factory for Delivery.

NOTE: All Bronze Series 1510 Pumps are obsolete.

## 4G

ITEM NO.	DESCRIPTION (QTY)	PUMP CONSTRUCTION		
		BRONZE FITTED	BRONZE FITTED WITH WEAR RING	ALL IRON
8	Volute	P44075	N/A**	P44075
	Wear Ring	—	P49134	—
	Volute Drain Plug (4)	P39040	P39040	P39050
3	Volute Capscrew (16)	P13780	P13780	P13780
11	Volute Gasket	P80767	P80767	P80767
15	Coupling	See Coupling Selection Table, Page 48		
14	Coupling Key (Straight) Aug. 1989 (H98) & After	P49373	P49373	P49373
14	Coupling Key (Woodruff) July 1989 (G98) & Before	H32600	H32600	H32600
	For ANSI/OSHA Coupling Guard & Support Bracket Kit Selection, See Chart on Page 49			
<b>Parts for Pumps with 1-5/8" Shaft at Seal</b>				
5	Impeller (State Diameter) 131/2" Full Dia.	P51422	P51422	P51424†
6	Impeller Washer	P51230	P51230	P46382
12	Volute Coverplate	P51561	P51561	P51561
12	Volute Coverplate - "F" Construction	P51567	P51567	NONE
4	Seal Kit Buna/Carbon/Ceramic	186543LF	186543LF	186544
4	Seal Kit EPR/Carbon/Tungsten Carbide	185225LF	185225LF	NONE
2	Bearing Frame Assembly	185014LF	185014LF	185015
17	Bearing Frame	P2001127	P2001127	P2001127
19	Shaft	P79027	P79027	P79027
20	Bearing Cap	P75612	P75612	P75612
25	Ball Bearing - Pump End	186571NG	186571NG	186571NG
26	Ball Bearing - Coupling End	186572NG	186572NG	186572NG
22	Stainless Steel Shaft Sleeve Kit - March 2014 (C41) & After	185143	185143	185143
22	Bronze Shaft Sleeve Kit - February 2014 (B41) & Before	185142LF	185142LF	NA
7	Impeller Capscrew	P13800	P13800	P13800
9	Impeller Lockwasher	J23875	J23875	J23875
10	Impeller Key (Straight) Aug. 1989 (H98) & After	P49372	P49372	P49372
10	Impeller Key (Woodruff) July 1989 (G98) & Before	H32700	H32700	H32700
18	Spring Washer	J92560	J92560	J92560
21	Bearing Cap Capscrew (4)	DJ0066	DJ0066	DJ0066
13	Water Slinger	P53720	P53720	P53720

— Factory Recommended Spare Parts.

†Consult Factory for Delivery.

NOTE: All Bronze Series 1510 Pumps are obsolete.

N/A – No Longer Available

\*\*The impeller and/or volute are no longer available. This pump can be converted to the current style pump by ordering both the current style impeller and the current style volute.

**4GB**

ITEM NO.	DESCRIPTION (QTY)	PUMP CONSTRUCTION		
		BRONZE FITTED	BRONZE FITTED WITH WEAR RING	ALL IRON
8	Volute	P85684	P85685*	P85684
	Wear Ring	—	P49134	—
	Volute Drain Plug (4)	P39040	P39040	P39050
3	Volute Capscrew (16)	P13780	P13780	P13780
11	Volute Gasket	P80767	P80767	P80767
15	Coupling	See Coupling Selection Table, Page 48		
14	Coupling Key (Straight) Aug. 1989 (H98) & After	P49373	P49373	P49373
14	Coupling Key (Woodruff) July 1989 (G98) & Before	H32600	H32600	H32600
	For ANSI/OSHA Coupling Guard & Support Bracket Kit Selection, See Chart on Page 49			
<b>Parts for Pumps with 1-5/8" Shaft at Seal</b>				
5	Impeller (State Diameter) 131/2" Full Dia.	P85691	P85691	P85689†
6	Impeller Washer	P51230	P51230	P46382
12	Volute Coverplate	P51561	P51561	P51561
12	Volute Coverplate - "F" Construction	P51567	P51567	NONE
4	Seal Kit Buna/Carbon/Ceramic	186543LF	186543LF	186544
4	Seal Kit EPR/Carbon/Tungsten Carbide	185225LF	185225LF	NONE
2	Bearing Frame Assembly	185014LF	185014LF	185015
17	Bearing Frame	P2001127	P2001127	P2001127
19	Shaft	P79027	P79027	P79027
20	Bearing Cap	P75612	P75612	P75612
25	Ball Bearing - Pump End	186571NG	186571NG	186571NG
26	Ball Bearing - Coupling End	186572NG	186572NG	186572NG
22	Stainless Steel Shaft Sleeve Kit - March 2014 (C41) & After	185143	185143	185143
22	Bronze Shaft Sleeve Kit - February 2014 (B41) & Before	185142LF	185142LF	NA
7	Impeller Capscrew	P13800	P13800	P13800
9	Impeller Lockwasher	J23875	J23875	J23875
10	Impeller Key (Straight) Aug. 1989 (H98) & After	P49372	P49372	P49372
10	Impeller Key (Woodruff) July 1989 (G98) & Before	H32700	H32700	H32700
18	Spring Washer	J92560	J92560	J92560
21	Bearing Cap Capscrew (4)	DJ0066	DJ0066	DJ0066
13	Water Slinger	P53720	P53720	P53720

— Factory Recommended Spare Parts.

\*Includes Wear Ring.

†Consult Factory for Delivery.

NOTE: All Bronze Series 1510 Pumps are obsolete.

## 5G

ITEM NO.	DESCRIPTION (QTY)	PUMP CONSTRUCTION		
		BRONZE FITTED	BRONZE FITTED WITH WEAR RING	ALL IRON
<b>Parts Common To Both Size Pumps</b>				
8	Volute	P44077	P44094*	P44077
	Wear Ring	—	P49136	—
	Volute Drain Plug (4)	P39040	P39040	P39050
3	Volute Capscrew (16)	P13780	P13780	P13780
11	Volute Gasket	P80767	P80767	P80767
15	Coupling	See Coupling Selection Table, Page 48		
	For ANSI/OSHA Coupling Guard & Support Bracket Kit Selection, See Chart on Page 49			
<b>Parts for Pumps With 1-5/8" Shaft At Seal</b>				
5	Impeller (State Diameter) 12-9/16"-13-1/2"	P78533	P78533	P77528
5	Impeller (State Diameter) 12-1/2"-or Less	P77509	P77509	P77528
6	Impeller Washer	P51230	P51230	P46382
12	Volute Coverplate	P51561	P51561	P51561
12	Volute Coverplate - "F" Construction	P51567	P51567	NONE
4	Seal Kit Buna/Carbon/Ceramic	186543LF	186543LF	186544
4	Seal Kit EPR/Carbon/Tungsten Carbide	185225LF	185225LF	NONE
2	Bearing Frame Assembly	185014LF	185014LF	185015
17	Bearing Frame	P2001127	P2001127	P2001127
19	Shaft	P79027	P79027	P79027
20	Bearing Cap	P75612	P75612	P75612
25	Ball Bearing - Pump End	186571NG	186571NG	186571NG
26	Ball Bearing - Coupling End	186572NG	186572NG	186572NG
22	Stainless Steel Shaft Sleeve Kit - March 2014 (C41) & After	185143	185143	185143
22	Bronze Shaft Sleeve Kit - February 2014 (B41) & Before	185142LF	185142LF	NA
7	Impeller Capscrew	P13800	P13800	P13800
9	Impeller Lockwasher	J23875	J23875	J23875
10	Impeller (Straight) Aug. 1989 (H98) & After	P49372	P49372	P49372
10	Impeller Key (Woodruff) July 1989 (G98) & Before	H32700	H32700	H32700
14	Coupling Key (Straight) Aug. 1989 (H98) & After	P49373	P49373	P49373
14	Coupling Key (Woodruff) July 1989 (G98) & Before	H32600	H32600	H32600
18	Spring Washer	J92560	J92560	J92560
21	Bearing Cap Capscrew (4)	DJ0066	DJ0066	DJ0066
13	Water Slinger	P53720	P53720	P53720
<b>Parts for Pumps With 2-3/8" Shaft At Seal <math>\emptyset</math></b>				
5	Impeller (State Diameter) 13-1/2" Full Dia.	P51426	P51426	P51428†
6	Impeller Washer	P46384	P46384	P46385
12	Volute Coverplate	P51564	P51564	P51564
12	Volute Coverplate - "F" Construction	P51568	P51568	NONE
4	Seal Kit Buna/Carbon/Ceramic	186828LF	186828LF	P63309+
4	Seal Kit EPR/Carbon/Tungsten Carbide	186836LF	186836LF	NONE
2	Bearing Frame Assembly	185320LF	185320LF	NONE
17	Bearing Frame	P2001129	P2001129	P2001129
19	Shaft	P79011	P79011	P79011
20	Bearing Cap - Pump End	P51582	P51582	P51582
	Bearing Cap - Coupling End	P51584	P51584	P51584
23	Bearing Locknut	J92388	J92388	J92388
24	Bearing Lockwasher	J92389	J92389	J92389
25	Ball Bearing - Pump End	P2002427	P2002427	P2002427
26	Ball Bearing - Coupling End	P2002428	P2002428	P2002428
22	Stainless Steel Shaft Sleeve Kit - March 2014 (C41) & After	185148	185148	185148
22	Bronze Shaft Sleeve - February 2014 (B41) & Before	P2000134	P2000134	NA
7	Impeller Capscrew	J92019	J92019	J92019
9	Impeller Lockwasher	J23876	J23876	J23876
10	Impeller Key	J93448	J93448	J93448
14	Coupling Key	J93448	J93448	J93448
21	Bearing Cap Capscrew (8)	DJ0071	DJ0071	DJ0071
13	Water Slinger	P81917	P81917	P81917

— Factory Recommended Spare Parts.

\*Includes Wear Ring.

†Consult Factory for Delivery.

NOTE: All Bronze Series 1510 Pumps are obsolete.

$\emptyset$  Extra Large Bearing Frame not used on current production pumps. Only pumps prior to date code D69.

+ Seal Rotating Assembly only. Also order Seat Insert - P63332 & Seat Cup - P63324

## 6G

ITEM NO.	DESCRIPTION (QTY)	PUMP CONSTRUCTION		
		BRONZE FITTED	BRONZE FITTED WITH WEAR RING	ALL IRON
<b>Parts Common To Both Size Pumps</b>				
8	Volute	P44081	P44095*	P44081
	Wear Ring	—	P49138	—
	Volute Drain Plug (4)	P39040	P39040	P39050
3	Volute Capscrew (16)	P13780	P13780	P13780
11	Volute Gasket	P80767	P80767	P80767
15	Coupling	See Coupling Selection Table, Page 48		
	For ANSI/OSHA Coupling Guard & Support Bracket Kit Selection, See Chart on Page 49			
<b>Parts for Pumps With 1-5/8" Shaft At Seal</b>				
5	Impeller (State Diameter) 12-9/16"-13-1/2"	P78535	P78535	P77532
5	Impeller (State Diameter) 12-1/2" or Less	P77513	P77513	P77532
6	Impeller Washer	P51230	P51230	P46382
12	Volute Coverplate	P51561	P51561	P51561
12	Volute Coverplate - "F" Construction	P51567	P51567	NONE
4	Seal Kit Buna/Carbon/Ceramic	186543LF	186543LF	186544
4	Seal Kit EPR/Carbon/Tungsten Carbide	185225LF	185225LF	NONE
2	Bearing Frame Assembly	185014LF	185014LF	185015
17	Bearing Frame	P2001127	P2001127	P2001127
19	Shaft	P79027	P79027	P79027
20	Bearing Cap	P75612	P75612	P75612
25	Ball Bearing - Pump End	186571NG	186571NG	186571NG
26	Ball Bearing - Coupling End	186572NG	186572NG	186572NG
22	Stainless Steel Shaft Sleeve Kit - March 2014 (C41) & After	185143	185143	185143
22	Bronze Shaft Sleeve Kit - February 2014 (B41) & Before	185142LF	185142LF	NA
7	Impeller Capscrew	P13800	P13800	P13800
9	Impeller Lockwasher	J23875	J23875	J23875
10	Impeller (Straight) Aug. 1989 (H98) & After	P49372	P49372	P49372
10	Impeller Key (Woodruff) July 1989 (G98) & Before	H32700	H32700	H32700
14	Coupling Key (Straight) Aug. 1989 (H98) & After	P49373	P49373	P49373
14	Coupling Key (Woodruff) July 1989 (G98) & Before	H32600	H32600	H32600
18	Spring Washer	J92560	J92560	J92560
21	Bearing Cap Capscrew (4)	DJ0066	DJ0066	DJ0066
13	Water Slinger	P53720	P53720	P53720
<b>Parts for Pumps With 2-3/8" Shaft At Seal</b>				
5	Impeller (State Diameter) 13-1/2" Full Dia.	P51432	P51432	P51434†
6	Impeller Washer	P46384	P46384	P46385
12	Volute Coverplate	P51564	P51564	P51564
12	Volute Coverplate - "F" Construction	P51568	P51568	NONE
4	Seal Kit Buna/Carbon/Ceramic	186828LF	186828LF	P63309+
4	Seal Kit EPR/Carbon/Tungsten Carbide	186836LF	186836LF	NONE
2	Bearing Frame Assembly	185320LF	185320LF	NONE
17	Bearing Frame	P2001129	P2001129	P2001129
19	Shaft	P79011	P79011	P79011
20	Bearing Cap - Pump End	P51582	P51582	P51582
	Bearing Cap - Coupling End	P51584	P51584	P51584
23	Bearing Locknut	J92388	J92388	J92388
24	Bearing Lockwasher	J92389	J92389	J92389
25	Ball Bearing - Pump End	P2002427	P2002427	P2002427
26	Ball Bearing - Coupling End	P2002428	P2002428	P2002428
22	Stainless Steel Shaft Sleeve Kit - March 2014 (C41) & After	185148	185148	185148
22	Bronze Shaft Sleeve - February 2014 (B41) & Before	P2000134	P2000134	NA
7	Impeller Capscrew	J92019	J92019	J92019
9	Impeller Lockwasher	J23876	J23876	J23876
14	Coupling Key	J93448	J93448	J93448
10	Impeller Key	J93448	J93448	J93448
21	Bearing Cap Capscrew (8)	DJ0071	DJ0071	DJ0071
13	Water Slinger	P81917	P81917	P81917

— Factory Recommended Spare Parts.

\*Includes Wear Ring.

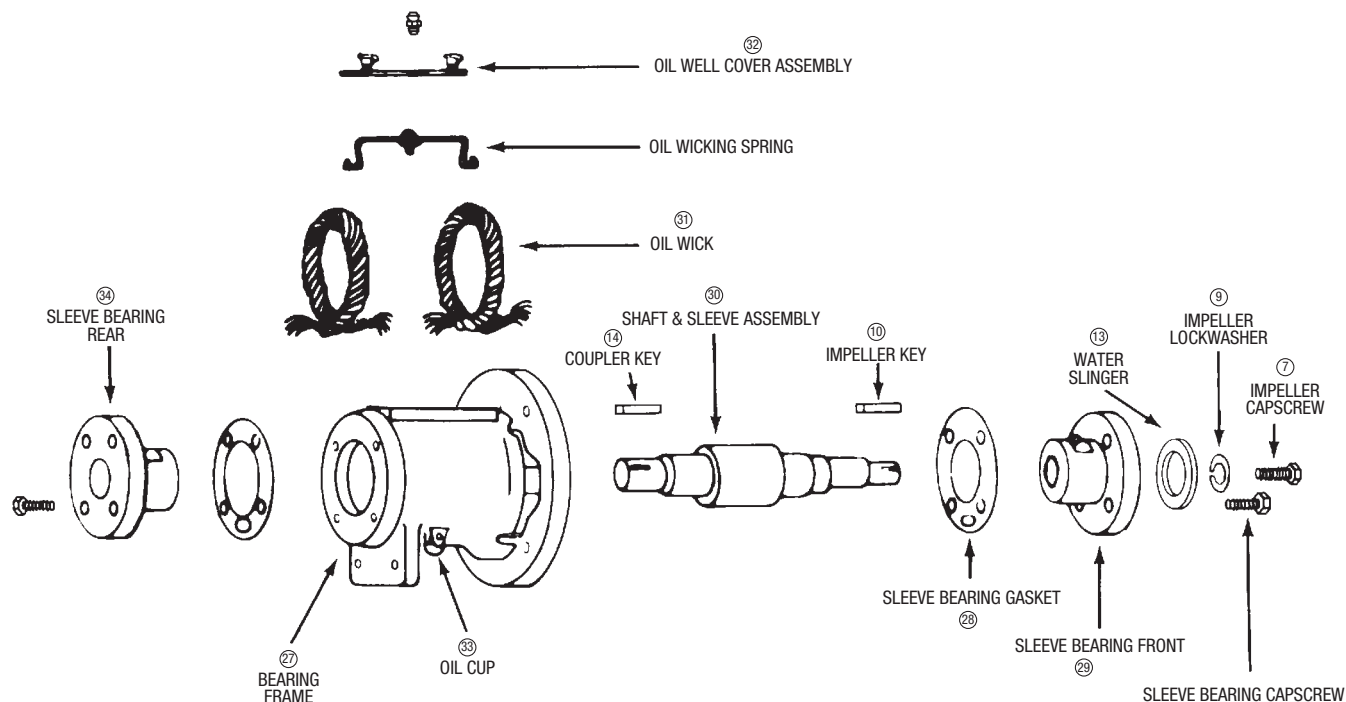
†Consult Factory for Delivery.

NOTE: All Bronze Series 1510 Pumps are obsolete.

N/A – No Longer Available

+ Seal Rotating Assembly only. Also order Seat Insert - P63332 & Seat Cup - P63324

# Sleeve Bearing Frame Assembly for Pumps with 1 1/4" Shaft at Seal



ITEM NO.	DESCRIPTION	PART NO.
2	Bearing Frame Assembly	186660
	Consisting of:	
27	Bearing Frame	P11450
30	Shaft & Sleeve	186628
29	Sleeve Bearing (Front)	186659
34	Sleeve Bearing (Rear)	186658
28	Sleeve Bearing Gasket (Included with Bearings)	P11390
7	Impeller Capscrew	P52350
9	Impeller Lockwasher	J23874
10	Impeller Key (Straight) Aug. 1989 (H98) & After	P49369
	Impeller Key (Woodruff) July 1989 (G98) & Before	H32500
14	Coupler Key (Straight) Aug. 1989 (G98) & After	P49373
	Coupler Key (Woodruff) July 1989 (G98) & Before	H32600
33	Oil Cup	P14010
	Oil Well Cover Before June 1965 (EE)	N/A
32	Oil Well Cover After June 1965 (FE)	P14051
31	Oil Wick Set (2 Sets Required)	118395
13	Water Slinger	P53550

— Factory recommended spare parts.

# TB Wood's & Lovejoy Coupler Selection Table

PUMP SIZE	FRAME SIZE	SHAFT SPACE	H.P.	MOTOR SHAFT SIZE	WOOD'S COUPLER	SLEEVE FOR WOOD'S COUPLER	SPIDER FOR LOVEJOY COUPLER
FOR PUMPS WITH SMALL BEARING FRAME 1" SHAFT AT COUPLER	56	1 <sup>1</sup> / <sub>4</sub> "	1/2-3/4	5/8"	186868	P78804(4J)	P45540
	143T-145T	3/4"	1 - 1 <sup>1</sup> / <sub>2</sub> - 2 - 3	7/8"	186869	P78804(4J)	P45540
	182T-184T	3/4"	2 - 3 - 5 - 7 <sup>1</sup> / <sub>2</sub>	1 <sup>1</sup> / <sub>8</sub> "	186870	P78729(5J)	P45540
	213T	2 <sup>1</sup> / <sub>2</sub> "	5 - 7 <sup>1</sup> / <sub>2</sub> - 10	1 <sup>3</sup> / <sub>8</sub> "	186871	P78791(6J)	P45532
	215T	2 <sup>1</sup> / <sub>2</sub> "	7 <sup>1</sup> / <sub>2</sub> - 10 - 15	1 <sup>3</sup> / <sub>8</sub> "	186871	P78791(6J)	P45532
	254T	2 <sup>1</sup> / <sub>2</sub> "	15 - 20	1 <sup>5</sup> / <sub>8</sub> "	186873	P78792(7S)	P45532
	256T	2 <sup>1</sup> / <sub>2</sub> "	20 - 25	1 <sup>5</sup> / <sub>8</sub> "	P63240	P78794(8S)	P45532
FOR PUMPS WITH LARGE BEARING FRAME 1 <sup>1</sup> / <sub>4</sub> " SHAFT AT COUPLER	213T	3 <sup>3</sup> / <sub>4</sub> "	7 <sup>1</sup> / <sub>2</sub>	1 <sup>3</sup> / <sub>8</sub> "	186872	P78791(6J)	P45532
	215T	3 <sup>3</sup> / <sub>4</sub> "	10	1 <sup>3</sup> / <sub>8</sub> "	186872	P78791(6J)	P45532
	254T	3 <sup>3</sup> / <sub>4</sub> "	15	1 <sup>5</sup> / <sub>8</sub> "	P63239	P78792(7S)	P45532
	256T	3 <sup>3</sup> / <sub>4</sub> "	20	1 <sup>5</sup> / <sub>8</sub> "	186874	P78794(8S)	—
	284T	3 <sup>3</sup> / <sub>4</sub> "	25	1 <sup>7</sup> / <sub>8</sub> "	P63242	P78794(8S)	—
	284T	4"	25	1 <sup>7</sup> / <sub>8</sub> "	P63243	P78794(8S)	—
	286T	3 <sup>3</sup> / <sub>4</sub> "	30	1 <sup>7</sup> / <sub>8</sub> "	P63244	P78796(9S)	—
	286T	4"	30	1 <sup>7</sup> / <sub>8</sub> "	P63244	P78796(9S)	—
	284TS	3 <sup>3</sup> / <sub>4</sub> "	30	1 <sup>5</sup> / <sub>8</sub> "	P63239	P78792(7S)	P45532
	286TS	3 <sup>3</sup> / <sub>4</sub> "	40	1 <sup>5</sup> / <sub>8</sub> "	186874	P78794(8S)	P45532
	324T	4"	40	2 <sup>1</sup> / <sub>8</sub> "	P63245	P78796(9S)	—
	326T	4"	50	2 <sup>1</sup> / <sub>8</sub> "	P63247	P78798(10S)	—
	324TS	3 <sup>3</sup> / <sub>4</sub> "	50	1 <sup>7</sup> / <sub>8</sub> "	P63242	P78794(8S)	—
	326TS	3 <sup>3</sup> / <sub>4</sub> "	60	1 <sup>7</sup> / <sub>8</sub> "	P63244	P78796(9S)	—
	364T	4"	60	2 <sup>3</sup> / <sub>8</sub> "	P63248	P78798(10S)	—
	364TS	4"	60-75	1 <sup>7</sup> / <sub>8</sub> "	P63244	P78796(9S)	—
365T	4"	75	2 <sup>3</sup> / <sub>8</sub> "	P63250	P78802(11S)	—	
365TS	4"	75-100	1 <sup>7</sup> / <sub>8</sub> "	P63246	P78798(10S)	—	
404TS	4"	100-125	2 <sup>1</sup> / <sub>8</sub> "	P63253	P78802(11S)	—	
FOR 5G AND 6G PUMPS WITH EXTRA LARGE BEARING FRAME 1 <sup>7</sup> / <sub>8</sub> " SHAFT AT COUPLER**	324T	5 <sup>3</sup> / <sub>8</sub> "	50	2 <sup>1</sup> / <sub>8</sub> "	P82161 P82162	P78796	—
	326T	5 <sup>3</sup> / <sub>8</sub> "	50	2 <sup>1</sup> / <sub>8</sub> "	P82096 P82097	P82098	—
	364TS	5 <sup>3</sup> / <sub>8</sub> "	60	1 <sup>7</sup> / <sub>8</sub> "	P82096 2 REQ'D	P82098	—
	365TS	5 <sup>3</sup> / <sub>8</sub> "	75	1 <sup>7</sup> / <sub>8</sub> "	P82158 2 REQ'D	P82142	—
	404TS	5 <sup>3</sup> / <sub>8</sub> "	100	2 <sup>1</sup> / <sub>8</sub> "	P82158 P82141	P82142	—
	405TS	5 <sup>3</sup> / <sub>8</sub> "	125	2 <sup>1</sup> / <sub>8</sub> "	P82161 P82162	P82144	—

\*\*SPACER TYPE COUPLER USED ON THESE PUMPS. TO OBTAIN COMPLETE COUPLER, SPECIFY BOTH HALVES AND SLEEVE.

— Factory recommended spare parts.



# Rexnord Omega Coupler Selection Table

PUMP SIZE	FRAME SIZE	H.P.	ELEMENT	PUMP HUB	MOTOR HUB
FOR PUMPS WITH SMALL BEARING FRAME 1" SHAFT AT COUPLER	56	0.333, 0.5, .75	P2000258	P2000296	P2000294
	143T-145T	0.75, 1, 1.5, 2, 3	P2000258	P2000296	P2000295
	182T-184T	1.5, 3, 5, 7.5	P2000258	P2000296	P2000293
	213T-215T	3, 5, 7.5, 10, 15	P2000263	P2000299	P2000302
	254T-256T	7.5, 15, 20, 25, 30	P2000266	P2000305	P2000309
FOR PUMPS WITH LARGE BEARING FRAME 1 1/4" SHAFT AT COUPLER	213T-215T	3, 5, 7.5, 10, 15	P2000262	P2000301	P2000302
	254T-256T	7.5, 10, 15*, 20**, 25, 30	P2000266	P2000307	P2000309
	256T	15***, 20****	P2000268	P2000314	P2000316
	284T	15, 20, 25	P2000269	P2000314	P2000317
	284TS	25, 30	P2000265	P2000307	P2000309
	284TS	40	P2000269	P2000314	P2000316
	286T	20, 25, 30	P2000271	P2000322	P2000325
	286TS	30, 40, 50	P2000269	P2000314	P2000316
	324T	25, 30, 40	P2000271	P2000322	P2000326
	324TS	40, 50	P2000269	P2000314	P2000317
	326T	30, 40, 50	P2000275	P2000330	P2000334
	326TS	50, 60+	P2000271	P2000322	P2000325
	326TS	60++	P2000272	P2000322	P2000325
	364T	40, 50, 60	P2000275	P2000330	P2000335
	364TS	60+++	P2000275	P2000330	P2000333
	364TS	60++++, 75	P2000271	P2000322	P2000325
	365T	60, 75	P2000278	P2000339	P2000344
	365TS	75#	P2000278	P2000339	P2000342
	365TS	75##, 100	P2000275	P2000330	P2000333
	404TS	75, 100	P2000278	P2000339	P2000343
404TS	125	P2000275	P2000330	P2000334	
FOR 5G AND 6G PUMPS WITH EXTRA LARGE BEARING FRAME 1 7/8" SHAFT AT COUPLER	324T	25, 40	P2000271	P2000325	P2000326
	326T	30, 50	P2000274	P2000333	P2000334
	364T	40, 60	P2000274	P2000333	P2000335
	364TS	60	P2000274	P2000333	P2000333
	365T	75	P2000277	P2000342	P2000344
	365TS	75	P2000277	P2000342	P2000342
	404TS	100	P2000277	P2000342	P2000343
	405TS	125	P2000280	P2000353	P2000354

\* Not at 1450 RPM

\*\* Not at 1750 RPM

\*\*\* Only at 1450 RPM

\*\*\*\* Only at 1750 RPM

+ Not for 2BC

++ Only for 2BC

+++ Only at 1750 RPM

++++ Not at 1750 RPM

# Only at 1750 RPM

## Not at 1750 RPM

# ANSI/OSHA Guard & Support Bracket Kit Selection Chart for Standard EPDM Coupling

Coupler Guard Kit Part Numbers: 1=186884 2=186885 3=186887 4=186888  
5=186889 6=185327

PUMP SIZE	BEARING FRAME	MOTOR FRAME / GUARD KIT NUMBER																SUPPORT BRACKET KIT							
		56	143T	145T	182T	184T	213T	215T	254T	256T	284T	284TS	286T	286TS	324T	324TS	326T		326TS	364T	364TS	365T	365TS	404TS	405TS
1 1/2 AB & 1 1/2 AC	SMALL	1	1	1	1	1	1	1	2																186905
																									186906
1 1/2 AB & 1 1/2 AC	SMALL	1	1	1	1	1	1	1	2																186905
																									186906
2AB & 2AC	SMALL	1	1	1	1	1	1	1	2	2															186905
																									186906
2 1/2 A & 2 1/2 AB	SMALL	1	1	1	1	1	1	1	2	2															186905
																									186906
3AB & 3AC	SMALL	1	1	1	1	1			2	2															186905
	LARGE						2	2		2	2														186904
																									186905
											2		2												186906
4AB & 4AC	SMALL	1	1	1	1	1																			186906
	LARGE						2	2	2					2	2										186905
											2		2												186906
5A	SMALL				1	1	1	1																	186908
	LARGE								2	2	2	2	2	2	2	2									186907
1 1/2 BB & 1 1/2 BC	SMALL	1	1	1	1	1																			186906
	LARGE						2	2	2	2			2	2											186905
																									186906
1 1/2 BB & 1 1/2 BC	SMALL	1	1	1	1	1																			186906
	LARGE						2	2	2					2	2										186905
																									186906
2BB & 2BC	SMALL	1	1	1	1	1																			186906
	LARGE						2	2	2					2	2										186905
																									186906
2 1/2 B & 2 1/2 BB	SMALL		1	1	1	1	1																		186906
	LARGE						2	2	2					2	2										186905
																									186906
3BB & 3BC	SMALL			1	1	1	1	2																	186906
	LARGE													2	2										186905
																									186906
4BB & 4BC	SMALL					1	1	2																	186908
	LARGE								2	2	2	2	2	2	2	2									186907
																									186910
5BB & 5BC	SMALL					1	1	2																	186911
	LARGE								2	2	2	2	2	2	2	2									186908
6BB & 6BC	LARGE						2	2	2	2	2	2	2	2	2	2									186908
	SMALL			1	1	1	1	2																	186908
2E	LARGE													2	2	2									186907
																									186910
3E	SMALL				1	1	1	2														2	3		186908
	LARGE								2																186907
																									186910
4E	SMALL					1	1	2																	186908
	LARGE								2	2				2	2	2									186907
																									186910
5E	LARGE						2	2	2	2	2	2	2	2	2	2									186908
6E	LARGE								2	2	2	2	2	2	2	2									186910
2CB & 2G	LARGE						2	2	2	2	2	2	2	2	2	2									186907
3CB & 3G	LARGE						2	2	2	2	2	2	2	2	2	2									186907
4CB, 4G & 4GB	LARGE						2	2	2	2	2	2	2	2	2	2									186908
5CB & 5G	LARGE								2	2	2	2	2	2	2	2						4	3		186910
	X-LARGE																					4	4	4	186913
6CB & 6G	LARGE								2	2	2	2	2	2	2	2						4	3	6	186910
	X-LARGE (a)																					4	4	4	186913
	X-LARGE (b)																					4	4	5	186913

(a) Standard Hytel Coupler  
(b) EPDM Sleeve Option

### HOW TO USE THIS CHART TO SELECT A COUPLER GUARD AND BRACKET KIT:

Example (shaded gray above): Pump Model = 4AC w/ a 20 HP, 208-230/460 Volt, 3 PH, 3600 RPM, 254T Fr. motor. The Coupler Guard kit is 186885 and the support bracket kit is 186905.

# Xylem |'zīləm|

- 1) The tissue in plants that brings water upward from the roots;
- 2) a leading global water technology company.

We're 12,500 people unified in a common purpose: creating innovative solutions to meet our world's water needs. Developing new technologies that will improve the way water is used, conserved, and re-used in the future is central to our work. We move, treat, analyze, and return water to the environment, and we help people use water efficiently, in their homes, buildings, factories and farms. In more than 150 countries, we have strong, long-standing relationships with customers who know us for our powerful combination of leading product brands and applications expertise, backed by a legacy of innovation.

**For more information on how Xylem can help you, go to [www.xylem.com](http://www.xylem.com)**



Xylem Inc.  
8200 N. Austin Avenue  
Morton Grove, Illinois 60053  
Phone: (847) 966-3700  
Fax: (847) 965-8379  
[www.bellgossett.com](http://www.bellgossett.com)

Bell & Gossett is a trademark of Xylem Inc. or one of its subsidiaries.  
© 2014 Xylem Inc. CP-207L-PL November 2014