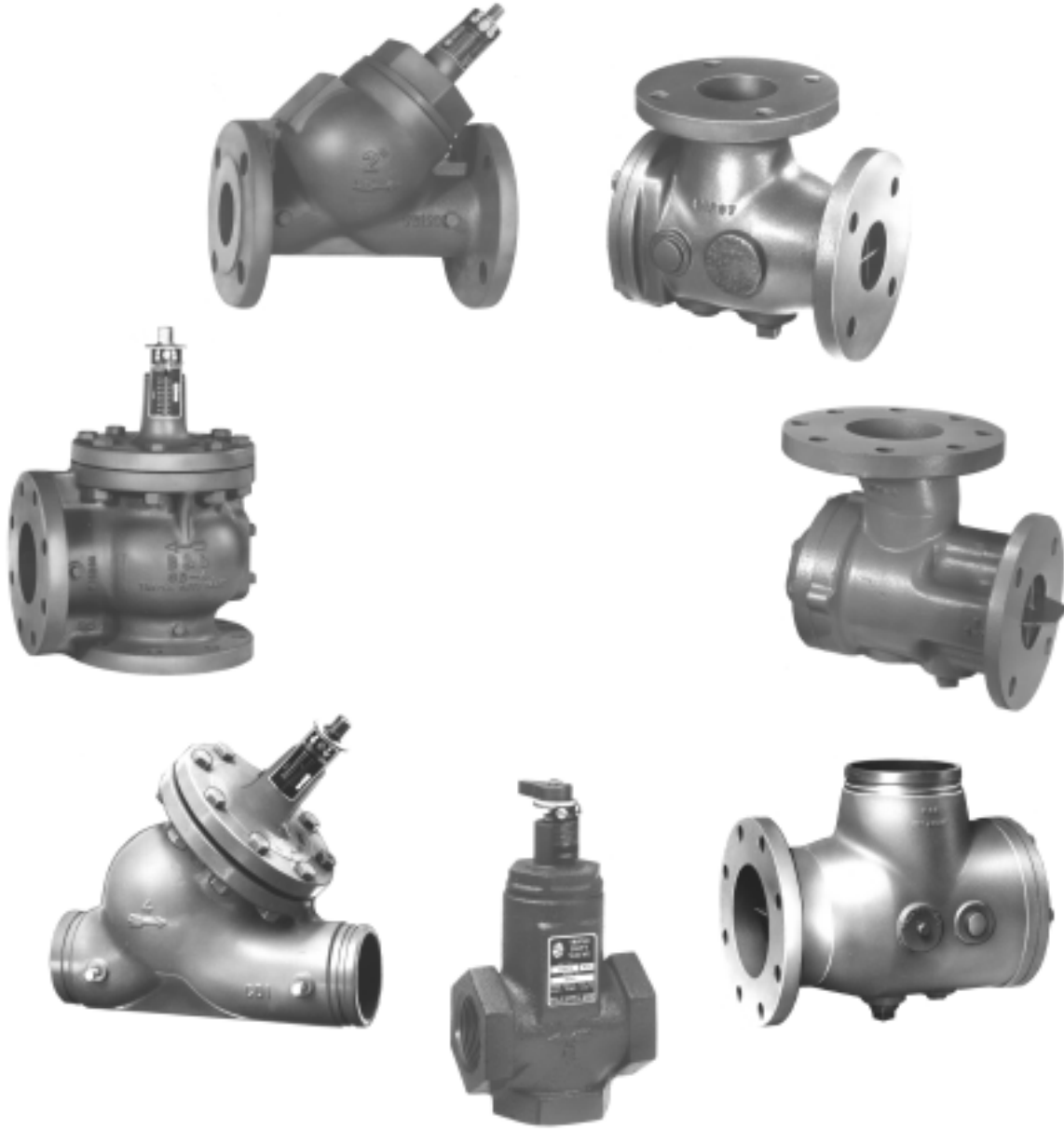




Bell & Gossett®
Parts List CP-800C-PL



Replacement Parts for Centrifugal Pump Accessories

Engineered for life

PUMP ACCESSORIES

Index

How To Use This Parts List	3
Replacement Parts for Thermoflo Indicators.....	4
Replacement Parts For Model 3DX Triple Duty Valves	5
Replacement Parts For Soft Seat Triple Duty Valves With Mechanical Couplings	6
Replacement Parts For Angle Style Soft Seat Triple Duty Valves	7
Replacement Parts For Straight Style Soft Seat Triple Duty Valves	8
Replacement Parts For Reduced Port Triple Duty Valves	9
Replacement Parts For Suction Diffusers With Mechanical Couplings.....	10
Replacement Parts For New Style Suction Diffusers	10
Replacement Parts For Old Style Suction Diffusers	11

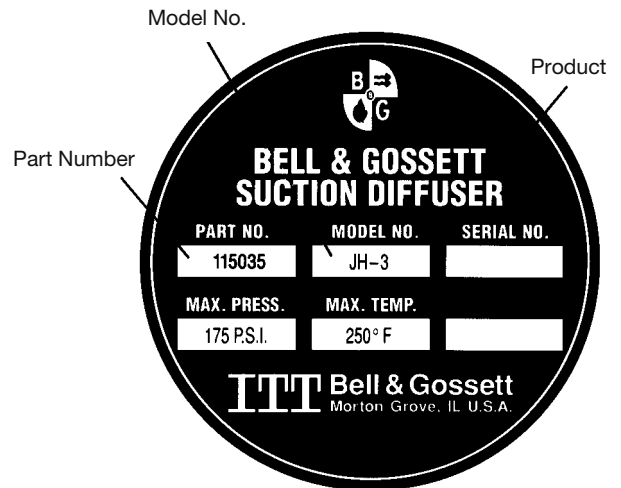
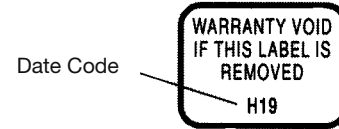
How to use this PARTS LIST

The nameplate on any unit in the Centrifugal Pump Accessories line identifies the specific unit by product type, model number and six digit part number as shown in the example below right.

The nameplate identifies the product as a suction diffuser, model number JH-3 with a part number of 115035. The suction diffuser was manufactured in August, 1991. If the date code is not imprinted on the nameplate, a label displaying the date of manufacture identical to the example above right can be found on the product. Although all nameplates in the Centrifugal Pump Accessories line do not look alike, all will display the product type, part number and model number. **DO NOT REMOVE THE NAMEPLATE OR THE LABEL.** They identify the unit for future reference. It is important when ordering replacement parts to furnish complete nameplate data.

To insure the correct parts will be selected, follow the procedure below:

1. Determine from the nameplate the product type, model number and six digit part number.
2. Determine the date the unit was manufactured. See chart below.
3. Refer to the index for the page number of the parts break down for the specific product type.
4. Find the proper column in the parts breakdown for the model number involved.
5. Select part numbers using the exploded views for parts identification.



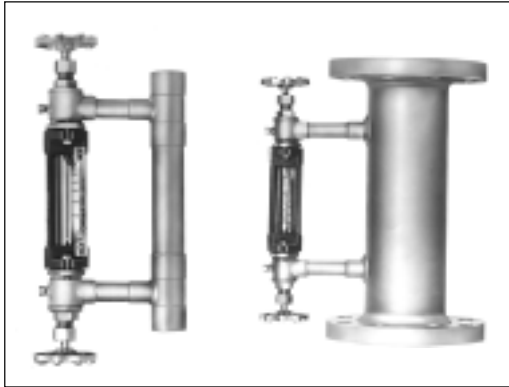
DATE OF MANUFACTURE CODE

The date code is made up of two or three characters depending upon the year.

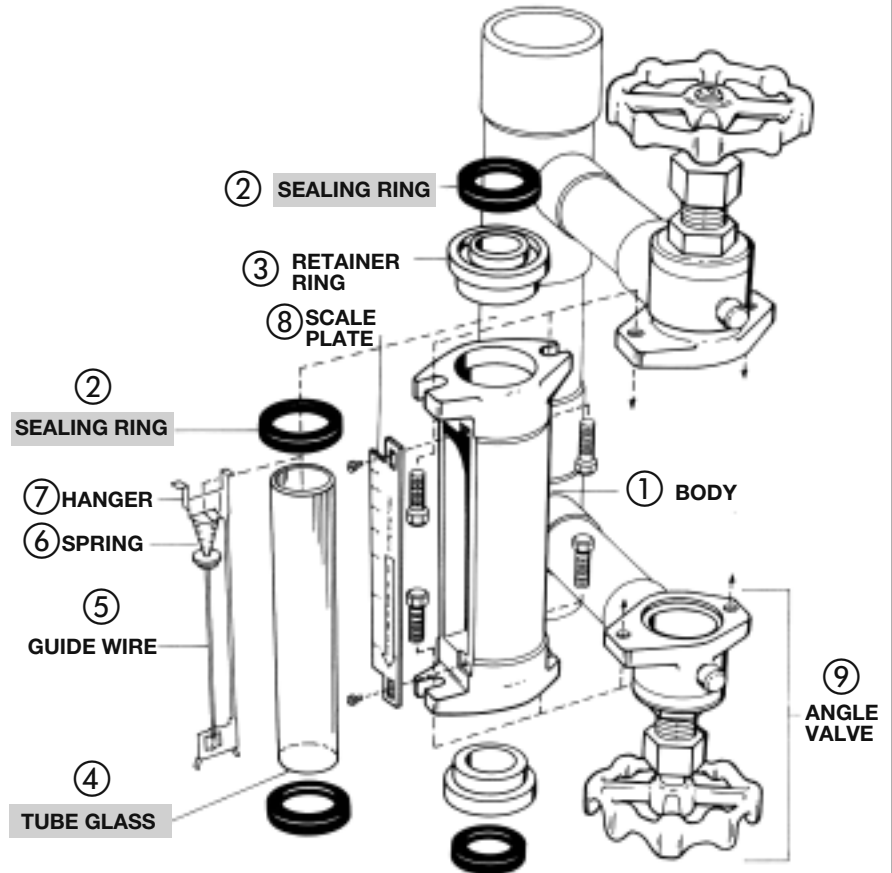
1946-1960 The number denotes the month. The last character is a letter and denotes the year.		1961-1982 Two characters. First letter is month. Second letter is year.		1983 - Three characters. The letter denotes month. The numbers denotes year.							
1	January	G	1946	A	January	A	1961	A	January	38	1983
2	February	H	1947	B	February	B	1962	B	February	48	1984
3	March	J	1948	C	March	C	1963	C	March	58	1985
4	April	K	1949	D	April	D	1964	D	April	68	1986
5	May	L	1950	E	May	E	1965	E	May	78	1987
6	June	M	1951	F	June	F	1966	F	June	88	1988
7	July	N	1952	G	July	G	1967	G	July	98	1989
8	August	P	1953	H	August	H	1968	H	August	09	1990
9	September	R	1954	J	September	J	1969	J	September	19	1991
10	October	T	1955	K	October	K	1970	K	October	29	1992
11	November	U	1956	L	November	L	1971	L	November	39	1993
12	December	V	1957	M	December	M	1972	M	December	49	1994
		W	1958			N	1973			59	1995
		X	1959			P	1974			69	1996
		Y	1960			R	1975			79	1997
						T	1976			89	1998
						U	1977			99	1999
						V	1978				
						W	1979				
						X	1980				
						Y	1981				
						Z	1982				

Centrifugal Pump Accessories Replacement Parts

Thermoflo Indicators



ASSEMBLED THERMOFLO INDICATOR



ITEM NO.	DESCRIPTION	TFI-1 ¹ / ₄ 140001	TFI-1 ¹ / ₂ 140002	TFI-2 140003	TFI-2 ¹ / ₂ 140004	TFI-3 140005	TFI-4 140006	TFI-5 140007	TFI-6 140008	TFI-8 140009
1	Body	G92500	→	→	→	→	→	→	→	→
3	Retainer Ring (2 req'd)	G92000	→	→	→	→	→	→	→	→
9	Angle Valve (2 req'd)	G95000	→	→	→	→	→	→	→	→
	Glass Tube Kit New Style (Clear)	189111	→	→	→	118820	→	→	→	→
	Glass Tube Kit Old Style (Etched) Consisting of:	118820	→	→	→	→	→	→	→	→
4	Tube Glass (Clear) - or - Tube Glass (Etched)	G91900 G91904	→ →	→ →	→ →	→ →	→ →	→ →	→ →	→ →
7	Hanger	F69000	→	→	→	→	→	→	→	→
5	Guide Wire	F69200	→	→	→	→	→	→	→	→
6	Spring	F66800	→	→	→	→	→	→	→	→
2	Sealing Ring (4 req'd)	F67200	→	→	→	→	→	→	→	→
8	Scale Plate	G95594	G95595	G95596	G95597	G95598	G95915	G95916	G95917	G95918

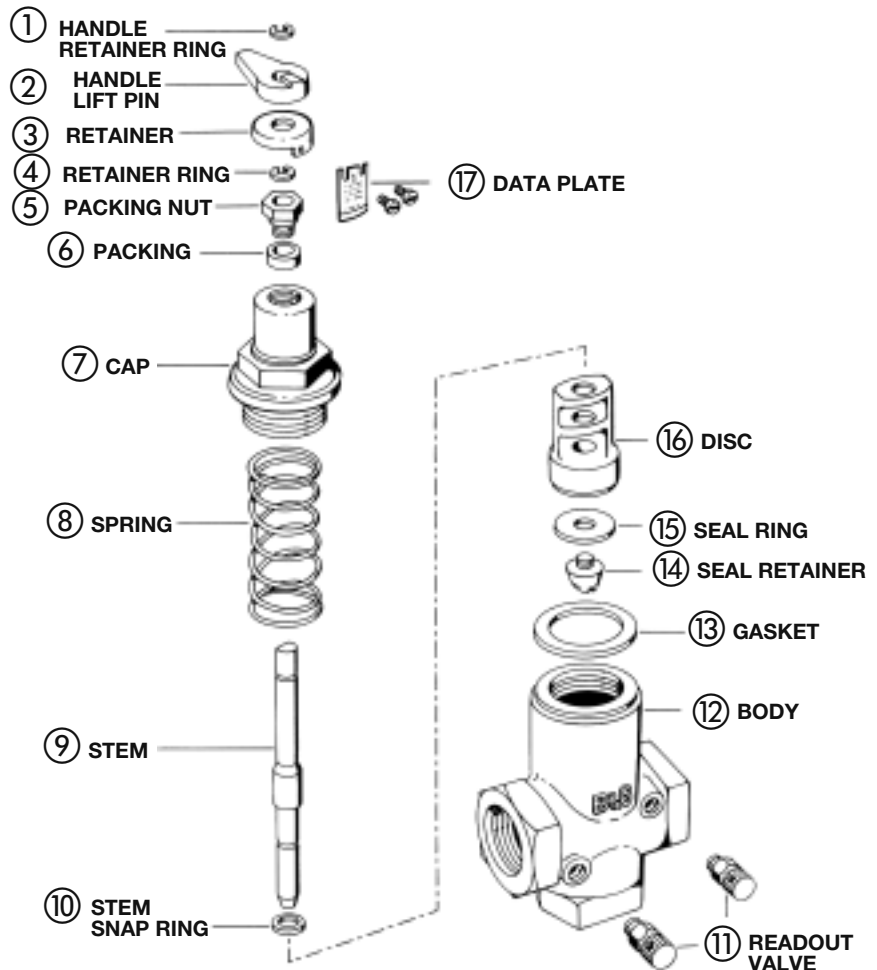
■ - Factory recommended spare parts.

Centrifugal Pump Accessories Replacement Parts

Triple Duty® Valves – Model 3DX



**ASSEMBLED MODEL 3DX
TRIPLE DUTY VALVE**



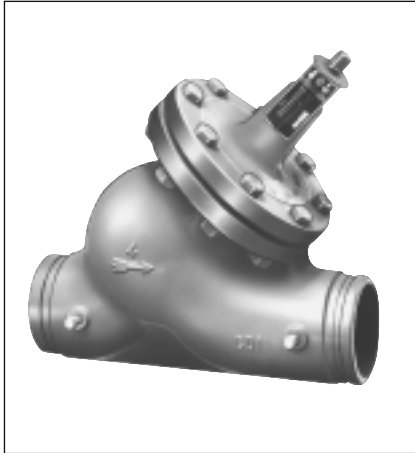
ITEM NO.	DESCRIPTION	3DX-1 132072	3DX-1½ 132159	3DX-1½ 132074
12	Body	V50807	V50808	V50809
11	Readout Valve Set	G97030	G97030	G97030
	Readout Probe Set	G97032	G97032	G97032
	Disc Kit Consisting of:	118860	118858	118859
9	Stem	V50767	V50768	V50769
16	Disc	V50697	V50698	V50699
15	Seal Ring	V50781	V50782	V50783
14	Seal Retainer	V50686	V56889*	V50688
8	Spring	V51077	V51078	V51079
7	Cap	V50690	V50693	V50696
13	Gasket	F44400	F47200	F49000
6	Packing	F10000	F10000	F10000
5	Packing Nut	F09600	F09600	F09600
17	Data Plate	V50855	V50856	V50857
2	Handle Lift Pin	F13400	F13400	F13400
1	Handle Retainer Ring	F42800	F42800	F42800
10	Stem Snap Ring	F02800	F20800	F20800
4	Retainer Ring	J92344	J92344	J92344
3	Retainer	V50740	V50740	V50740

* Also includes V50687, seal retainer for old style 3DX 1½.

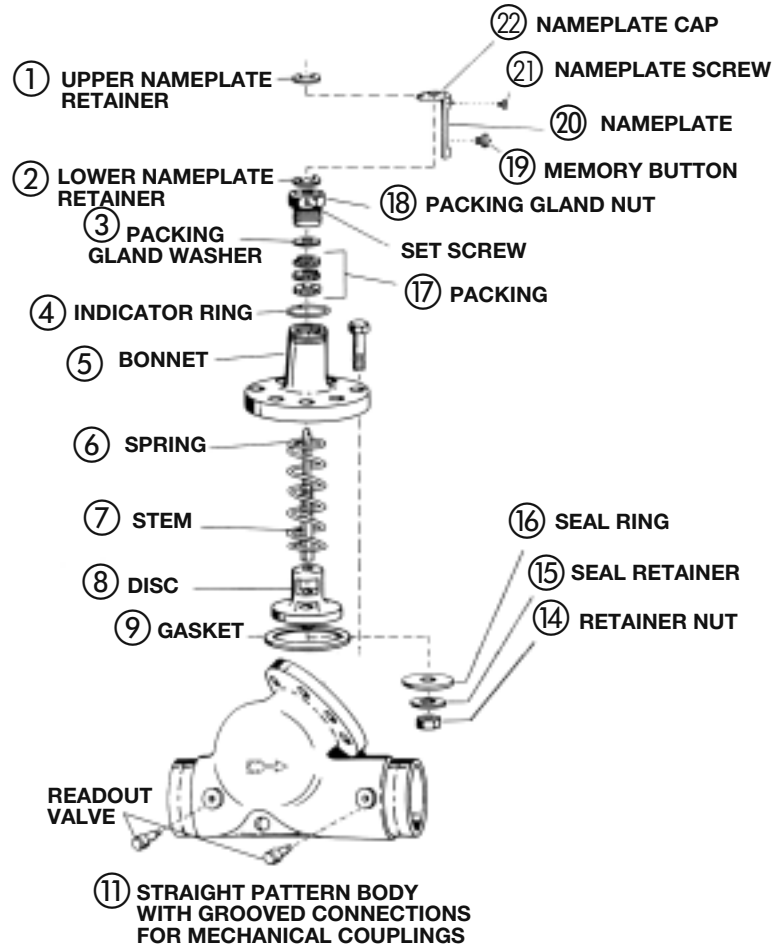
■ – Factory recommended spare parts.

Centrifugal Pump Accessories Replacement Parts

Triple Duty® Valves – Grooved Connections



**ASSEMBLED TRIPLE
DUTY VALVE**



*3 pieces used on 4" thru 10" valves only
2", 2 1/2", & 3" valves use 1 piece packing
12" & 14" valves use 4 pieces packing.

ITEM NO.	DESCRIPTION	3DS-2G 132150	3DS-2 1/2 G 132151	3DS-3G 132152	3DS-4G 132153	3DS-5G 132154	3DS-6G 132155	3DS-8G 132156	3DS-10G 132157	3DS-12G 132158
7	Stem	V50922		V50924	V50925	V50926	V50927	V50928	V50929	V50930
8	Disc*	V50912	V50913	V50914	V50915	V50916	V50917	V50918	V56882	V56884
16	Seal Ring*	V50932	V50933	V50934	V50935	V50936	V50937	V50938	V50939	V50940
15	Seal Retainer*	V50942	V58164		V50945	V50946	V50947	V50948	V50949	V50950
14	Retainer Nut*	J91634			J91635			J91636		
6	Spring	V50952		V50953	V50954		V50955	V50956	V50957	V50958
5	Bonnet	V51811	V51813	V51813	V51142	V51815	V51817	V51819	V51821	V51841
9	Gasket	F27800		F19000	V29400	V32801	V33001	V35000	V36400	V36401
17	Packing	F17000			V51096 (3)			V51097 (4)		
18	Packing Gland Nut	F16600			V51281			V51183		
3	Packing Gland Washer	NONE			V51282			V51184		
11	Body	V50818	V50819	V50820	V18802	V50821	V50822	V50823	V50824	V50825
20	Nameplate	V51823	V51824	V51825	V51826	V51827	V51828	V51829	V51830	V51831
1	Upper Nameplate Retainer	V51090			V51091			V51092		
2	Lower Nameplate Retainer	V51093			V51094			V51095		
22	Nameplate Cap	V51111			V51114			V51119		
21	Nameplate Screw (2)				J92135					
4	Indicator Ring	V51180			V51181			J94171		
19	Memory Button	V56879			V56880					

* When replacing the disc, all four disc assembly parts are necessary.

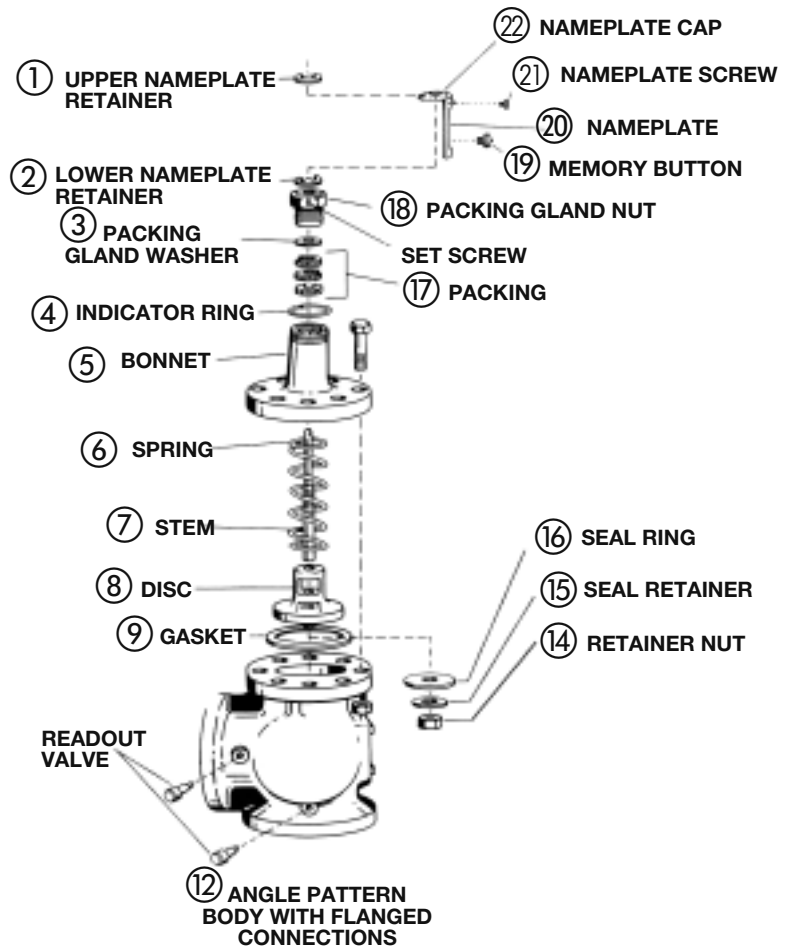
■ – Factory recommended spare part.

Centrifugal Pump Accessories Replacement Parts

Triple Duty® Valves – Angle Pattern



**ASSEMBLED TRIPLE
DUTY VALVE**



*3 pieces used on 4" thru 10" valves only
2", 2 1/2", & 3" valves use 1 piece packing
12" & 14" valves use 4 pieces packing.

ITEM NO.	DESCRIPTION	3D-2S 132131	3D-2 1/2 S 132132	3D-3S 132133	3D-4S 132134	3D-5S 132135	3D-6S 132136	3D-8S 132137	3D-10S 132138
7	Stem	V50922		V50924	V50925	V50926	V50927	V50928	V50929
8	Disc*	V50912		V50914	V50915	V50916	V50917	V50918	V50919
16	Seal Ring*	V50932		V50934	V50935	V50936	V50937	V50938	V50939
15	Seal Retainer*	V50942		V58164	V50945	V50946	V50947	V50948	V50949
14	Retainer Nut*	J91634			J91635			J91636	
6	Spring	V50952		V50953	V50954		V50955	V50956	V50957
5	Bonnet	V51122		V51126	V51128	V51130	V51132	V51134	V51136
9	Gasket	F27800		F19000	V29400	V32801	V33001	V35000	V36400
17	Packing	F17000			V51096 (3)				
18	Packing Gland Nut	F16600			V51281				
3	Packing Gland Washer	NONE			V51282				
12	Body	V50810	V50811	V50812	V50813	V50814	V50815	V50816	V50817
20	Nameplate	V50971	V50972	V50973	V50974	V50975	V50976	V50977	V50978
1	Upper Nameplate Retainer	V51090			V51091				
2	Lower Nameplate Retainer	V51093			V51094				
22	Nameplate Cap	V51111			V51114				
21	Nameplate Screw (2)				J92135				
4	Indicator Ring	V51180			V51181				
19	Memory Button	V56879			V56880				

* When replacing the disc, all four disc assembly parts are necessary.

■ – Factory recommended spare part.

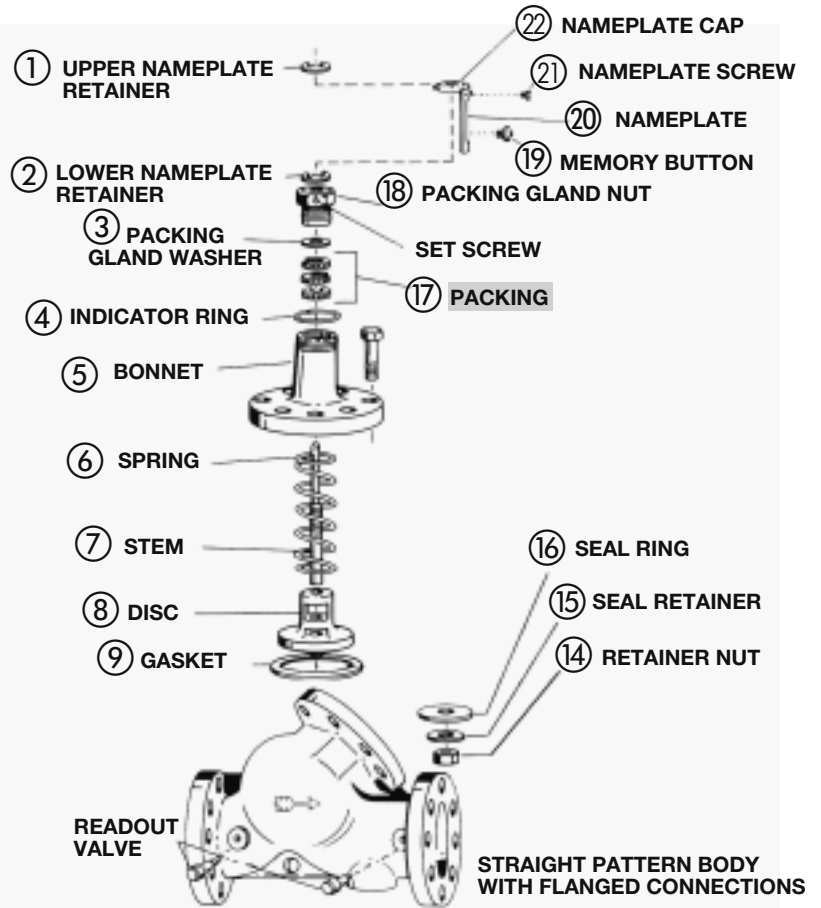
NOTE: Consult factory if parts are needed for valves not listed in this parts list.

Centrifugal Pump Accessories Replacement Parts

Triple Duty® Valves – Straight Pattern



**ASSEMBLED TRIPLE
DUTY VALVE**



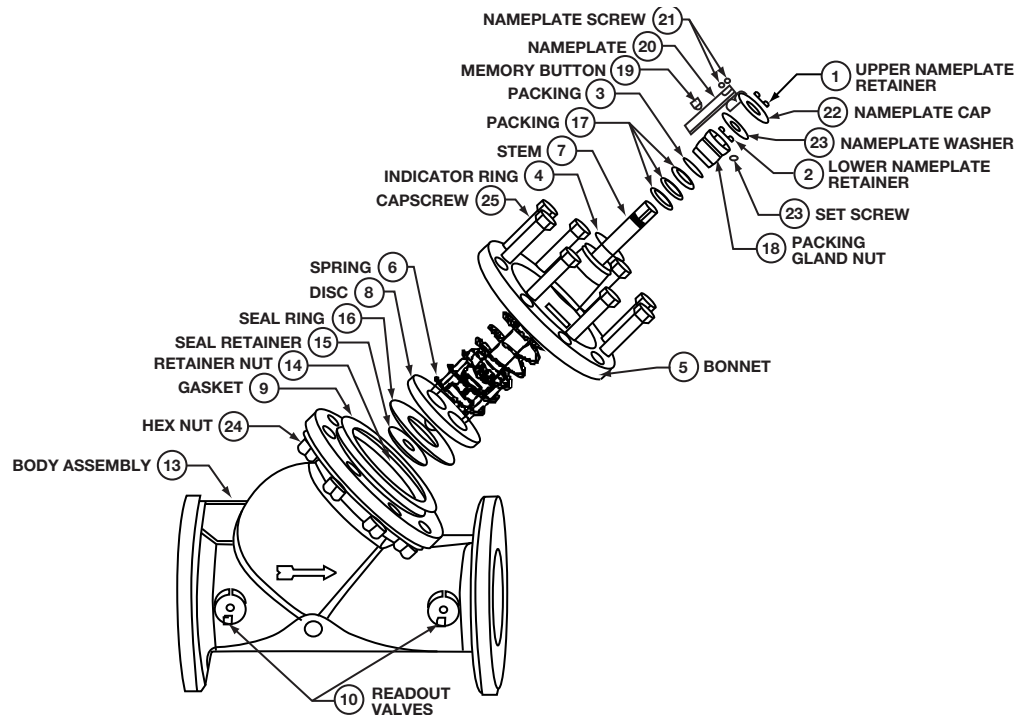
ITEM NO.	DESCRIPTION	3DS-2S 132121	3DS-2 1/2 S 132122	3DS-3S 132123	3DS-4S 132124	3DS-5S 132125	3DS-6S 132126	3DS-8S 132127	3DS-10S 132128	3DS-12S 132129	3DS-14S 132120
7	Stem	V50922		V50924	V50925	V50926	V50927	V50928	V50929	V50930	V50778
8	Disc*	V50912	V50913	V50914	V50915	V50916	V50917	V50918	V50919	V50920	V50754
16	Seal Ring*	V50932	V50933	V50934	V50935	V50936	V50937	V50938	V50939	V50940	V50793
15	Seal Retainer*	V50942	V58164		V50945	V50946	V50947	V50948	V50949	V50950	V50750
14	Retainer Nut*	J91634			J91635			J91636			J91637
6	Spring	V50952		V50953	V50954		V50955	V50956	V50957	V50958	V51083
5	Bonnet	V51122		V51126	V51128	V51130	V51132	V51134	V51136	V51138	V51140
9	Gasket	F27800		F19000	V29400	V32801	V33001	V35000	V36400	V36401	V36402
17	Packing	F17000			V51096 (3)			V51097 (4)			
18	Packing Gland Nut	F16600			V51281			V51183			
3	Packing Gland Washer	NONE			V51282			V51184			
13	Body	V50830	V50831	V50832	V50833	V50834	V50835	V50836	V50837	V50838	V50839
20	Nameplate	V50961	V50962	V50963	V50964	V50965	V50966	V50967	V50968	V50969	V50896
1	Upper Nameplate Retainer	V51090			V51091			V51092			
2	Lower Nameplate Retainer	V51093			V51094			V51095			
22	Nameplate Cap	V51111			V51114			V51119			
21	Nameplate Screw (2)				J92135						
4	Indicator Ring	V51180			V51181			J94171			
19	Memory Button	V56879			V56880						

* When replacing the disc, all four disc assembly parts are necessary.

■ – Factory recommended spare part.

NOTE: Consult factory if parts are needed for valves not listed in this parts list.

Triple Duty® Valves – Reduced Port

Centrifugal Pump
Accessories
Replacement Parts

ITEM NO.	DESCRIPTION	3DS-3B 132160	3DS-4B 132161	3DS-5B 132162	3DS-6B 132163	3DS-8B 132164	3DS-10B 132165	3DS-12B 132166	3DS-14B 132167	3DS-16B 132168	
13	Body Assembly	V51958	V51961	V51964	V51967	V51970	V51973	V51976	V51979	V51982	
9	Gasket	F27800	F19000	V29400	V32801	V33001	V35000	V36400	V36401	V36402	
5	Bonnet Assembly	V51122	V51126	V51128	V51130	V51132	V51134	V51136	V51138	V51140	
7	Stem	V50922	V50924	V50925	V50926	V50927	V50928	V50929	V50930	V50778	
18	Packing Gland Nut	F16600		V51281				V51183			
3	Packing Gland Washer	N/A	N/A	V51282				V51184			
6	Spring	V50952	V50953	V50954	V50955	V50956	V50957	V50958	V51083		
17	Packing	F17000		V51096 / qty. 3				V51097 / qty. 4			
10	Readout Valve	G97010									
19	Memory Button	V56879			V56880						
20	Nameplate	V57089	V57090	V57091	V57092	V57093	V57094	V57095	V57096	V57097	
22	Nameplate Cap	V51111			V51114				V51119		
21	Nameplate Screw	J92135									
1	Upper Nameplate Retainer	V51090			V51091				V51092		
2	Lower Nameplate Retainer	V51093			V51094				V51095		
4	Indicator Ring	V51180			V51181						
24	Capscrew	N/A	N/A	A37800 qty. 8	M06690 qty. 8		DJ0157 qty. 8	M06720 qty. 10	DJ0157 qty. 12		
25	Hex Nut	N/A	N/A	T33740 qty. 8	T35840 qty. 8			T39830 qty. 10	T35840 qty. 12		
	Disc Assembly	V51757*	V51758*	V51759*	V51760*	V51761*	V51762*	V51763*	N/A		
8	Disc	N/A	N/A	N/A	N/A	N/A	N/A	N/A	V50920	V50754	
16	Seal Ring	N/A	N/A	N/A	N/A	N/A	N/A	N/A	V50940	V50793	
15	Seal Retainer	N/A	N/A	N/A	N/A	N/A	N/A	N/A	V50950	V50750	
14	Retainer Nut	N/A	N/A	N/A	N/A	N/A	N/A	N/A	J91636	J91637	

* Disc Assembly includes: disc, seal ring, seal retainer, and retainer nut.

■ - Factory recommended spare part.

Centrifugal Pump Accessories Replacement Parts

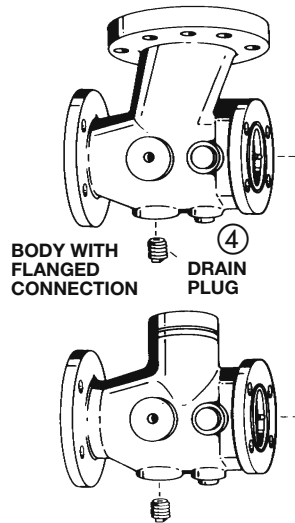
Suction Diffusers



**SUCTION DIFFUSER
W/ GROOVED CONNECTIONS**



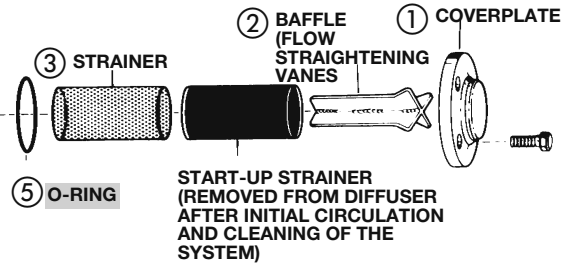
**ASSEMBLED SUCTION
DIFFUSER**



**BODY WITH
FLANGED
CONNECTION**

**4
DRAIN
PLUG**

**BODY WITH GROOVED
CONNECTIONS FOR
MECHANICAL COUPLINGS**



**START-UP STRAINER
(REMOVED FROM DIFFUSER
AFTER INITIAL CIRCULATION
AND CLEANING OF THE
SYSTEM)**

MODELS WITH NPT OR FLANGED CONNECTIONS

ITEM NO.	SIZE	MODEL	"X" MODELS WITH STEEL COMPONENTS		"Z" MODELS WITH STAINLESS STEEL COMPONENTS			5 O-RING	1 COVER-PLATE	4 DRAIN PLUG	START-UP STRAINERS		
			2 PART NO.	3 BAFFLE	3 STRAINER	2 PART NO.	2 BAFFLE				3 STRAINER	12 SUCTION DIFFUSER PART NO.	13 STRAINER PART NO.
	2x1 1/2	BA-3(Z)	115019	A91554	A91270	115060	A91563	A91280	J94140	A91242	M06420	115019	A91260
	2x2	BB-3(Z)	115036	A91555	A91271	115050	A91564	A91281	J94141	A91244	M06420	115036	A91261
	2 1/2x2	CB-3(Z)	115037	A91555	A91271	115051	A91564	A91281	J94141	A91244	M06420	115037	A91261
	2 1/2x2 1/2	CC-3(Z)	115038	A91556	A91278	115052	A07029	A91288	J94141	A91244	M06420	115038	A91268
	3x1 1/2	DA-3(Z)	115021	A91555	A91271	115061	A91564	A91281	J94141	A91244	M06420	115021	A91261
	3x2	DB-3(Z)	115022	A91555	A91271	115062	A91564	A91281	J94141	A91244	M06420	115022	A91261
	3x2 1/2	DC-3(Z)	115039	A91556	A91278	115053	A07029	A91288	J94141	A91244	M06420	115039	A91268
	3x3	DD-3(Z)	115024	A91557	A91272	115063	A07030	A91282	J94130	A91246	M06420	115024	A91262
	4x2 1/2	EC-3(Z)	115075	A91556	A91278	115076	A07029	A91288	J94141	A91244	M06420	115075	A91268
	4x3	ED-3(Z)	115025	A91557	A91272	115064	A07030	A91282	J94130	A91246	M06420	115025	A91262
	4x4	EE-3(Z)	115026	A91558	A91273	115065	A07031	A91283	J94131	A91248	M06420	115026	A91263
	5x4	FE-3(Z)	115027	A91558	A91273	115066	A07031	A91283	J94131	A91248	M06420	115027	A91263
	5x5	FF-3(Z)	115029	A91559	A91274	115068	A07032	A91284	J94142	A91250	M06420	115029	A91264
	6x4	GE-3(Z)	115028	A91558	A91273	115067	A07031	A91283	J94131	A91248	M06420	115028	A91263
	6x5	GF-3(Z)	115030	A91559	A91274	115069	A07032	A91284	J94142	A91250	M06420	115030	A91264
	6x6	GG-3(Z)	115031	A91560	A91275	115070	A07033	A91285	J94143	A91252	M06420	115031	A91265
	8x6	HG-3(Z)	115032	A91560	A91275	115071	A07033	A91285	J94143	A91252	M06420	115032	A91265
	8x8	HH-3(Z)	115033	A91561	A91276	115072	A07034	A91286	J94144	A91254	M06420	115033	A91266
	10x8	JH-3(Z)	115035	A91561	A91276	115074	A07034	A91286	J94144	A91254	M06420	115035	A91266
	10x10	JJ-3(Z)	115034	A91562	A91277	115073	A07035	A91287	J94145	A91256	M06420	115034	A91267

MODELS WITH GROOVED CONNECTIONS

ITEM NO.	MODEL NO.	PART NO.	2 BAFFLE	3 STRAINER	5 O-RING	1 COVERPLATE	4 DRAIN PLUG	START-UP STRAINERS	
								12 SUCTION DIFFUSER PART NO.	13 STRAINER PART NO.
	SDG-2 1/2	115040	A07029	A91288	J94141	A07016	M06420	115040	A91268
	SDG-3	115041	A07030	A91282	J94130	A07018	M06420	115041	A91262
	SDG-4	115042	A07031	A91283	J94131	A07020	M06420	115042	A91263
	SDG-5	115043	A07032	A91284	J94142	A07022	M06420	115043	A91264
	SDG-6	115044	A07033	A91285	J94143	A07024	M06420	115044	A91265
	SDG-8	115045	A07034	A91286	J94144	A07026	M06420	115045	A91266
	SDG-10	115046	A07035	A91287	J94145	A07028	M06420	115046	A91267

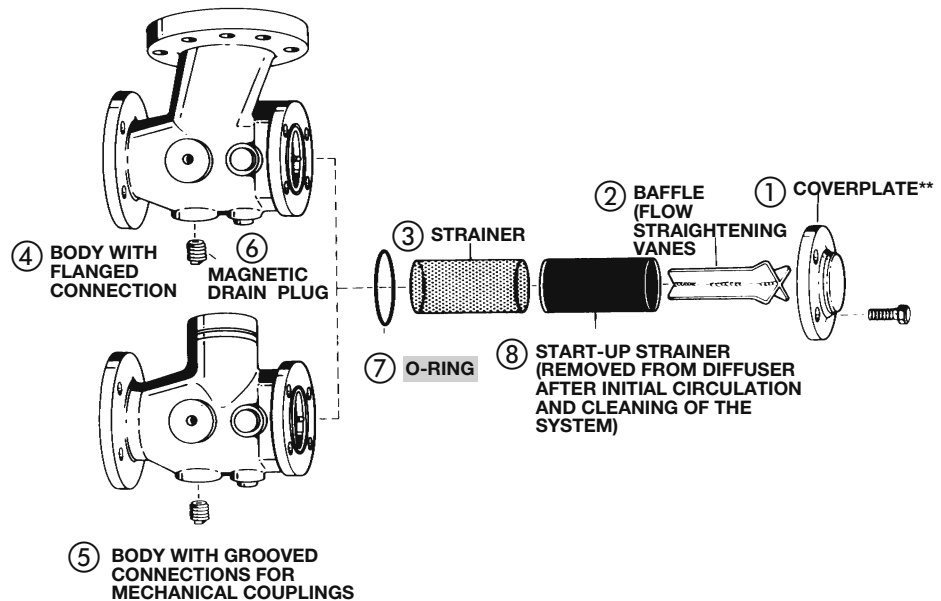
■ - Factory recommended spare parts.

Centrifugal Pump Accessories Replacement Parts

Suction Diffusers



**ASSEMBLED SUCTION
DIFFUSER - OLD STYLE**



MODEL NO.	② BAFFLE		③ STRAINER		⑦ O-RING	⑥ DRAIN PLUG
	STEEL	304SS	STEEL	304SS		
BZ-3	A91554	A91563	A91270	A91280	J94140	M06420
DB	N/A	A91527	N/A	A91498	J94136	M06420
DC	N/A	A91528	N/A	A91499	J94130	M06420
DC-3*	N/A	N/A	N/A	A91282	J94130	M06420
DD	N/A	A91529	N/A	A91500	J94130	M06420
EC-3	N/A	A91556	N/A	A91278	J94141	M06420
ED	N/A	A91529	N/A	A91500	J94130	M06420
EE	N/A	A91530	N/A	A91501	J94131	M06420
FE	N/A	A91530	N/A	A91501	J94131	M06420
FF-2	N/A	A91531	N/A	A91502	J94132	M06420
GE	N/A	A91530	N/A	A91501	J94131	M06420
GF-2	N/A	A91531	N/A	A91502	J94132	M06420
GG	N/A	A91532	N/A	A91503	J94133	M06420
HG	N/A	A91532	N/A	A91503	J94133	M06420
HH-2	N/A	A91533	N/A	A91504	J94134	M06420
JJ	N/A	A91534	N/A	A91505	J94135	M06420

* Part Number 115023, manufactured 2/73 – 3/83.

N/A – Not Available

** – Not Available for old style Suction Diffusers.

■ – Factory recommended spare part.



© Copyright © 2010 ITT Corporation
Printed in U.S.A. 7-10

THE ITT ENGINEERED BLOCKS SYMBOL AND
ENGINEERED FOR LIFE ARE REGISTERED
TRADEMARKS OF ITT MANUFACTURING
ENTERPRISES, INC.

ITT
8200 N. Austin Avenue
Morton Grove, IL 60053
Phone: (847) 966-3700
Fax: (847) 966-9052
www.bellgossett.com