

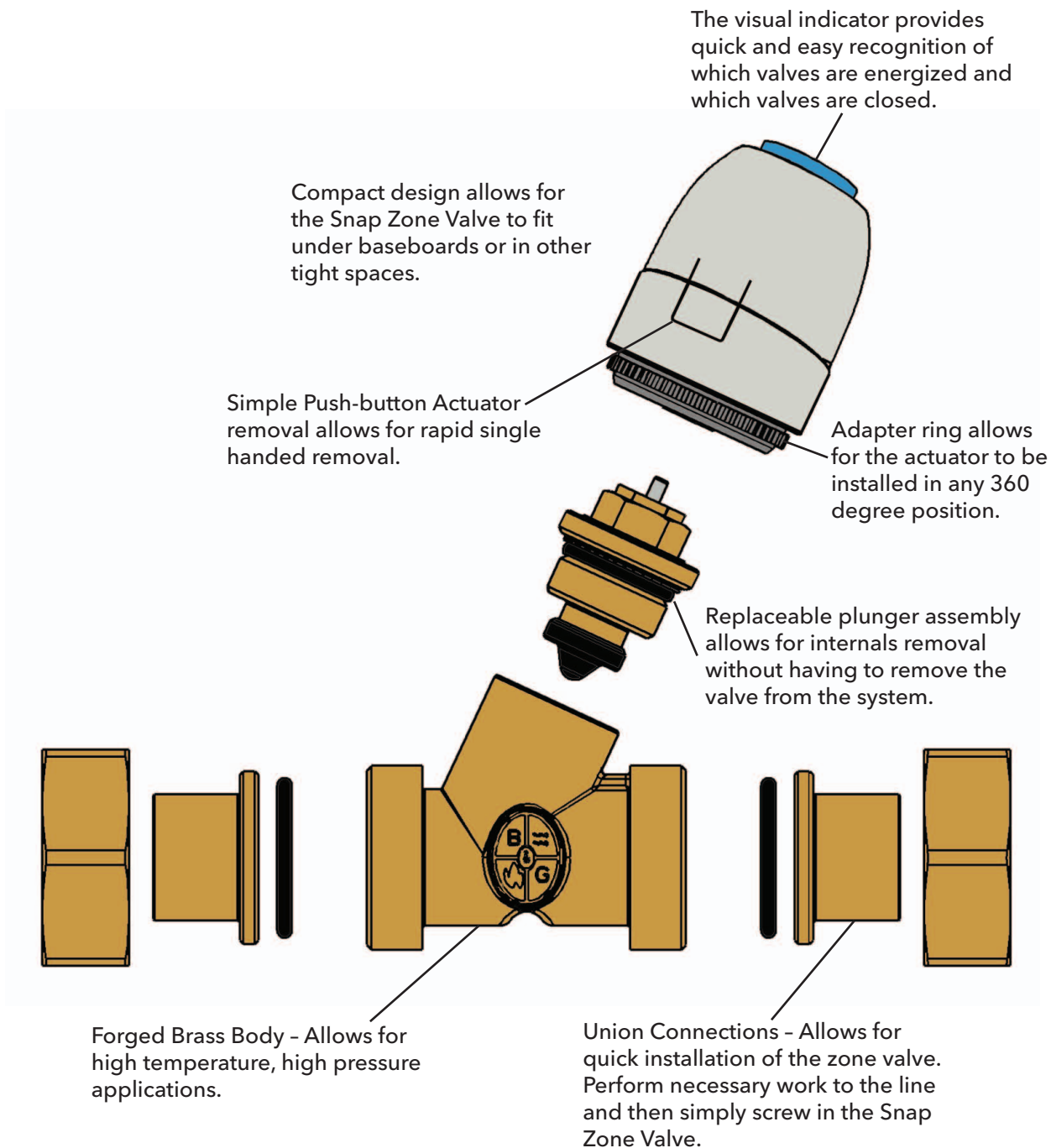


Snap Zone™ Valve

FOR RESIDENTIAL AND LIGHT COMMERCIAL APPLICATIONS

The Bell & Gossett Snap Zone™ Valve is an on/off zone valve for residential and light commercial use.

Snap Zone valves are precision engineered four wire thermoelectrically operated valves designed for heating and cooling systems. The valve opens and closes based upon the voltages applied to the actuator. Use the Bell & Gossett Snap Zone Valves to speed installation time and reduce callback times to customers. The actuator can be installed or removed at any angle on the adapter ring. The compact design and universality in the actuator mounting position allows for easy installation in the most difficult positions.



Check it out. Bell & Gossett Snap Zone leads the way.

Features	Bell & Gossett Snap Zone	Honeywell V8043	Erie Pop-Top	Caleffi Z-One	Taco Zone Sentry	Advantage
Soft Close Technology	✓	✓			✓	Supresses Water Hammer
Silent Actuator Operation	✓	✓				No callbacks due to noise issues
Valve In-Pipe Serviceable	✓	✓	✓			Internal components can be removed without having to remove unit from the system.
360 Degree Actuator Installation	✓					Versatility in installation allowing wiring in any direction
One Handed Actuator Installation	✓		✓	✓	✓	Quick and simple installation and removal of actuator in awkward positions and tight spaces.
Durable Materials of Construction	✓	✓				No callbacks due to gear breakage
3-Year Warranty (from date of installation)	✓	✓	1 year (from date of installation)	1 year	✓	Peace of mind to the homeowner

Operating Data

Operating Temperature Range - Fluid: 32°F (0°C) - 212°F (100°C)
 Ambient Temperature Range: 32°F (0°C) - 122°F (50°C)
 Max. Operating Pressure: 240 PSI
 Max. Differential Closeoff: 60 PSI
 Glycol Compatability: 50/50 Mix
 Shutoff Speed: 3 min.
 Opening Speed: 3 min.
 Electrical Rating: 24V 60Hz
 Max. Inrush Current: 250 mA
 Operating Current : 75 mA
 Power Consumption: 1.8W
 End Switch Rating: 1.0A @ 24VAC



Materials of Contruction

Actuator

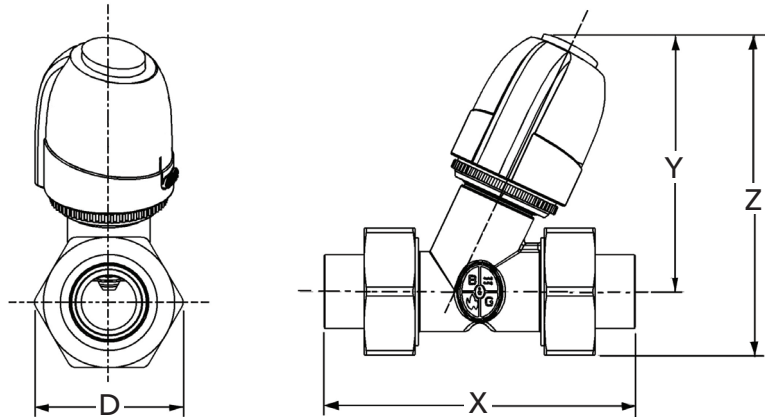
Housing: Polyamide
 Cable: PVC

Valve

Body: Brass
 Stem: Stainless Steel
 Spring: Stainless Steel
 Plunger Seat: EPDM
 Bonnet/Packing Box: Brass
 O-Rings: EPDM
 Tailpieces: Brass
 Union Nuts: Brass

Snap Zone™ Valve

Model Number Naming Convention	
SZV	Snap Zone Valve
050	Body Size 050 = 0.500" 075 = 0.750" 100 = 1.000"
N	Connection Type S = Sweat Body N = FNPT Threaded
4W	Actuator Type 4W = 4 Wire
E	End Switch E = Endswitch



Cv Ratings

Snap Zone Size	1/2"	3/4"	1"
Cv	1.8	2.8	2.8

Specifications

Model Number	Part Number	Description	Dimensions, in inches (mm)				Shipping Weight, lbs (kg)
			D	X	Y	Z	
SZV-050S-4WE	109500	1/2" SWT Zone Valve, 4 Wire	1.59 (40.3)	3.48 (88.5)	3.55 (90.2)	4.24 (107.7)	1.4 (0.6)
SZV-075S-4WE	109501	3/4" SWT Zone Valve, 4 Wire	2.02 (51.3)	4.28 (108.7)	3.55 (90.2)	4.42 (112.5)	1.4 (0.6)
SZV-100S-4WE	109502	1" SWT Zone Valve, 4 Wire	2.24 (56.9)	4.28 (108.7)	3.55 (90.2)	4.52 (114.9)	1.4 (0.6)
SZV-050N-4WE	109506	1/2" NPT Zone Valve, 4 Wire	1.59 (40.3)	3.58 (91.0)	3.55 (90.2)	4.24 (107.7)	1.4 (0.6)
SZV-075N-4WE	109507	3/4" NPT Zone Valve, 4 Wire	2.02 (51.3)	4.18 (106.1)	3.55 (90.2)	4.42 (112.5)	1.4 (0.6)
SZV-100N-4WE	109508	1" NPT Zone Valve, 4 Wire	2.24 (56.9)	4.44 (112.7)	3.55 (90.2)	4.52 (114.9)	1.4 (0.6)
SZV-050S-000	109512	1/2" Sweat Body	1.59 (40.3)	3.48 (88.5)	-	-	1.0 (0.4)
SZV-075S-000	109513	3/4" Sweat Body	2.02 (51.3)	4.28 (108.7)	-	-	1.0 (0.4)
SZV-100S-000	109514	1" Sweat Body	2.24 (56.9)	4.28 (108.7)	-	-	1.0 (0.4)
SZV-050N-000	109515	1/2" NPT Body	1.59 (40.3)	3.58 (91.0)	-	-	1.0 (0.4)
SZV-075N-000	109516	3/4" NPT Body	2.02 (51.3)	4.18 (106.1)	-	-	1.0 (0.4)
SZV-100N-000	109517	1" NPT Body	2.24 (56.9)	4.44 (112.7)	-	-	1.0 (0.4)
SZV-000-4WE	109518	4 Wire Actuator w/ES	-				0.4 (0.2)



Xylem Inc.
8200 N. Austin Avenue
Morton Grove, Illinois 60053
Phone: (847) 966-3700
Fax: (847) 965-8379
www.xylem.com/brands/bellgossett

Bell & Gossett is a trademark of Xylem Inc. or one of its subsidiaries.
© 2012 Xylem Inc. A-436 June 2012