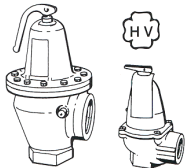


JOB:	REPRESENTATIVE:	
UNIT TAG:	SUBMITTED BY:	DATE:
ENGINEER:	APPROVED BY:	DATE:
CONTRACTOR:		

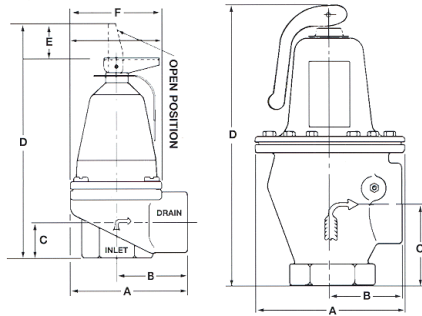


Safety Relief Valves ASME Valves and Fittings

Patent No. 3,294,114

DESCRIPTION

B&G diaphragm operated cast iron and diaphragm-assist operated bronze ASME Safety Relief Valves are designed to protect fired and unfired hot water pressure vessels against over-pressure conditions. These valves feature a unique failsafe disc with sufficient area to permit the valves to maintain their safety relief function in the event of a diaphragm rupture. These valves are designed, manufactured, tested and labeled in accordance with the requirements of Section IV of the ASME Boiler and Pressure Vessel code. They are offered in a wide range of capacities to permit a close match with the boiler output rating.



OPERATING DATA

MODEL	MAXIMUM WORKING PRESSURE	MAXIMUM OPERATING TEMPERATURE
790	125 PSIG (8.6 bar)	250°F (121°C)
1170		
3301	50 PSIG (3.4 bar)	250°F (121°C)
4100		

CONSTRUCTION

790 & 1170

Body: Brass
Diaphragm & Seat: EPDM
Internal Wetted Parts: Brass

3301 & 4100

Body: Cast Iron
Diaphragm & Seat: EPDM
Internal Wetted Parts: Brass

DIMENSIONS & WEIGHTS

MODEL NUMBER*	BODY	DIMENSIONS-INCHES (mm)								APPROXIMATE SHIPPING WEIGHT LBS. (kg)
		NPT CONNECTIONS		A	B	C	D	E	F	
		INLET	OUTLET							
790	BRONZE	3/4	3/4	2-9/16 (65.1)	1-1/2 (38.1)	3/4 (19.1)	4-9/16 (115.9)	1-1/32 (26.2)	2-3/16 (55.6)	1.2 (0.5)
1170	BRONZE	1	1	2-7/8 (73.0)	1-3/4 (44.5)	7/8 (22.2)	4-15/16 (125.4)	1-1/32 (26.2)	2-7/16 (61.9)	1.5 (0.7)
3301	IRON	1-1/2	2	6 (152.4)	2-7/8 (73.0)	3-1/4 (82.6)	11 (279.4)	N/A	N/A	17 (7.7)
4100	IRON	2	2	6 (152.4)	2-7/8 (73.0)	3-1/4 (82.6)	11 (279.4)	N/A	N/A	17 (7.7)

*Actual unit model numbers include individual valve pressure settings as a suffix to the basic valve model number noted.

Do Not Use For Construction. Dimensions are approximate and subject to change. Contact factory for certified dimensions.

TYPICAL SPECIFICATIONS

Furnish and install as shown on plans a diaphragm operated Safety Relief Valve, ASME labeled for relieving pressure of psig _____ with a rating of _____ BTU/Hr. The fluid should not discharge into the spring chamber. The valve should have a low blow-down differential.

The valve seat and all moving parts exposed to the fluid are to be of non-ferrous material.

Manufacturer ITT Bell & Gossett Model No. _____ ASME Safety Relief Valve set at _____ psig, rated at _____ BTU/Hr.

SAFETY RELIEF VALVES - ASME (Valves and Fittings)

A-434D

SCHEDULE

MODEL NUMBER	PART NUMBER	SIZE TAPPINGS	RELIEF SETTING PSIG	CAPACITY BTU/HR	TAGGING INFORMATION	QUANTITY
790-15	110120	3/4" NPT	15	515,000		
790-20	110750	3/4" NPT	20	610,000		
790-25	110751	3/4" NPT	25	700,000		
790-30	110121	3/4" NPT	30	790,000		
790-36	110122	3/4" NPT	36	900,000		
790-40	110752	3/4" NPT	40	975,000		
790-45	110123	3/4" NPT	45	1,065,000		
790-50	110124	3/4" NPT	50	1,160,000		
790-55	110753	3/4" NPT	55	1,250,000		
790-60	110754	3/4" NPT	60	1,340,000		
790-65	110755	3/4" NPT	65	1,435,000		
790-70	110756	3/4" NPT	70	1,525,000		
790-75	110125	3/4" NPT	75	1,615,000		
790-80	110757	3/4" NPT	80	1,710,000		
790-85	110758	3/4" NPT	85	1,800,000		
790-90	110759	3/4" NPT	90	1,890,000		
790-95	110760	3/4" NPT	95	1,985,000		
790-100	110126	3/4" NPT	100	2,075,000		
790-105	110761	3/4" NPT	105	2,165,000		
790-110	110762	3/4" NPT	110	2,260,000		
790-115	110763	3/4" NPT	115	2,350,000		
790-120	110764	3/4" NPT	120	2,440,000		
790-125	110127	3/4" NPT	125	2,535,000		
1170-20	110765	1" NPT	20	900,000		
1170-25	110766	1" NPT	25	1,035,000		
1170-30	110129	1" NPT	30	1,170,000		
1170-36	110130	1" NPT	36	1,330,000		
1170-40	110767	1" NPT	40	1,440,000		
1170-45	110131	1" NPT	45	1,575,000		
1170-50	110132	1" NPT	50	1,710,000		
1170-55	110768	1" NPT	55	1,845,000		
1170-60	110769	1" NPT	60	1,980,000		
1170-65	110770	1" NPT	65	2,115,000		
1170-70	110771	1" NPT	70	2,250,000		
1170-75	110133	1" NPT	75	2,385,000		
1170-80	110772	1" NPT	80	2,520,000		
1170-85	110773	1" NPT	85	2,655,000		
1170-90	110774	1" NPT	90	2,790,000		
1170-95	110775	1" NPT	95	2,925,000		
1170-100	110134	1" NPT	100	3,060,000		
1170-105	110776	1" NPT	105	3,195,000		
1170-110	110777	1" NPT	110	3,330,000		
1170-115	110778	1" NPT	115	3,465,000		
1170-120	110779	1" NPT	120	3,600,000		
1170-125	110135	1" NPT	125	3,735,000		
3301-30	110033	1-1/2" x 2"	30	3,300,000		
3301-36	110080	1-1/2" x 2"	36	3,800,000		
3301-45	110081	1-1/2" x 2"	45	4,500,000		
3301-50	110082	1-1/2" x 2"	50	4,900,000		
4100-30	110034	2"	30	4,100,000		
4100-36	110084	2"	36	4,600,000		
4100-45	110085	2"	45	5,515,000		
4100-50	110086	2"	50	5,990,000		



Bell & Gossett

Bell & Gossett
 8200 N. Austin Avenue, Morton Grove, IL 60053
 Phone (847)966-3700
 Facsimile (847)966-9052
 www.bellgossett.com

