

BRAY COMMERCIAL
PRODUCT PROFILE





INTRODUCTION

At Bray International, Inc., our business is helping our customers with their flow control requirements. Our product line of butterfly valves, actuators and accessories offers the best compatibility, economy and quality performance in the flow control industry.

Through years of field application experience, research and development Bray has designed products that meet the stringent requirements of today's flow control industry. We have earned a reputation for excellence by creating products of superior value and quality, providing personalized customer service and emphasizing on-time deliveries. Our success has always been the direct result of our fully integrated range of valve, actuator and control products. Rugged and reliable, our products are engineered to provide years of trouble free service.

Bray manufacturing facilities are certified to ISO 9001 quality standards, assuring product quality, precision manufacturing and internal process integrity.

Bray is committed to customer support. Our extensively trained staff is knowledgeable of all Bray products and their applications and can provide personal attention to every customer. To serve you locally Bray maintains a factory certified sales and service network, for all Bray products, throughout the world.

COMMITMENT TO QUALITY

Bray International recognizes that our customers make us successful and they have a choice of many manufacturers when selecting valves, actuators and accessories for their applications. Since many manufacturers have access to the same materials of construction for these products, Bray believes that a customer's purchase decision is heavily influenced by the following key factors:

- Trust in the manufacturer
- Confidence in the quality assurance and integrity of the manufacturer
- Proven industry experience
- Features and benefits of the product
- Cost of ownership
- Customer service
- Delivery

"Bray is focused on and committed to meeting the expectations and needs of our customers while continually improving the effectiveness of our quality management."

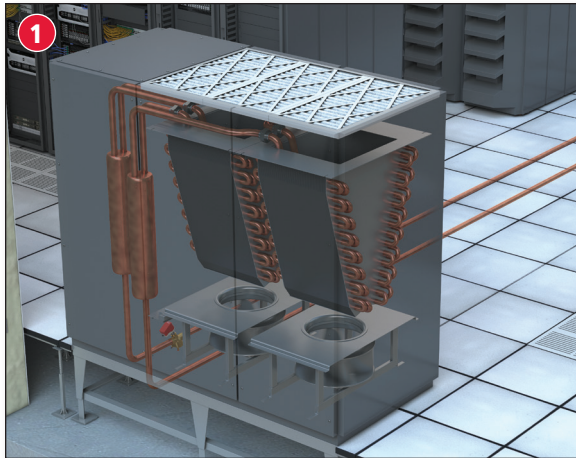
Bray COMMERCIAL

Bray Commercial provides automated butterfly valves, ball valves and pressure independent valves to the commercial building HVAC market throughout the world. Wherever valve performance is required to maintain climate controlled environments, Bray can provide the required automated valves to meet the demanding flow applications of chiller/boiler isolation, air handlers and terminal units for new construction, retrofit and/or LEED certification applications in buildings such as:

- Hospitals
- Schools and Universities
- Data Centers
- Government and Municipal Buildings
- Commercial Offices
- Airports
- Hotels
- Sports/Entertainment and Convention Centers

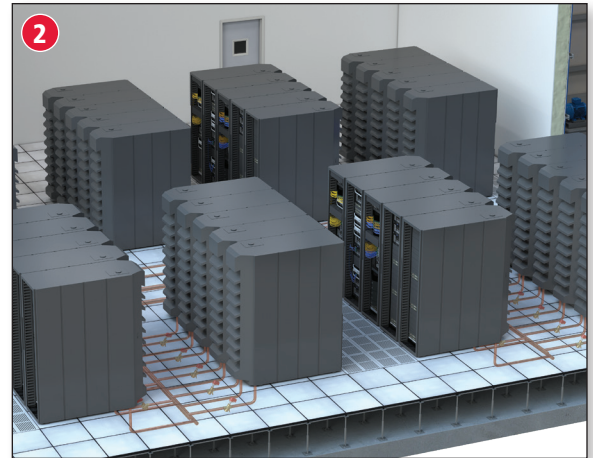
In addition to producing valves of unsurpassed quality, our core competency is servicing our BAS partners, OEM's and contractors to ensure you receive the most effective and economical valve solution package. Bray's extensively trained staff is knowledgeable in all aspects of Bray's products and their applications. To provide personal attention to every customer, each region maintains a factory certified sales and service network for all Bray products.

Computer Room Air Handling Units



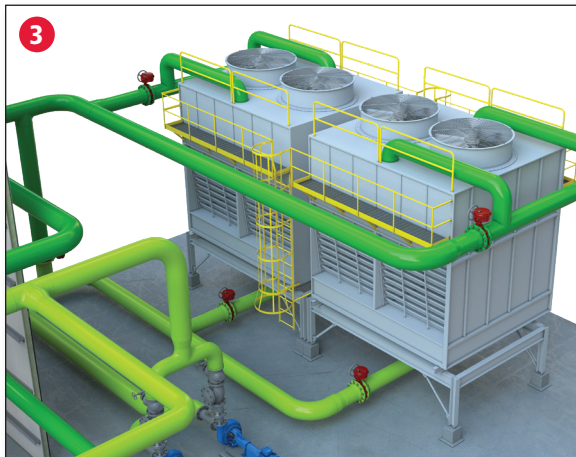
- Simple Set Pressure Independent Control Valves
- ST2 and STM Ball Valves

On-Rack Server Cooling



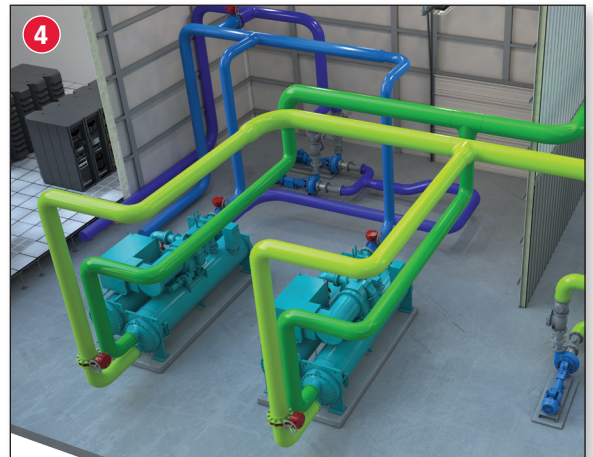
- Simple Set Pressure Independent Control Valves
- ST2 and STM Ball Valves

Cooling Towers



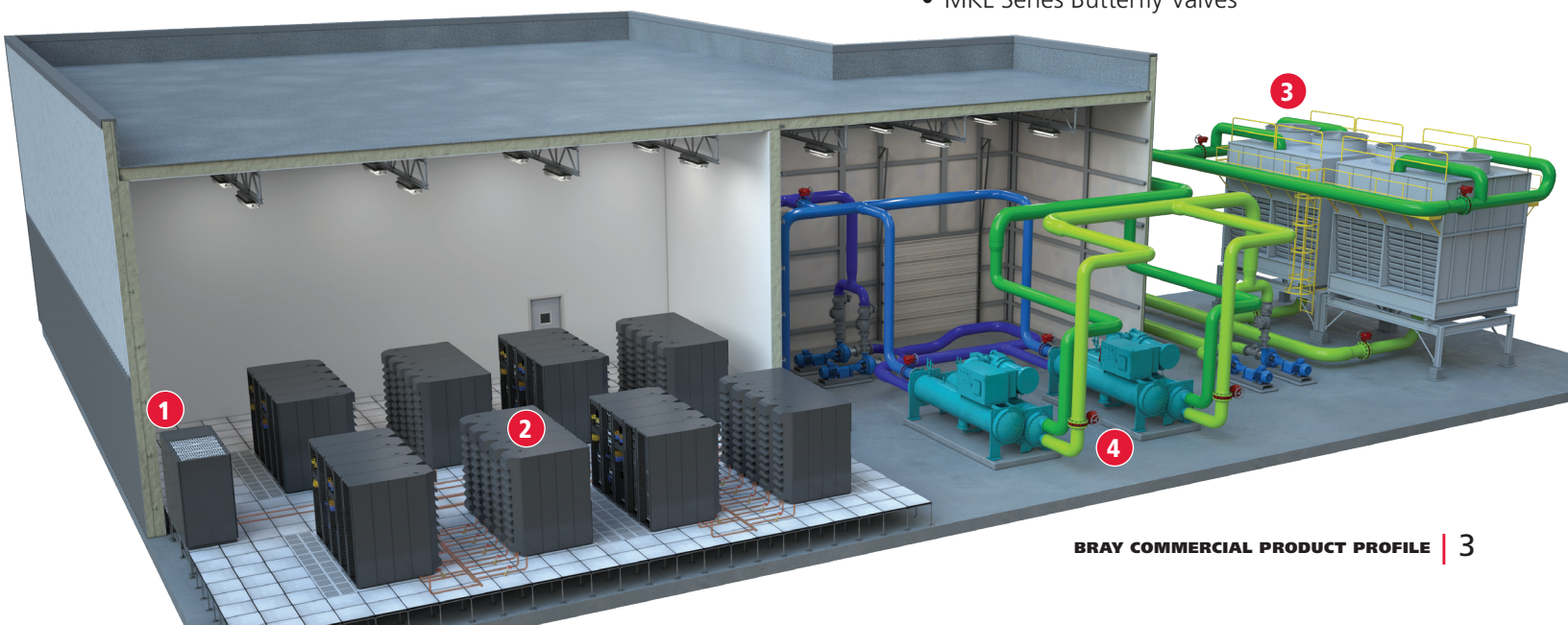
- NYL Series Butterfly Valves
- MKL Series Butterfly Valves

Chillers



Isolation, Thermostatic Expansion Valves, Hot Gas Bypass, Free Cooling Control

- NYL Series Butterfly Valves
- MKL Series Butterfly Valves

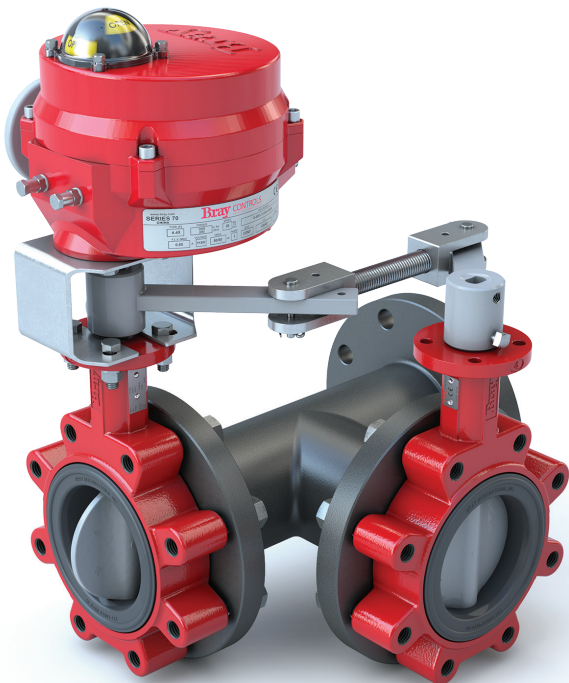


RESILIENT SEATED

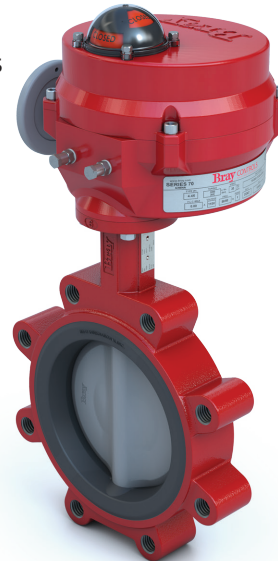
NY & 3L Series Butterfly Valves

Bray's NY Series resilient seated butterfly valves have emerged as the design standard in the commercial building market worldwide. Our new 3L series is optimized for low torque and added reliability. Both are available with a wide range of electric and pneumatic actuators and accessories to satisfy any application.

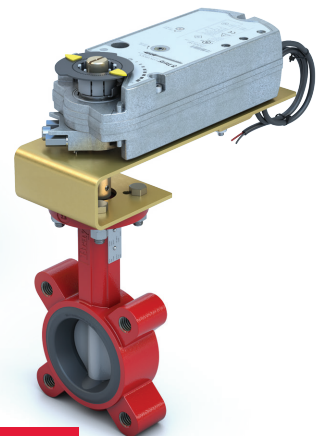
- Low Torque
- High Cycle Life
- ANSI and DIN
- High and Low ΔP Ratings



NY Series



3L Series



3L & NYL SERIES BUTTERFLY VALVES

	3L Series	NY Series
Size Range	2" – 24" (50mm – 600mm)	2" – 30" (50mm – 750mm)
Configurations	2-Way and 3-Way	
End Connections	Lug for ANSI 125 and ANSI 150 Flanges	
Fluid Temperature Range	-20 to 250°F (-28 to 121°C)	
Maximum Close-off Pressure	175 psi (12 bar)	
Flow Characteristic	Modified Equal Percentage	
Body Material	A536 Gr. 65-45-12 Ductile Iron	Cast Iron
Disc Materials	3LNE Series – Ductile Iron, Nylon 11 Coated 3LSE Series – 316 Stainless Steel	NY Series – Ductile Iron, Nylon 11 Coated AB Series – Aluminum Bronze
Available Actuators	On/Off, Floating, Modulating, Spring & Non-Spring Return Commercial and Industrial Electric and Pneumatic	
Applications	HVAC- Chillers, Cooling Towers, Boilers, Heat Exchangers	



HIGH PERFORMANCE

MK Series Butterfly Valves

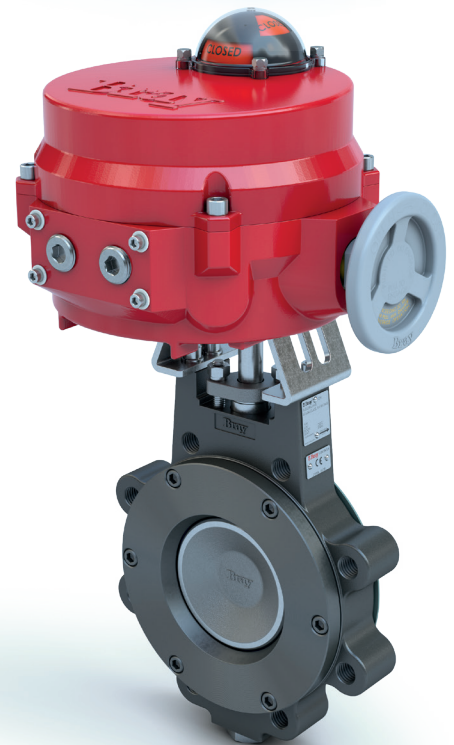
Ideal for high pressure, high temperature and high cycle mission critical HVAC applications. The Bray MK Series innovative double offset design results in higher close-off and lower torque. Bidirectional, Class VI shut off, in both low pressure and maximum ANSI Class ratings.

- Superior Cycle Life
- Ideal for high pressure steam and hot water
- ANSI and DIN



MK SERIES BUTTERFLY VALVES

Size Range	2 1/2" – 20" (65mm – 500mm)
Configurations	2-Way and 3-Way
End Connections	Lug, 2-way for ANSI 150 and ANSI 300 Flanges; 3-way for ANSI 150 flanges only
Fluid Temperature Range	-40 to 500°F (-40 to 250°C)
Maximum Close-off Pressure	ANSI 150: 285 psi (20 bar) ANSI 300: 740 psi (50 bar)
Flow Characteristic	Modified Equal Percentage
Body Material	Carbon Steel
Disc Material	316 Stainless Steel
Available Actuators	On/Off, Floating, Modulating, Spring and Non-Spring Return Commercial and Industrial Electric and Pneumatic
Applications	HVAC - Chillers, Cooling Towers Boilers, Heat Exchangers



PRESSURE INDEPENDENT CONTROL VALVES

Simple Set and Simple Set Max Series

The purpose of a Pressure Independent Control (PIC) valve is to maintain a set flow to the coil regardless of pressure changes in the system. Bray's complete line of PIC valves combine a control valve and dynamic balancing valve in a single cost effective housing. These valves eliminate overflow at less than design conditions to provide accurate control at all levels of demand.

The use of PIC valves eliminates the need for balancing valves and significantly reduces installation costs. Pumping, heating and cooling costs are also reduced minimizing overall operating costs. The valve will always use full stroke of the control element offering maximum controllability. Pressure/Temperature measurement ports are standard.

SIMPLE SET

Size Range	1/2" – 2" (15mm – 50mm)
End Connections	NPT Threaded
Fluid Temperature Range	32°F (0°C) to 248°F (120°C)
Maximum Close-off Pressure	58 psi (400 kPa)
Recommended Operating Pressure Drop	2.3 to 58 psid (36 to 400 kPa)
Flow Rates	0.33 to 65 GPM (329 to 14,740 L/H)
Body Materials	DZR Forged Brass
Available Actuators	Floating and Modulating with and without Failsafe
Applications	HVAC - Fan Coils, VAV Reheat Coils, Chilled Beams and Air Handling Units

SIMPLE SET MAX

Size Range	2 1/2" – 12" (65mm – 300mm)
End Connections	ANSI 125/150 or DIN
Fluid Temperature Range	32°F (0°C) to 248°F (120°C)
Maximum Close-off Pressure	116 psi (800 kPa)
Recommended Operating Pressure Drop	2.18 to 116 psid (15 to 800 kPa)
Flow Rates	19.3 to 2641 GPM (4.4 to 600 M ³ /h)
Body Material	Cast/Ductile Iron
Available Actuators	Floating and modulating with and without failsafe
Applications	HVAC - Air handling units, heat exchangers



FLANGED GLOBE VALVES



DG Series

The DG Series globe valves provide stable and accurate control of both water and steam in HVAC applications. These valves feature a cartridge style packing, which is easily replaceable while the valve is in line. Constant plug guiding and precision-machined metal to metal seating assures ANSI Class IV shut off (.01%) which provides low leakage and energy conservation.

DG SERIES GLOBE VALVES

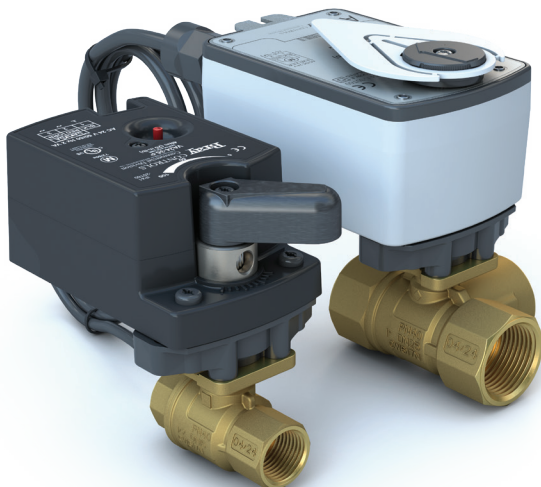
Size Range	2½" – 6" (65mm – 150mm)
Configurations	2-Way and 3-Way
End Connections	ANSI 125 Flanged
Fluid Temperature Range	-20 to 250°F (-29 to 121°C) @175 psi (1,206 kPa)
Flow Characteristics	2-Way with standard trim - Equal Percentage 3-Way and 2-Way with SS Trim - Linear
Body Materials	Cast Iron
Trim Materials	Bronze, Stainless Steel Optional
Available Actuators	On/Off, Floating, Modulating, Spring and Non-Spring Return
Applications	HVAC- Water/Steam- Air Handling Units, Heat Exchanger Control, Terminal Units

CHARACTERIZED BALL VALVES

Soft Touch 2 Series

The Soft Touch 2 (ST2) series of characterized ball valves from Bray provide accurate and cost effective control of a wide range of equipment in HVAC applications. The Amodel® flow characterizing disk maintains equal percentage flow characteristics for optimum temperature control. A less expensive, longer lasting and better performing alternative to globe valves.

- Low Torque
- Direct Mount Actuators
- Multiple Cv ratings in each size
- High Rangeability



ST2 SERIES BALL VALVES

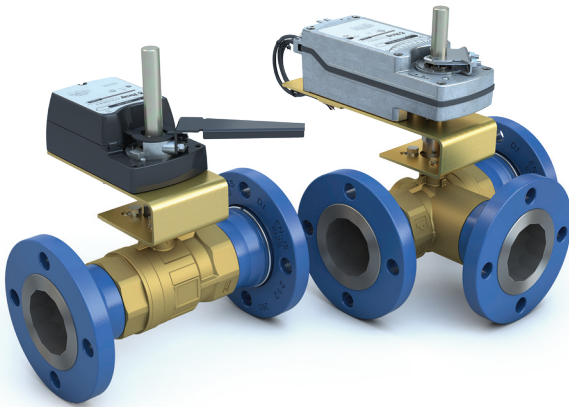
Size Range	½" – 2" (15mm – 50mm)	
Configurations	2-Way and 3-Way	
End Connections	NPT or BSP Threaded	
Fluid Temperature Range	Water	-22 to 203°F (-30 to 95°C)
	Water	-22 to 284°F (-30 to 140°C) with High Temperature Mounting
	Steam	15 psig (103 kPa) at 248°F (140°C) with High Temperature Mounting
Maximum Close-off Pressure	200 psi (13.8 bar)	
Maximum Recommended Operating Pressure Drop	50 psi Maximum Differential 30 psi for Quiet Service	
Body Materials	Forged Brass	
Trim Materials	300 Series Stainless Steel	
Available Actuators	On/Off, Floating, Modulating, Spring and Non-Spring Return, etc.	
Applications	HVAC- Air Handling Units, Heat Exchanger Control, Terminal Units	

CHARACTERIZED FLANGED BALL VALVES

STM Series

The STM Series flanged ball valves are designed to regulate the flow of hot water, chilled water and 50% glycol solutions to the demand of a controller in HVAC systems. Its unique free spinning lap flange allows easy positioning and alignment with mating flanges.

The STM has a stainless steel ball and stem making it dimensionally stable at high temperatures so it works in low pressure steam applications. The low torque design allows for smaller actuators. Multiple Cv's in each size.



STM SERIES FLANGED BALL VALVES

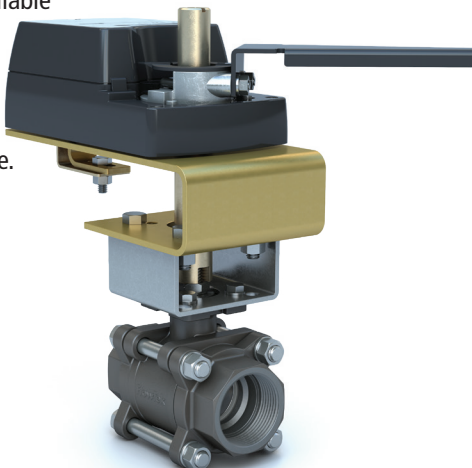
Size Range	2½" – 4" (65mm – 100mm)	
Configurations	2-Way and 3-Way	
End Connections	ANSI 125/150 Flange	
Fluid Temperature Range	Water	0 to 284°F (-18 to 140°C)
	Steam	25 psig (172 kPa)
Maximum Close-off Pressure	2-Way: 100 psi (6.9 bar)	
	3-Way: 50 psi (3.5 bar)	
Maximum Recommended Operating Pressure Drop	30 psi for Quiet Service	
Body Material	Forged Brass	
Trim Material	300 Series Stainless Steel	
Available Actuators	On/Off, Floating, Modulating, Spring and Non-Spring Return	
Applications	HVAC- Air Handling Units and Heat Exchanger Control	

INDUSTRIAL THREADED BALL VALVES

BV Series

The BV Series Threaded Industrial Ball Valve product line is ideally suited to high temperature and high pressure water or steam as well as a wide range of heavy commercial HVAC control applications. These valves provide exceptional characterized control, high rangeability, flow capacity and pressure drop; all with bidirectional bubble tight shut off.

These valves are available with characterized V-Balls and full port versions that provide multiple Cv values in each size.



BV SERIES THREADED BALL VALVES

Size Range	½" – 4" (15mm – 100mm)	
Configurations	2-Way	
End Connections	Threaded NPT	
Fluid Temperature Limits	Water	-20 to 500°F at 300 psi (-28 to 260°C at 2,068 kPa)
	Steam	100 psi (689 kPa)
Close-off Pressure	Water	300 psi (2,068 kPa)
	Steam	100 psi (689 kPa)
Flow Characteristic	V15 Port	Linear
	V30 Port	Modified Equal Percentage
	V60 & 90 Port	Equal Percentage
Body Materials	Carbon or Stainless Steel	
Ball and Stem Material	316 Stainless Steel	
Available Actuators	On/Off, Floating, Modulating, Spring & Non-Spring Return Commercial and Industrial Electric and Pneumatic	
Applications	HVAC- High Rise Towers, Boilers and Heat Exchangers	

INDUSTRIAL FLANGED SEGMENTED BALL VALVES

BVMS Series

The BVMS Series Industrial Ball valves are flanged, segmented valves designed for control and on/off applications where high temperature and high pressure water or steam are used. The valves feature a characterized ball segment for high rangeability with a splined stem connection for precise control, as well as a low friction shaft and thrust bearings for longer life and smaller actuators.

These valves provide ample flow capacity, equal percentage flow characteristics and Class VI leakage. Valve bodies are one-piece carbon steel with cast stainless steel balls and ANSI 150 flanges.



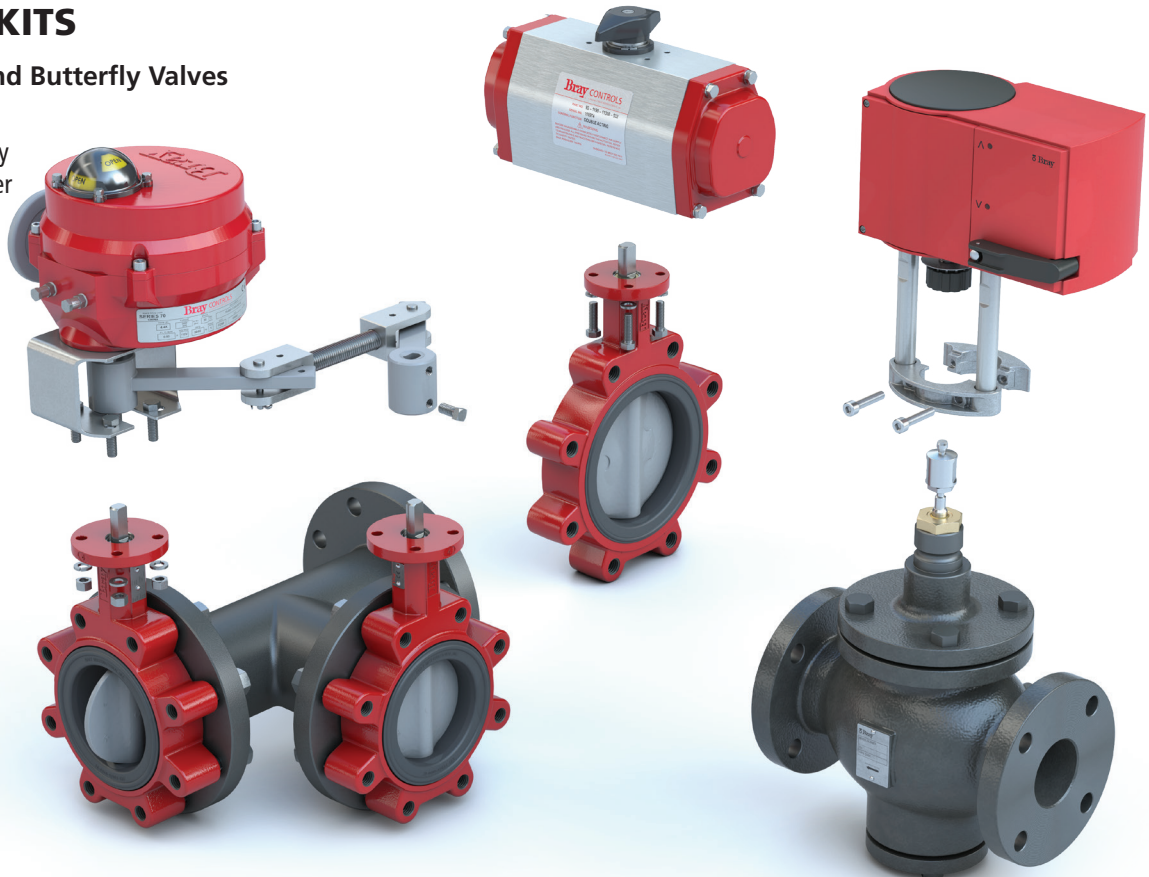
BVMS SERIES FLANGED BALL VALVES

Size Range	2" – 12" (50mm – 300mm)	
Configurations	2-Way	
End Connections	ANSI Class 150	
Fluid Temperature Limits	Water	-20 to 380°F at 200 psi (-28 to 193°C at 1,378 kPa)
	Steam	100 psi (689 kPa)
Close-off Pressure	Water	285 psi (1,965 kPa)
	Steam	100 psi (689 kPa)
Flow Characteristic	Equal Percentage	
Body Materials	Carbon or Stainless Steel	
Ball and Stem Material	316 Stainless Steel	
Available Actuators	On/Off and Modulating NEMA 4 Industrial Electric	
Applications	HVAC- Computer Room Air Handling Units, Boilers and Heat Exchangers	

RETROFIT KITS

Globe Valves and Butterfly Valves

Bray has a retrofit solution for virtually any linear or quarter turn valve.



ELECTRIC ACTUATORS

SERIES 70

Bray's Series 70 electric actuator's compact design offers by far the easiest access to terminal block wiring, end switch adjustments and servo calibrations in the industry. Bray's Series 70 electric actuator has many advantages over other actuators including:

- Voltages: 120, 220, 24VAC 50/60 Hz, 1-phase, 24VDC
- Output torque 800 lb-in (90 N-m) to 18,000 lb-in (2,034 N-m)
- UL, CSA and CE certification on most units
- Low profile, light weight
- High visibility position indicator
- Manual declutchable override handwheel
- On-off or modulating control
- Terminal strip for cable terminations
- Hand or screw driver adjustment of travel limit cams
- ISO 5211 for direct mounting
- Optional hazardous location model available
- Optional Battery Back-up module available

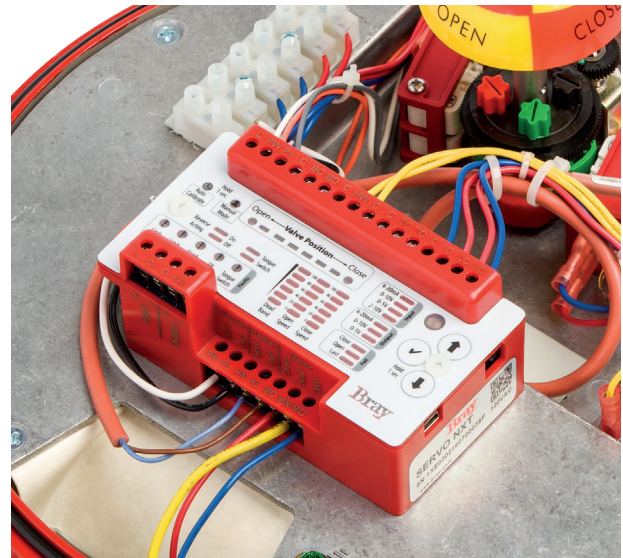


Torque	800 to 18,000 lb-ins (90 to 2,034 N-m)
Voltage	VAC: 24, 120, 240, 24VDC
Operating Mode	On/Off, Modulating
Enclosure	NEMA 4

SERVO NXT

Servo is available for modulating service, continuous duty S70 actuators only.

Actuator Voltage	120, 220, 24 VAC 50/60 Hz, 1 phase 24 VDC
Input Signal	Configurable 4-20 mA, 0-10, 2-10, 0-5 VDC
Feedback Signal	Configurable 4-20 mA, 0-10, 0-5 VDC
Independent Isolation	Control signal input and output Control signals and power
Display	Menu driven auto dimming LED
Menu Navigation	Up/Down arrows with select (✓) buttons
Configuration	Menu selectable to non-volatile memory
Calibration	Auto calibration sequence for travel limits
Deadband	Configurable 1% - 6%
Reverse Acting	Configurable for inverted input signal
Speed Control	Independently adjustable for open and closed
Fail Position (loss of input signal)	Configurable close, open, last
Manual Mode	Built-in signal generator
Fault Indications	Loss of command signal Limit switch Handwheel engaged Feedback pot Torque switch Jammed valve / motor stalled
Health Monitor	Heartbeat - Backlit blinking Bray logo



The Servo NXT offers precise modulating service for accurate position control.

- One touch automatic calibration
- User-friendly interface
- Advanced control of proportional band and deadband
- Automatic pulsing mode for precise positioning
- Self diagnostics
- Action on loss of command signal
- Go to position commands

"Configurable" means the customer, or the factory, can modify the Servo NXT.

COMMERCIAL ACTUATORS

Bray's wide variety of commercial electric actuator choices increases flexibility when choosing peripheral products for Building Automation Systems. We offer many different torque outputs and optional features to ensure you have the best actuator for the application. Jumper or DIP switch selectable features allow versatility in the field. In addition, our actuators are manufactured to ISO 9001 and Six Sigma Standards making them the highest quality on the market today.



GA(S) SERIES

PIC AND GLOBE VALVE ACTUATORS

The GA(S) Series is a direct mount line of linear motor actuators to be used primarily on PIC & globe valves. The patented drive-valve coupling allows the drive to be connected to the valve automatically as soon as the power is applied to the actuator. An external crank handle enables the desired position to be set manually as well. Microprocessor technology enables the actuator to identify the functions required and to adapt itself automatically to the control valve properties.

These actuators operate on 24V AC or DC, and all input signals- 0-10V or 4-20mA modulating output, or on/off (2-point) or floating (3-point) control, direct or reverse acting. The actuator automatically detects the control signal applied via a 2 LED display.



PA(M) SERIES

PRESSURE INDEPENDENT CONTROL VALVE ACTUATORS

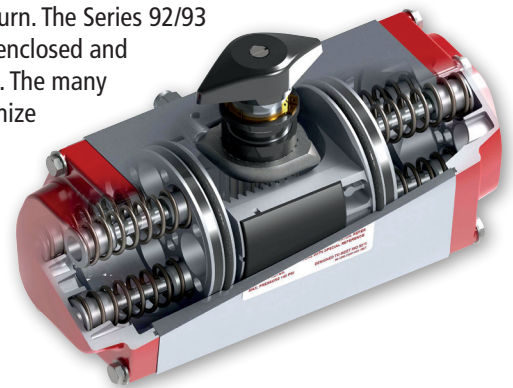
The PA(M) series is a line of linear motor actuators to be used primarily on Bray PIC valves utilized in building automation systems. These actuators are available with a multitude of options for on/off/floating or modulating with or without electronic fail safe. These actuators automatically calibrate to the stroke of the valve as soon as power is applied and are field selectable direct or reverse acting. These actuators operate on 24V AC or DC, and all input signals- 0-10V or 4-20mA modulating output, or on/off (2-point) or floating (3-point) control.



PNEUMATIC ACTUATORS

SERIES 92/93

Bray Series 92/93 actuators are rack and pinion, opposed-piston actuators available in two versions: double acting and spring return. The Series 92/93 is completely enclosed and self-contained. The many features minimize maintenance and provide safe, simple disassembly and assembly.



Torque	Up to 44,130 lb-in (4,986 N-m)
Pressure Rating	Max Pressure: 140 psig (10 bar)
Temperature Range	-20°F to 200°F (-29°C to 95°C)

Bray COMMERCIAL

Bray Commercial provides automated Butterfly, Ball, Globe and Pressure Independent Control Valves to the commercial building HVAC market throughout the world. Wherever valve performance is required to maintain climate controlled environments, Bray can provide the required automated valves to meet the demanding flow applications of chiller/boiler isolation, air handlers and terminal units for new construction, retrofit and/or LEED certification applications in buildings.

Building Types

- Healthcare
- Data Centers
- Government and Municipal
- Sports/Entertainment/Convention Centers
- K-12 and University Education
- Transportation
- Hotels
- Office Buildings
- Retail

SINCE 1986, BRAY HAS PROVIDED FLOW CONTROL SOLUTIONS FOR A VARIETY OF INDUSTRIES AROUND THE WORLD.

VISIT BRAYCOMMERCIALDIVISION.COM TO LEARN MORE ABOUT BRAY PRODUCTS AND LOCATIONS NEAR YOU.

CORPORATE HEADQUARTERS

Bray International, Inc.

13333 Westland East Blvd.

Houston, Texas 77041

1-281-894-5454



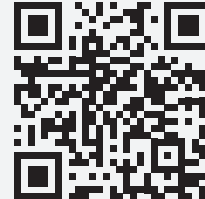
DIVISION HEADQUARTERS

Bray Commercial

13788 West Road, Suite 200A

Houston, Texas 77041

1-888-412-Bray (2729)



All statements, technical information, and recommendations in this bulletin are for general use only. Consult Bray representatives or factory for the specific requirements and material selection for your intended application. The right to change or modify product design or product without prior notice is reserved. Patents issued and applied for worldwide. Bray® is a registered trademark of Bray International, Inc.