



## DC(M)S-62 Series — Installation Instructions

06/30/22

**Description** The DC(M)S-62 direct-coupled spring return electronic actuator is designed for modulating, two-position, and three-position control of building HVAC dampers.

- Features**
- Brushless DC motor technology with stall protection
  - Bi-directional fail-safe spring return
  - Models available with dual, independently adjustable auxiliary switches
  - Unique self-centering shaft coupling
  - Manual override
  - Available in 62 lb-in torque
  - 5° preload as shipped from factory
  - Mechanical range adjustment capabilities
  - UL and cUL listed, CE certified

**Application** Used in constant or variable air volume installations for the control of return air, mixed air, exhaust, and face and bypass dampers requiring up to 62 lb-in (7 Nm) torque.

Designed for applications that require the damper to return to a fail-safe position when there is a power failure.

---

**Operation** **DCMS24-62 Modulating**  
Apply a continuous 0 to 10 Vdc control signal between wire 8 (Y) and wire 2 (G0) to operate the damper actuator. The angle of rotation is proportional to the control signal.  
A 0 to 10 Vdc position feedback output signal is available between wire 9 (U) and wire 2 (G0) to monitor the position of the damper motor.

In the event of a power failure or when the operating voltage is shut off, the actuator returns to the "0" position.

**DCS24-62 2-Position**

When power is applied, the actuator coupling moves toward the open position "90°". In the event of a power failure or when the operating voltage is shut off, the actuator returns to the "0" position.

**DCS24-62-T, 3-Position**

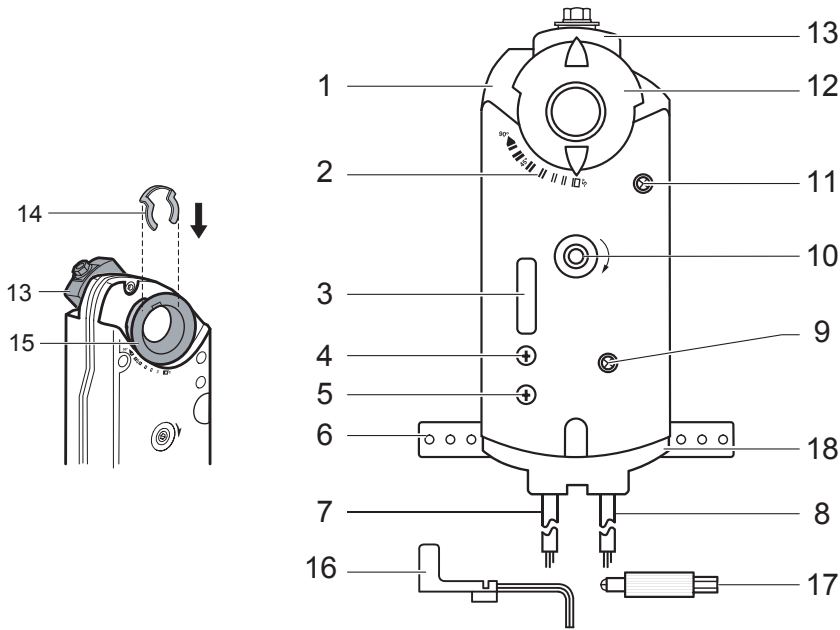
A floating control signal controls the damper actuator. The actuator's angle of rotation is proportional to the length of time the signal is applied. A 24 Vac/dc control signal to wire 6 (Y1) causes the actuator coupling to rotate clockwise. A 24 Vac/dc control signal to wire 7 (Y2) causes the actuator coupling to rotate counterclockwise.

With no control voltage, the damper actuator holds its position. In the event of a power failure, the actuator spring returns to the "0" position.

**Operation** In the event of a blockage in the damper, the actuator is overload protected over the full range to prevent damage to the actuator.

**Life Expectancy** An improperly tuned loop will cause excessive repositioning that will shorten the life of the actuator.

**Actuator Components**

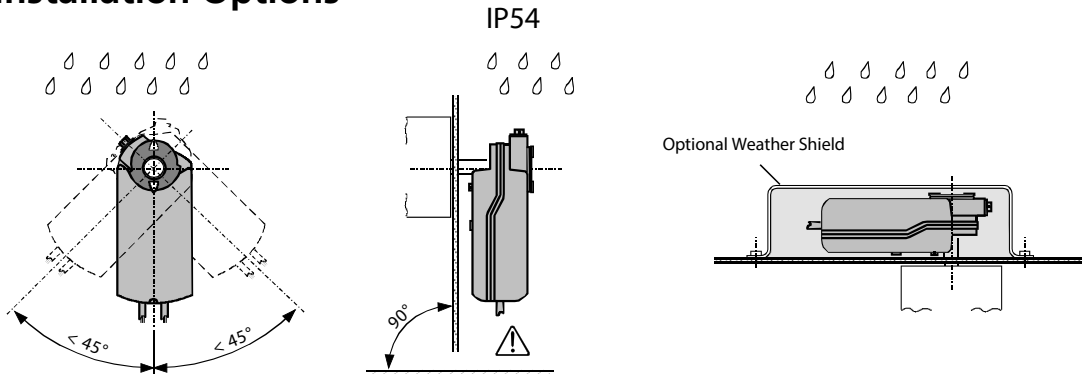


**Figure 1. Components of the DCS-62 Spring Return Actuator.**

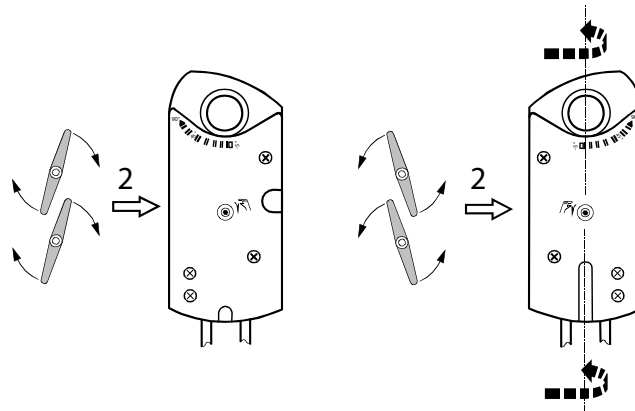
**Legend**

1. Actuator housing
2. Positioning scale for angle of rotation
3. DIP switches and cover
4. Span adjustment
5. Offset (start point) adjustment
6. Mounting bracket
7. Connection cable for power and control signals
8. Connection cable for auxiliary switches or feedback potentiometer
9. Gear train lock pin
10. Manual override wrench opening and direction of rotation arrow
11. Auxiliary switches A and B
12. Position indicator
13. Self-centering shaft adapter
14. Shaft adapter locking clip
15. Position indicator adapter
16. Key for manual adjustment
17. Adjustment tool for: auxiliary switches (11), offset/span (4 and 5), and lock pin (9)
18. 1/2-inch NPT conduit connections

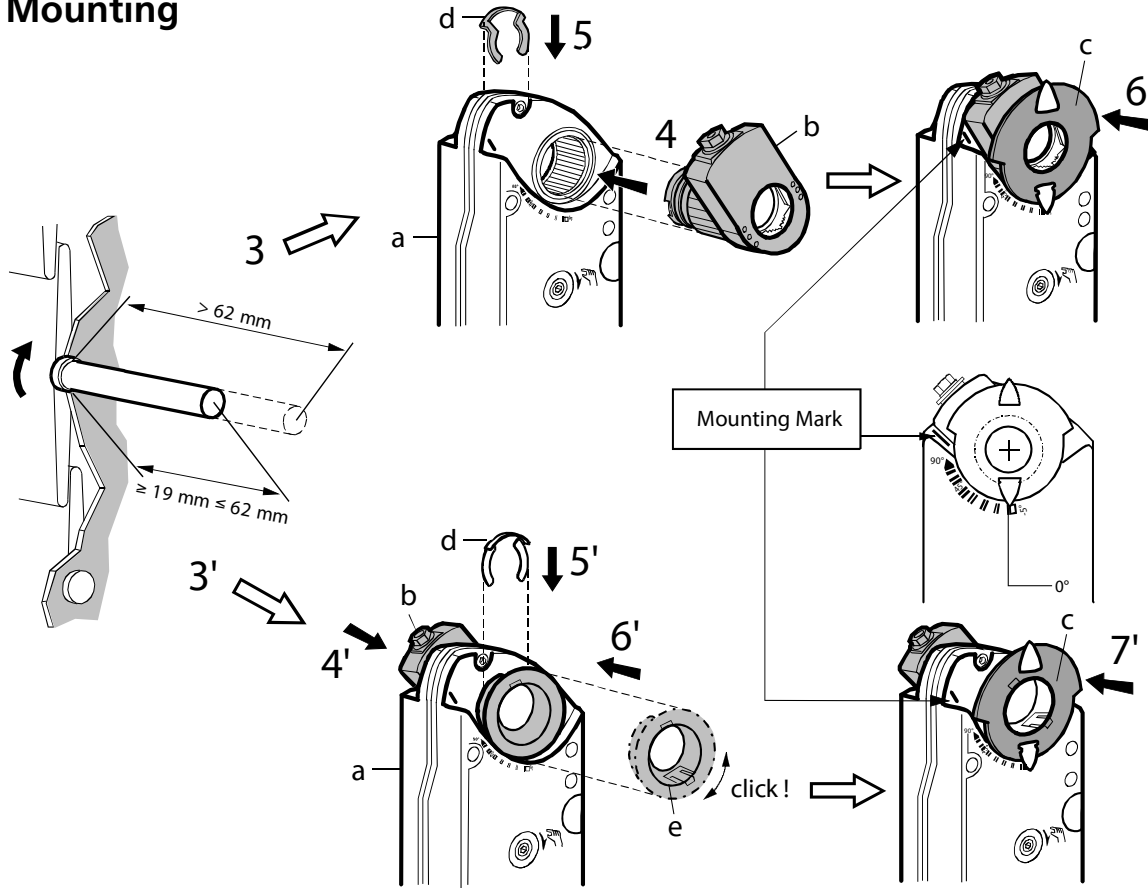
**Warnings/Installation Options**



**Adapter**



## Adaptor Mounting



## Mechanical Range Adjustment

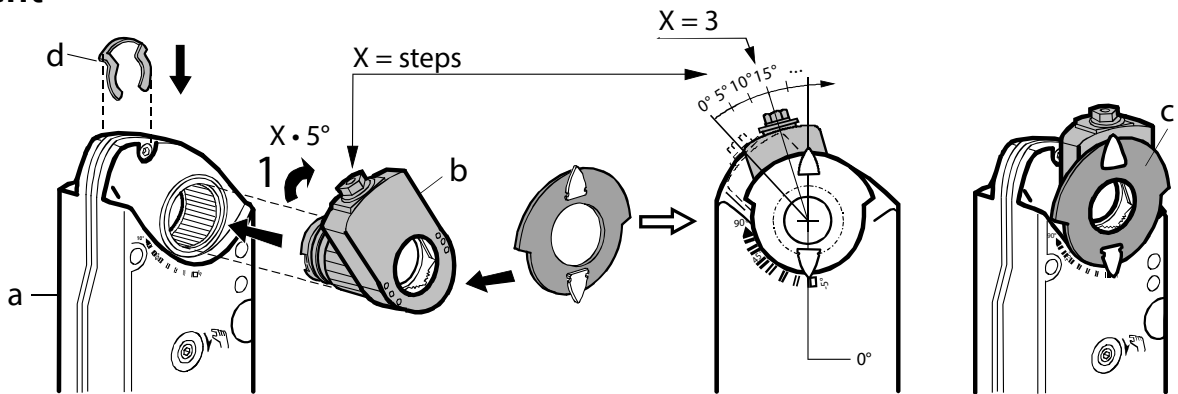


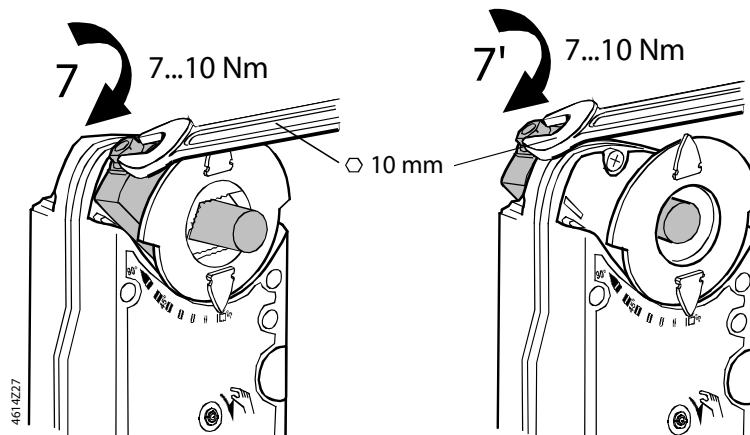
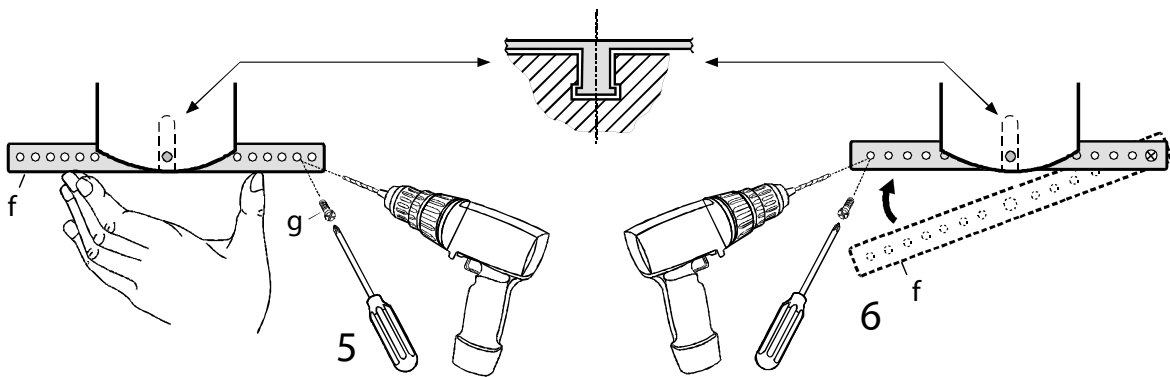
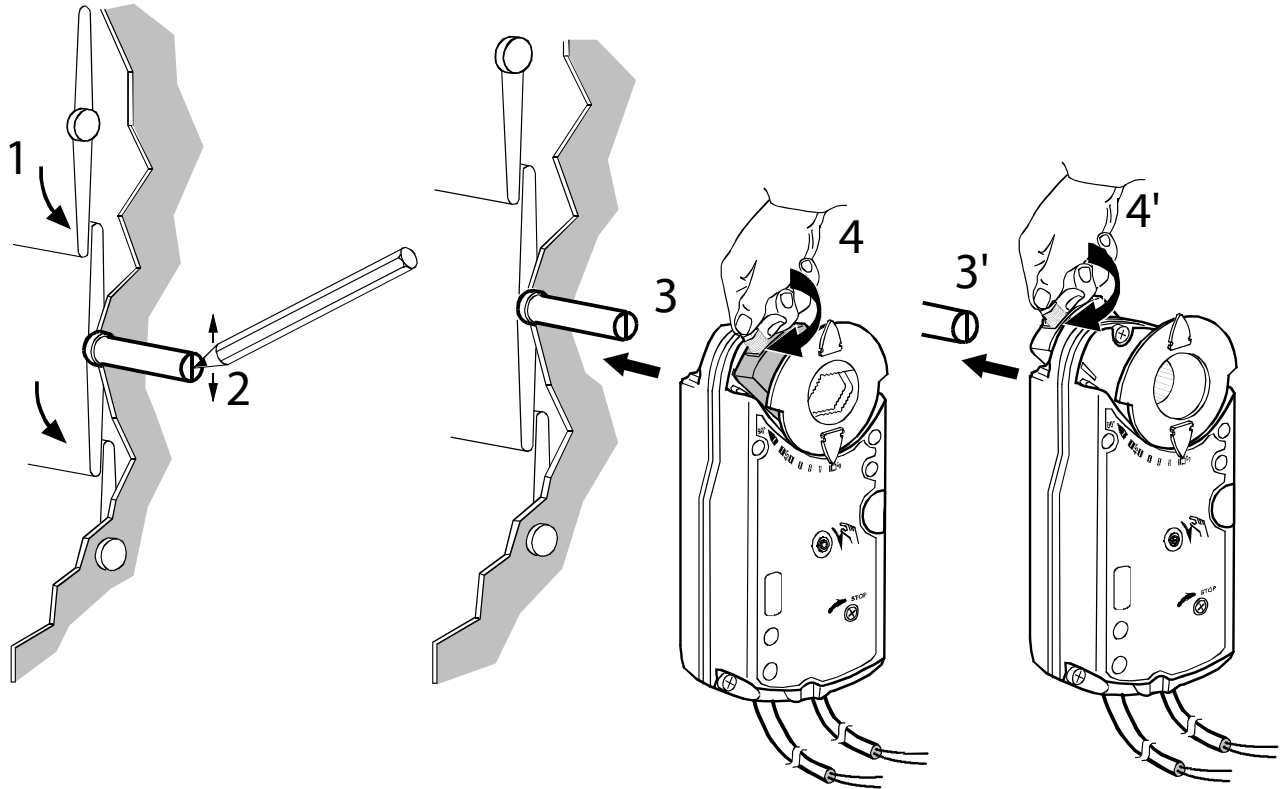
Figure 3. Mechanical Range Adjustment.

The angular rotation is adjustable between 0 and 90° at 5-degree intervals.

To limit the range of shaft movement:

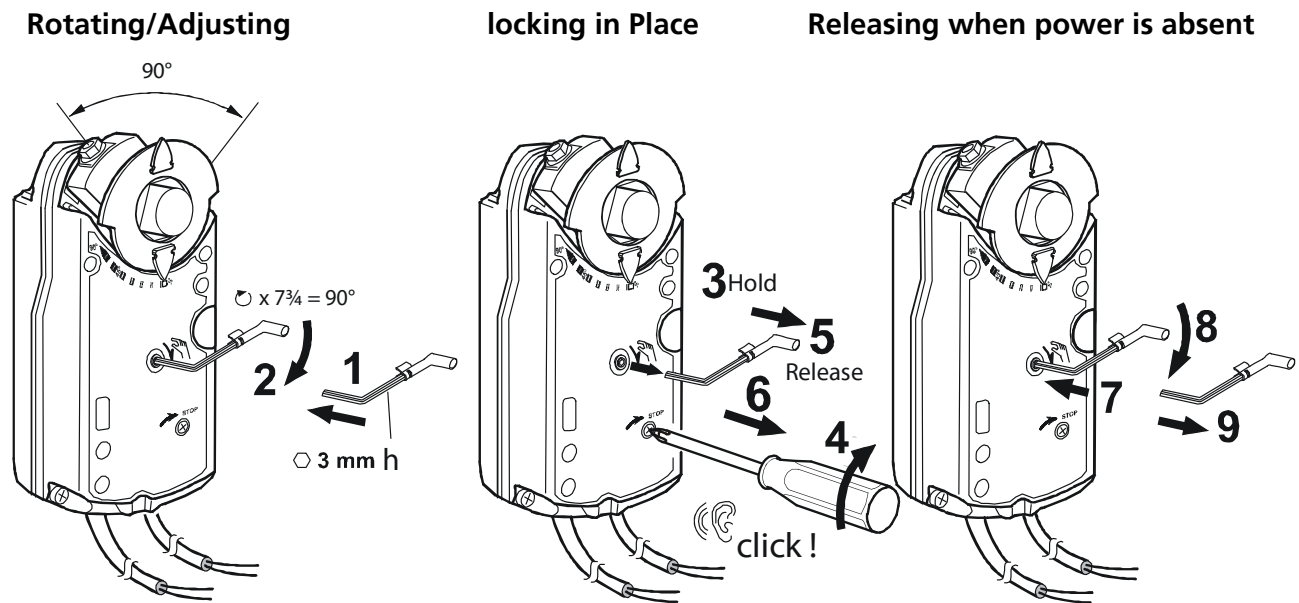
1. Remove the locking clip and self-adjusting shaft adapter.
2. Rotate the damper blade shaft to its failed position.
3. Rotate the shaft coupling to the desired position.
4. Insert the shaft adapter into the actuator and fasten it with the locking clip. See Figure 3.

Shaft Mounting



4614227

## Manual Override



**NOTE:** Always turn the key in the direction of the arrow.

**CAUTION:**



When engaging the gear train lock pin, carefully turn only about 5 degrees until you meet slight resistance. Turning too far will strip the lock pin.

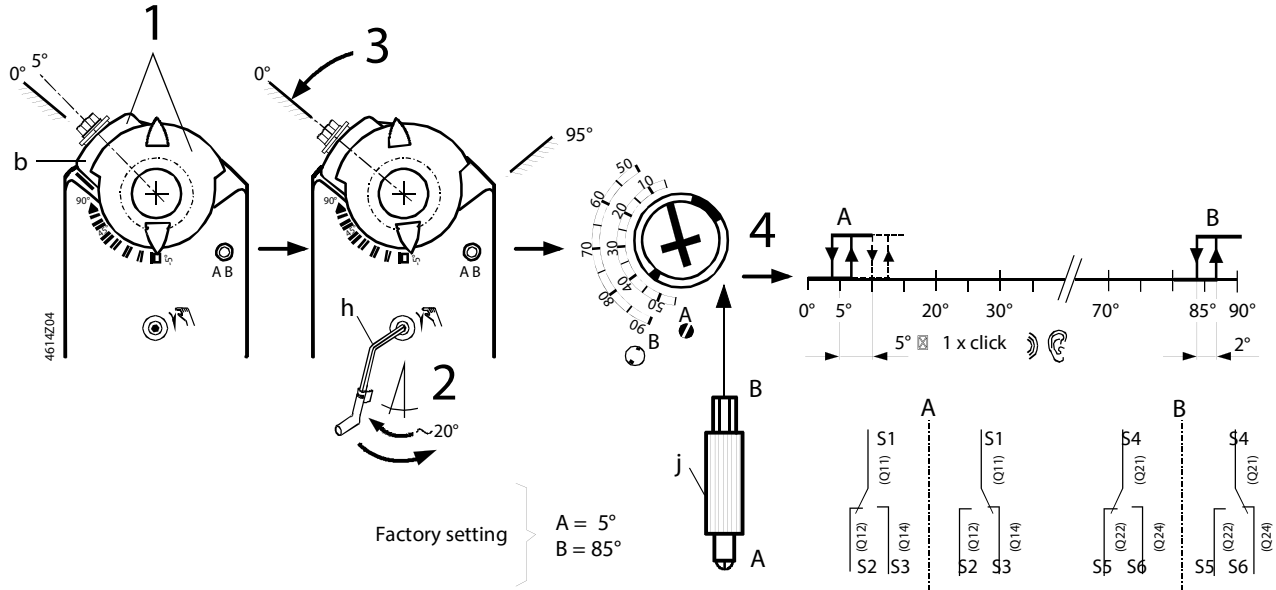
### To Release Manual Override

Do one of the following:

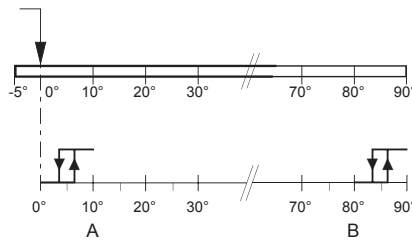
- Restore power and send a control signal.
- When power is absent, do the following:
  1. Insert the 3 mm hex key in the override opening.
  2. Turn the key in the direction of the arrow.
  3. Remove the key.

## Manual Override

### Setting: Auxiliary switches A, B



### Dual Auxiliary Switch

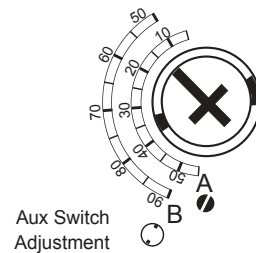


Actuator rotary range with the adapter mounted at position "0".

Setting range for switches A and B  
Setting interval: 5°  
Switching hysteresis: 2°

### To change the settings of A and B:

- Make sure the actuator is in the "0", fail safe position. The scale is valid only in the "0" position.
- Use the adjustment tool provided with the actuator to turn the switch adjustment dials to the desired setting at which a signal is to be given.



Factory setting  
Switch A = 5°  
Switch B = 85°

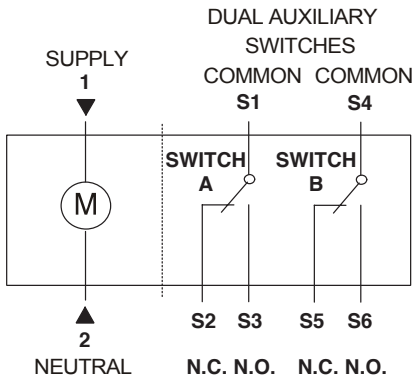
*NOTE: Use the long arm of the "T" to point to the position of switch A. Use the narrower tab on the red ring to point to the position of switch B*

**Figure 6. Adjustable Switching Values for the Dual Auxiliary Switches.**

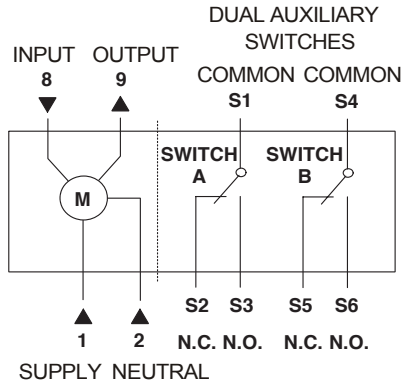
# DC(M)S-62 Series — Installation Instructions - Continued

## Wiring

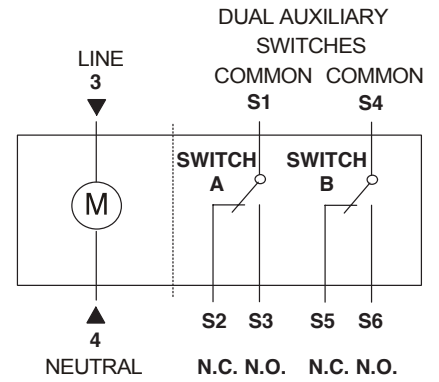
On/O with AUX Switches



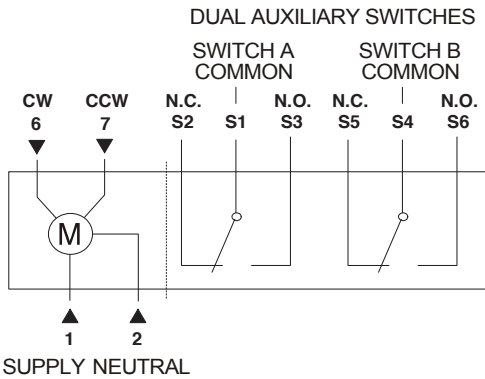
Modulating with AUX Switches



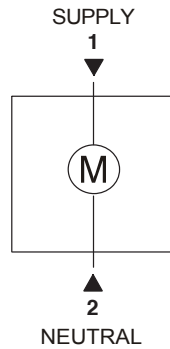
120 V On/O with AUX Switches



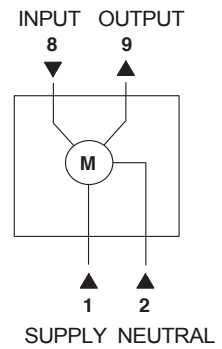
On/O & Floating with AUX Switches



On/O



Modulating



## Dimensions

