

# Self Powered AC Current Transducer

DIN RAIL / PANEL MOUNT, AVERAGE RMS

The **CR4210** and **CR4211** Series Current Transducers are self powered. These transducers are calibrated to provide a 0-5 VDC and 0-10 VDC signal that is proportional to the average RMS input AC current. Designed for multi-point current sensing, these devices provide excellent features in a value package.



**CR4210 CR4211**

Single Element - .79"  
Window 2 to 600 AAC  
Input Range



**CR4210S CR4211S**

Single Element - 1.22"  
Window 5 to 200 AAC  
Input Range

## Applications

- Multi-point current sensing and control panels
- Remote current sensing
- Monitor motor faults
- Monitor heating elements
- Monitor lighting elements

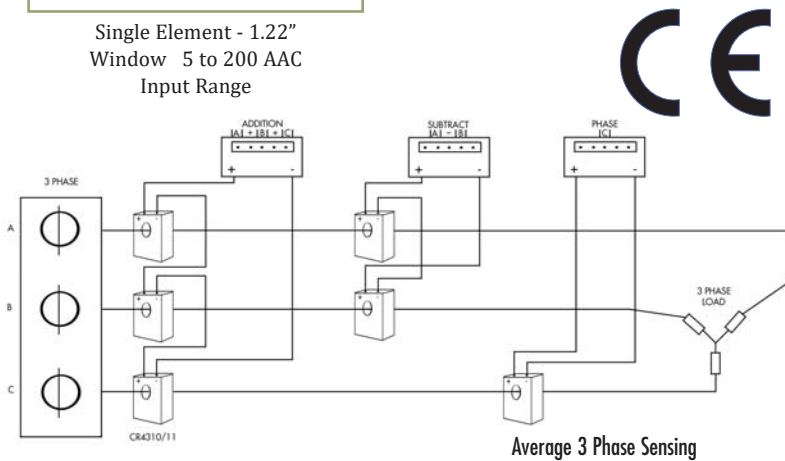
## Features

- 35mm DIN Rail or Panel Mount
- Available with 0 - 5 VDC or 0-10 VDC outputs
- Self powered, requires no external power source
- Use with external current transformers
- Low cost
- Connection diagram printed on case

## Regulatory Agencies

- Recognized to meet UL 61010B-1
- Constructed to meet CAN/CSA-C22.2, No. 61010-1-2004
- Meets requirement of IEC 61010-1 and BS EN 61010-1

Transducers



All single phase current transducers are available in split core design. Simply put an "S" at the end of the prefix\*

I.E. CR4210S-10  
\* Not UL Recognized

Add suffix for input range

- 2** - 0-2 AAC
- 5** - 0-5 AAC
- 10** - 0-10 AAC
- 20** - 0-20 AAC
- 50** - 0-50 AAC
- 70** - 0-70 AAC
- 100** - 0-100 AAC
- 150** - 0-150 AAC
- 200** - 0-200 AAC

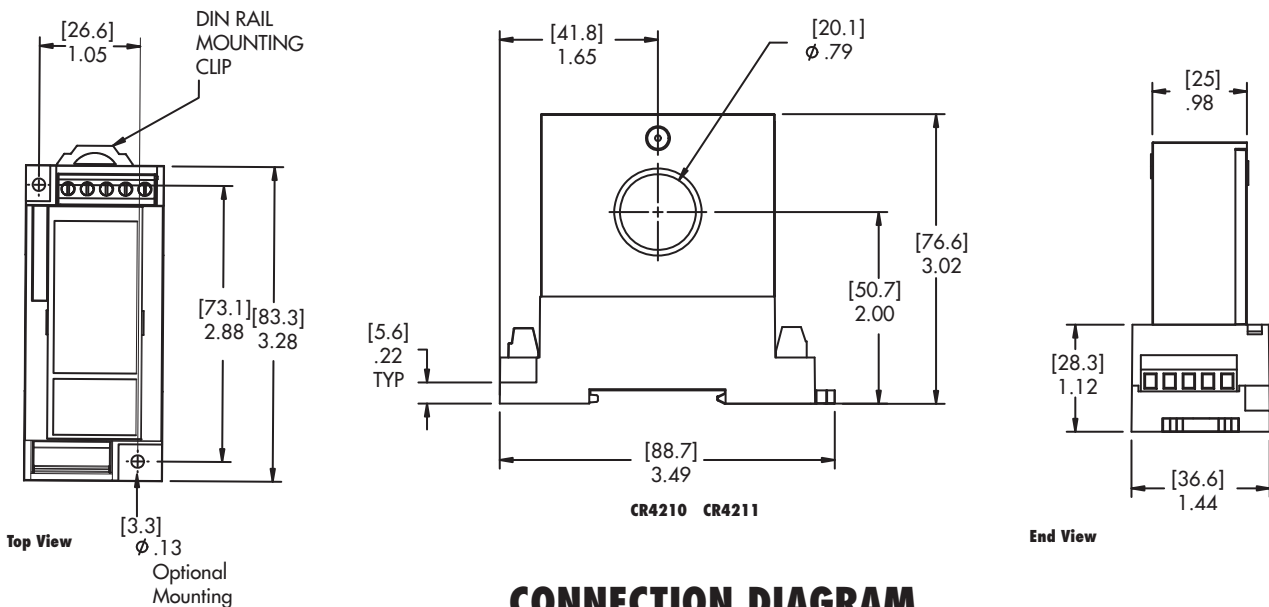
PART NUMBERS			
CR4210(S)	▪		Single element with 0 - 5 VDC output (split core design)
CR4211(S)	▪		Single element with 0 - 10 VDC output (split core design)*
*CR4210S and CR4211S only available in ranges 20 amps and above			

Ranges available up to and including 600 AAC

## SPECIFICATIONS

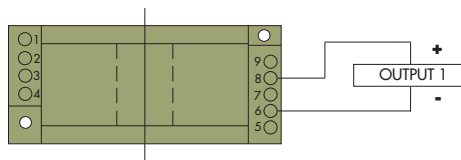
Basic Accuracy:.....	0.5%	Cleaning:.....	Water-dampened cloth
Linearity:.....	10% to 100% FS	Output Load:.....	> or = 1 Meg $\Omega$
Thermal Drift:.....	500 PPM/ $^{\circ}$ C	Response Time:.....	250 ms max., 0-90%FS
Operating Temperature:.....	0 $^{\circ}$ C to +60 $^{\circ}$ C	Relative Humidity:.....	5% to 95%, Non-Condensing
Installation Category:.....	CAT II	Supply Power:.....	Self powered (output voltage is obtained from current-sensing conductor)
Vibration Tested To:.....	IEC 60068-2-6,1995	Torque Specs:.....	3.0 inch lbs. (0.4Nm)
Pollution Degree:.....	2	Weight:.....	0.5 lbs.
Insulation Voltage:.....	2500 VDC		
Altitude:.....	2000 meter max.		
Frequency Range:.....	50Hz - 400Hz		
Calibration:.....	Average Sensing, RMS Calibrated		
MTBF:.....	Greater than 100 K Hours		

## OUTLINE DRAWING



## CONNECTION DIAGRAM

Request CR Magnetics Low & Medium Voltage Current Transformers Catalog.



CR4210 Single Element 0 - 5 VDC Output  
 CR4211 Single Element 0 - 10 VDC Output

NOTE: The building installation must have a switch or circuit-breaker that is in close proximity and within easy reach of the operator. The switch or circuit breaker shall be marked as the disconnecting device for the equipment.