

Dew-point Alarm types EDA-24 and EDA-230

Application



mode, the two potential-free relay outputs are activated. The relay outputs can be used to shut off the chilling valve for the chilled panel/chilled beam and to give a signal to an alarm system or BMS system that condensate has generated in this regulation zone. The relay outputs are in the alarm mode in the case of condensate, short-circuited sensor circuit or disconnected sensor circuit.

EDA has a potentiometer for setting the sensitivity of the EDA-S sensor.

The EDA-S sensor is placed on the flow pipe for the chilled panel/beam, following which condensate on the EDA-S sensor will trigger an alarm.

The sensor is attached by means of plastic strips supplied with the EDA-S sensor.

EDA is an electronic dew-point alarm for monitoring chilled panels or chilled beams.

EDA can be used in connection with Danfoss self-actuating climatic regulator FED/FEK.

Via sensor type EDA-S, the electronic dew-point alarm EDA registers whether condensate is appearing on the flow pipe to the chilled panel/chilled beam.

When condensate is registered on the flow pipe to the chilled panel/chilled beam, the electronic dew-point alarm EDA is activated. In the alarm

LED indication:

On the front of the electronic dew-point alarm, EDA, there are two LEDs:

- Green LED to show whether a supply voltage has been connected to the product.
- Red LED to show whether there is a dew-point or sensor alarm.

Ordering and specifications

Electronic dew-point alarm

Type	Description	Code no.
EDA-24	Electronic dew-point alarm, 24 V power supply	088H3001
EDA-230	Electronic dew-point alarm, 230 V power supply	088H3002
EDA-S	Sensor for electronic dew-point alarm	088H3011

Accessories

Description	Code no.
Plastic box for EDA, enclosure IP54, dimensions, mm: H = 130, D = 94, W = 94	088H3010

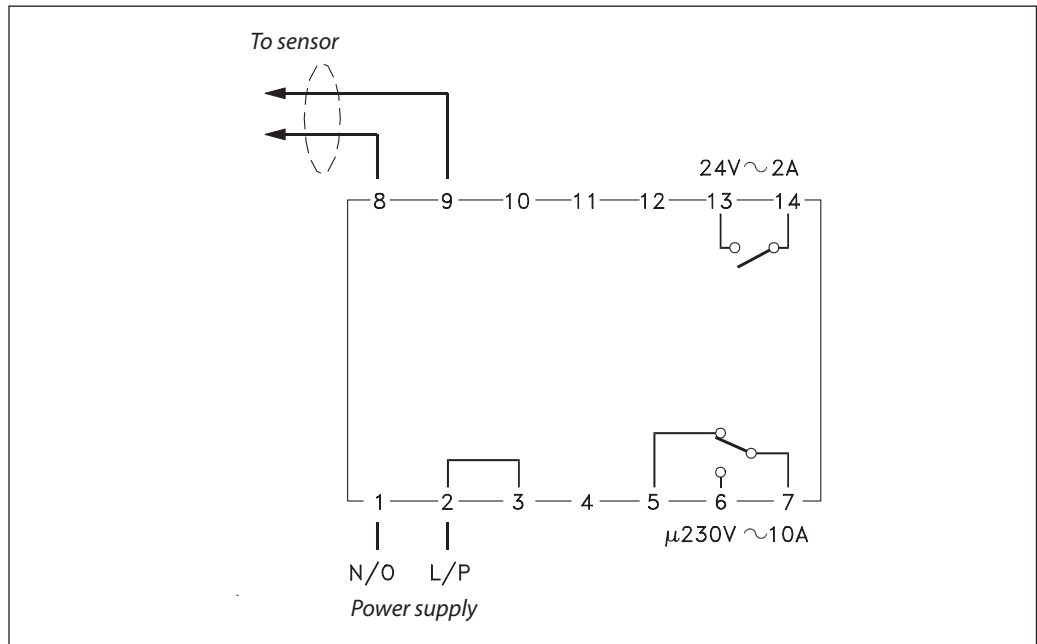
Valve

Type	Description	Code no.
RA-C 15	For chilling and heating circuits	013G3094
RA-C 20	For chilling and heating circuits	013G3096

Thermal actuator

All Danfoss thermal actuators, type TWA, can be used with the EDA dew-point alarm. Further information is available from the TWA data sheets.

Wiring diagram

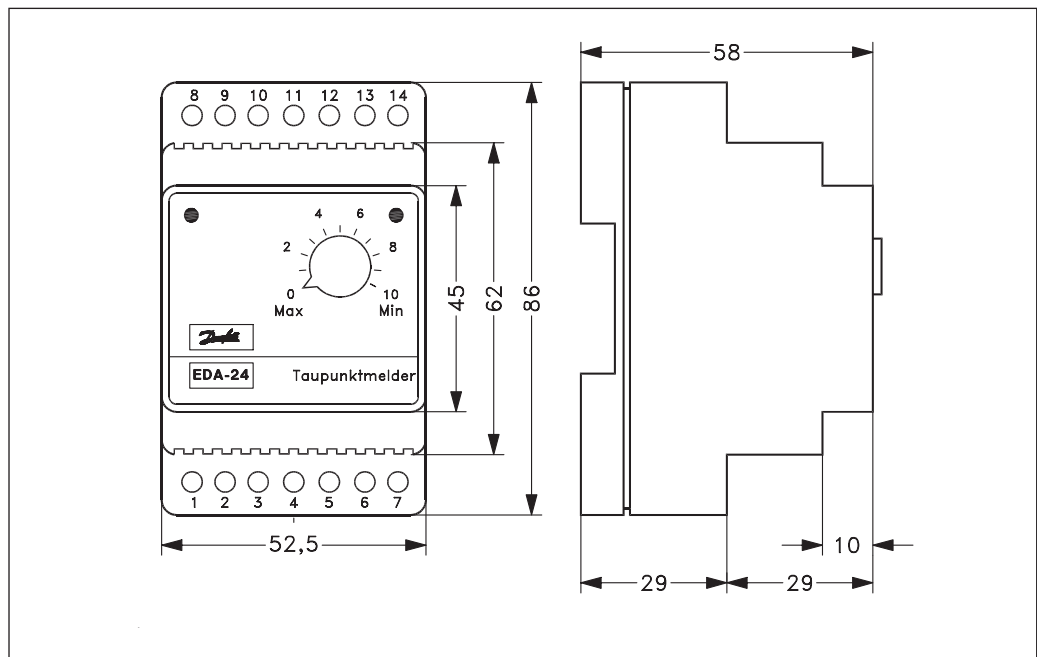


Data

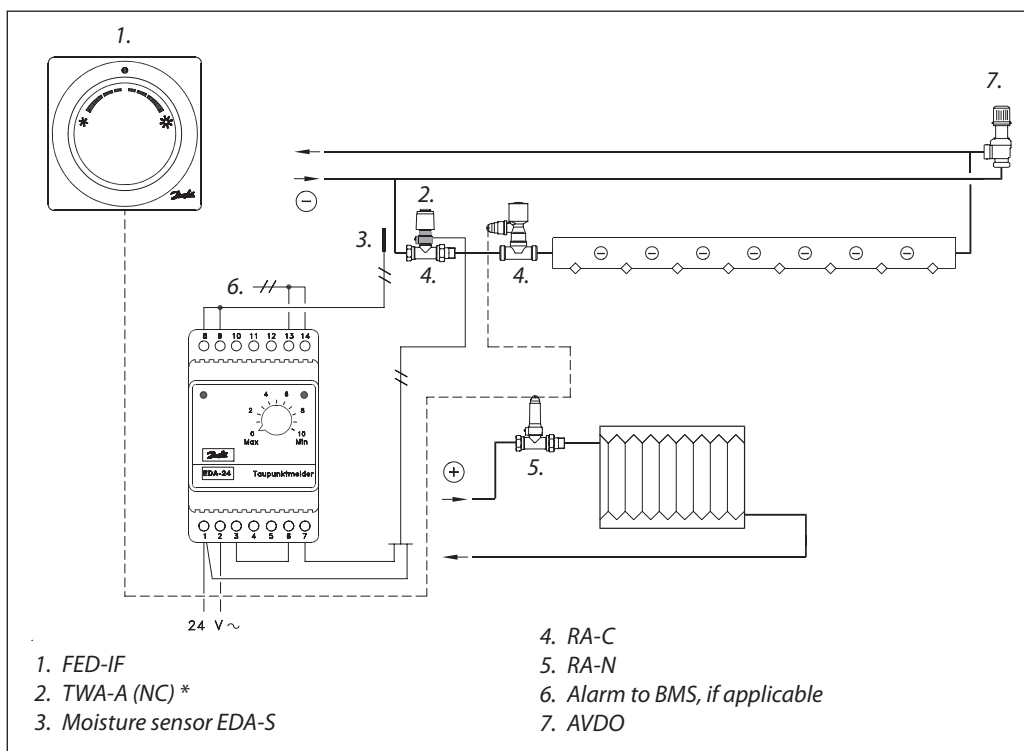
Type	EDA-24	EDA-230
Supply voltage	24 VAC ± 10%, 50-60 Hz	230 VAC ± 10%, 50-60 Hz
Power consumption	3 VA	3 VA
Relay output 1* (7-5 / 7-6)	230 VAC, 10 A, NO/NC	230 VAC, 10 A, NO/NC
Relay output 2* (13-14)	24 VAC, 2 A, NC	24 VAC, 2 A, NC
Ambient temperature	-20 / +50 °C	-20 / +50 °C

* Stated with connected supply voltage, but condensate alarm not in alarm mode.

Dimensions



Electrical connection,
self-actuating climatic
regulator FED-IF



Danfoss can accept no responsibility for possible errors in catalogues, brochures and other printed material. Danfoss reserves the right to alter its products without notice. This also applies to products already on order provided that such alterations can be made without subsequential changes being necessary in specifications already agreed. All trademarks in this material are property of the respective companies. Danfoss and the Danfoss logotype are trademarks of Danfoss A/S. All rights reserved.

