

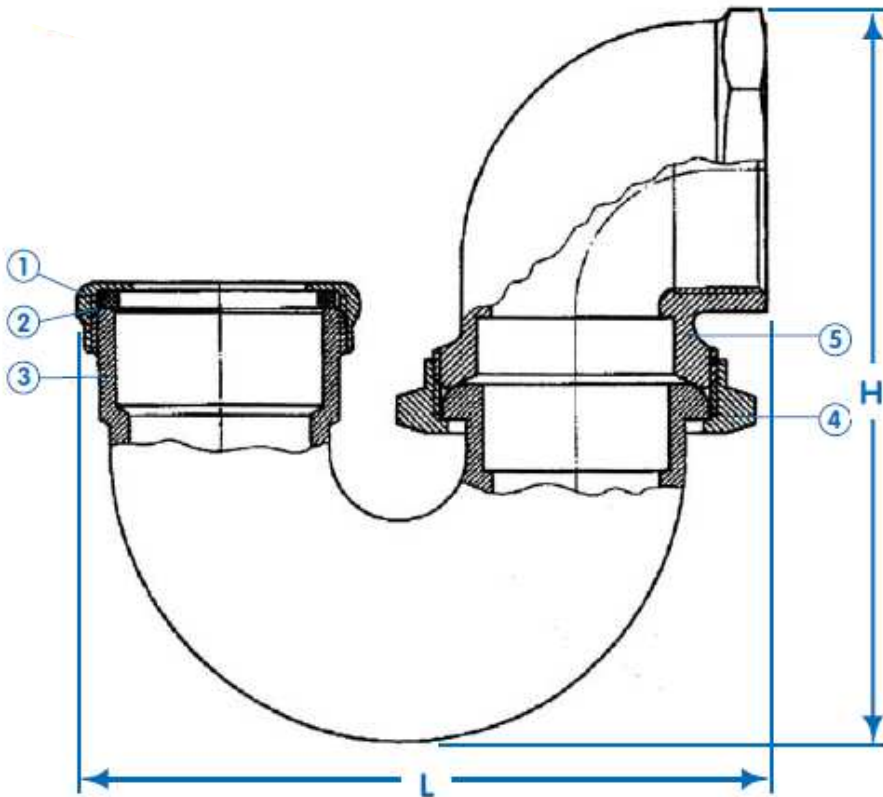
TUBULAR SPEC SHEET



ITEM #
11314



ITEM #
21315



PARTS LIST

No.	Part	Material
1	Packing Nut	Brass
2	Packing	Rubber
3	Body	Brass
4	Nipple Nut	Brass
5	Body	Brass

DIMENSIONS

SIZE	H	L
1-1/2" FIP x 1-1/4"	5.36	5.08
1-1/2" FIP x 1-1/2"	5.36	5.08



EVERFLOW™ Go with the *FLOW*

Tel: 908.436.1100 • Fax: 908.436.1162
Toll Free: 877.941.7800 • www.everflowsupplies.com

