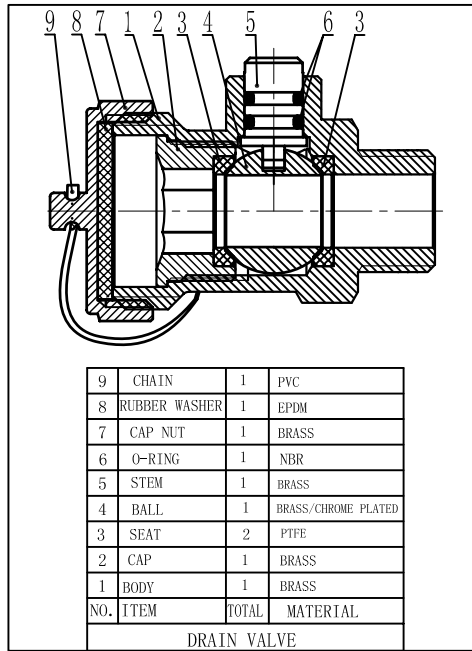
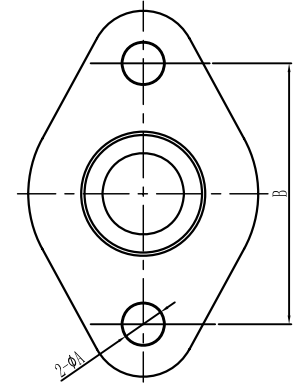
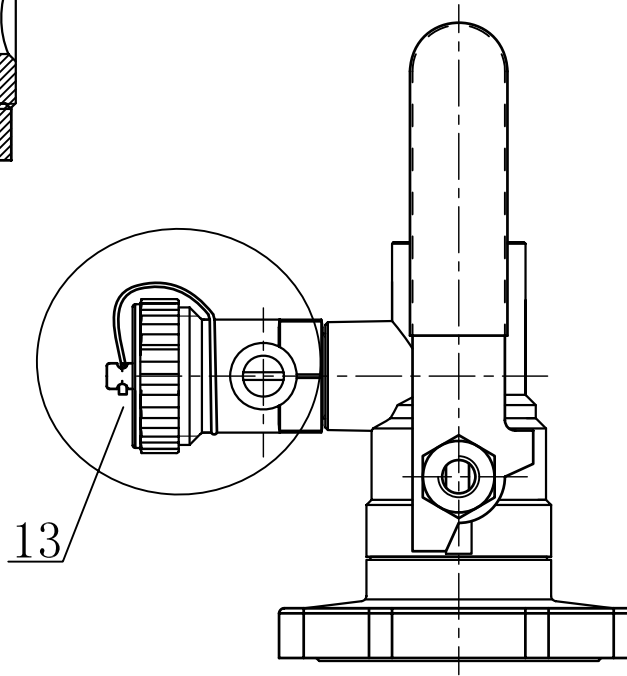


SIZE	DN	W	H	L	A	ΦB
3/4"	0.748	3.18	2.11	3.48	0.512	3.197
1"	0.984	3.49	2.25	4.29	0.512	3.197
1-1/4"	1.241	4.04	2.49	4.29	0.512	3.197



9	CHAIN	1	PVC
8	RUBBER WASHER	1	EPDM
7	CAP NUT	1	BRASS
6	O-RING	1	NBR
5	STEM	1	BRASS
4	BALL	1	BRASS/CHROME PLATED
3	SEAT	2	PTFE
2	CAP	1	BRASS
1	BODY	1	BRASS
NO.	ITEM	TOTAL	MATERIAL
DRAIN VALVE			



13	DRAIN VALVE	1	BRASS
12	FLANGE CAP	1	BRASS
11	CAP	1	BRASS
10	PACKING	1	PTFE
9	HANDLE NUT	1	PLATED STEEL
8	LOCK WASHER	1	PLATED STEEL
7	HANDLE	1	PLATED STEEL
6	PACKING NUT	1	BRASS
5	STEM	1	BRASS
4	O-RING	1	NBR
3	BALL	1	BRASS/CHROME PLATED
2	SEAT	2	PTFE
1	BODY	1	BRASS
NO.	ITEM	TOTAL	MATERIAL

版次 REV.	设变记录 ALTERATION	绘图 DRAWN	审查 CHK'D	核准 APP'D	宁波会德丰铜业有限公司 NINGBO TEXOON BRASSWORKS CO., LTD.				图名 TITLE	ASSEMBLY DRAWING	型号 FIG. NO.	3FLC
1					投影 PROJ.		单位 UNIT	in	材质 MATERIAL	AS SHOWN ABOVE	图号 DWG. NO	AS SHOWN ABOVE
								规格 SIZE	AS SHOWN ABOVE	比例 SCALE		