

MATERIAL SPECIFICATIONS

Part Name	Material
Body	Lead Free Brass
Seat	PTFE
Ball	SS304
Packing Nut	Brass
Stem	Brass
Lock Nut	Ferrum / Zinc Plated
Lock Washer	Ferrum / Zinc Plated
Packing	PTFE
Handle	Ferrum / Chrome Plated
Cap	Lead Free Brass
Body O-Ring	FKM

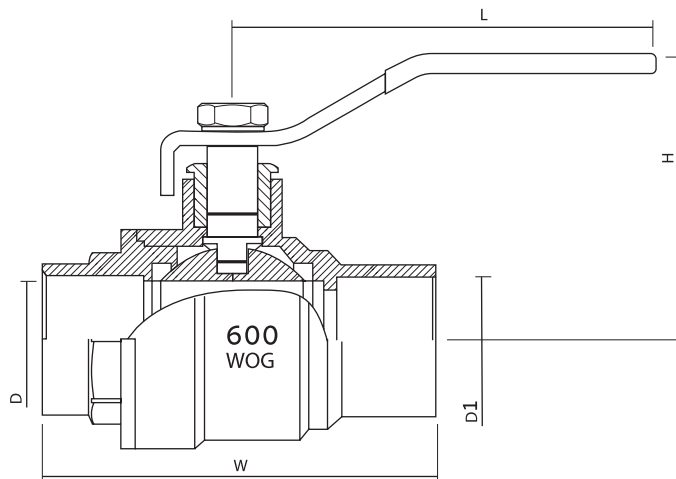
Features & Benefits



- Dezincification Resistant (DZR) Lead Free Brass Material
- Solder-Joint Conform ASME B16.22
- Forged Brass Body
- Blow Out Proof Stem Design
- Packing Nut & Packing On The Stem Seal
- Stainless Steel Ball
- Handle With Vinyl Grip
- 600 psi (WOG) 150 psi (WSP) Service
- Temperature Range : -20° F to 300° F



Lead Free, Full Port Brass Ball Valves Solder End



DIMENSIONS

Part#	Size	D	L	H	W	D1	**	Cv	Wt.(lbs.)
600C012-NL	1/2"	0.524	3.46	1.73	1.945	0.63	0.504	14.56	0.328
600C034-NL	3/4"	0.748	3.46	1.89	2.654	0.878	0.748	29.76	0.509
600C001-NL	1"	0.984	4.29	2.14	3.315	1.13	0.909	51.55	0.908
600C114-NL	1-1/4"	1.240	4.29	2.32	3.741	1.378	0.972	81.70	1.327
600C112-NL	1-1/2"	1.476	5.63	2.66	4.252	1.63	1.091	115.89	1.841
600C002-NL	2"	1.949	5.63	3.01	5.276	2.13	1.343	200.34	3.197