

SPECIFICATIONS

Chrome Plated Fittings & Nipples

Use: For use with water, grease, fuels, LP and natural gas, refrigeration, instrumentation, and hydraulic systems in low and medium pressure pipe line connections. Use in combination with brass, copper, and iron pipe

Design Features:

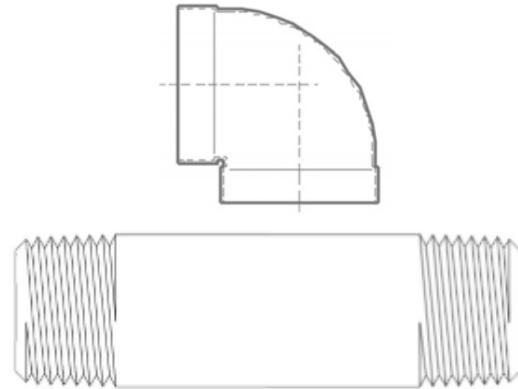
- Designed and manufactured to SAE thread standards
- Also meets ASME and ASA requirements
- Available in a broad range of sizes
- Low-lead compliant
- Chrome plating conforms to ASTM B456

Operating Specifications:

- Pressure Class #125
- Vibration: Fair resistance to vibration and pipe movement depending on conditions

Standard Product

MATERIAL SPECIFICATIONS	
Nipple	ASTM B584
Fittings	ASTM B584, ASTM B456



Listings & Certifications: lead free product conforms to NSF 61/372

Needle Valves

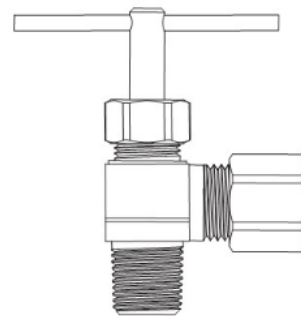
Use: For use with automotive and industrial applications for instrumentation, hydraulic and pneumatic systems. Not intended for use with natural gas, LPG (liquefied petroleum gas or propane), nuclear, or avionic (aircraft) applications

Design Features:

- Positive sealing and flow adjustment up to the capacity of the valve
- Metal-to-metal seats with a fine thread engagement
- Low-lead product available

Operating Specifications:

- Temperature: -65° - 250°F Water applications 40°F - 140°F, 115°F maximum continuous use temperature
- Working Pressure: 150 PSI



Standard Product

MATERIAL SPECIFICATIONS	
Valve Body	Brass
Stem	Brass
Handle	Steel
Nut	Brass
Rubber Washer	Rubber
Compression Ring	Brass

Standard Product

MATERIAL SPECIFICATIONS	
Valve Body	Brass
Stem	Brass
Handle	Steel
Nut	Brass
Rubber Washer	Rubber
Compression Ring	Brass

Listings & Certifications: Low-lead product CSA listed to NSF 372