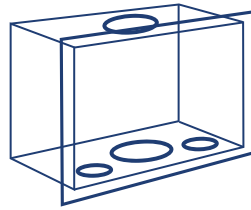


## CenterBOX

Washing Machine Outlet Box



### Features

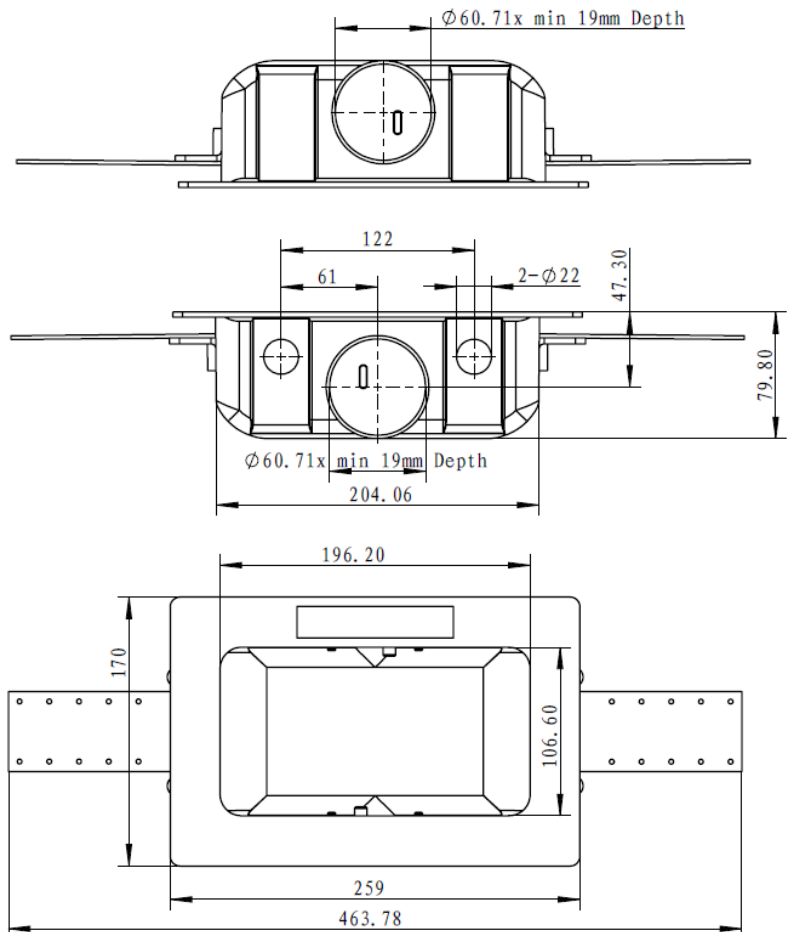
- Extra sturdy one piece box
- Forward mounting valves gives easy access for on/off operation
- Top & Bottom Center drain knock outs both compatible with clip-on dual drainage funnel
- Optional drain funnel allows for dual drainage of washing machine and condensation line
- Box can be flipped for top mount valves
- Raised drip guard contains potential leaks down the drain
- Raised lip test cap allows for easy easy knock out removal
- 4 integrated mounting tabs for stud mounting with optional clip on brackets
- Box material ABS plastic

### Options

Can be configured with multiple valve positions with or without water hammer arresters

### Connection Types

- Sweat
- IPS
- CPVC
- PEX F1807
- PEX F1960
- Press
- Pushfit



PART #	DESCRIPTION	INNER	MASTER
SB300	Center Outlet Box	1	10

WITH HAMMER ARRESTER • F1807 PEX

## Features

- Brass Body
- 1/4 Turn Handle
- Fits All Standard Outlet Boxes

## Specifications & Approvals

Max. Pressure 125 psi Temperature Rating 40° to 160°F  
 ASSE Approved  
 Certified to NSF61 and ANSI A112.18.1



PART #	SIZE	HANDLE	A	B	C	D
540PH	1/2"	Red	142.80	47.50	68.70	19
541PH	1/2"	Blue	142.80	47.50	68.70	19

