

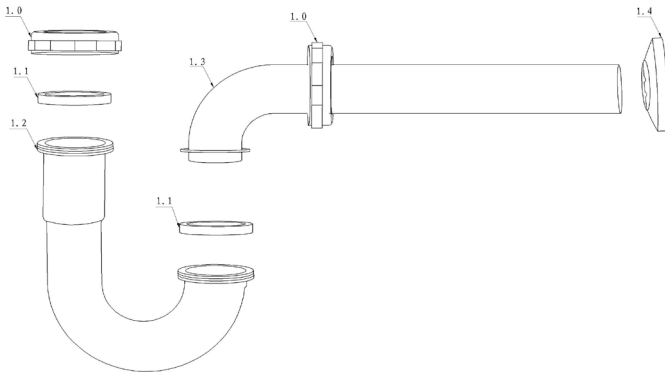
WITHOUT CLEANOUT • CHROME PLATED

Features

- 22 GA
- Chrome plated
- S/J Connect with Flange

Specifications & Approvals

Conforms to: ASME A112.18.2 / CSA B125.2

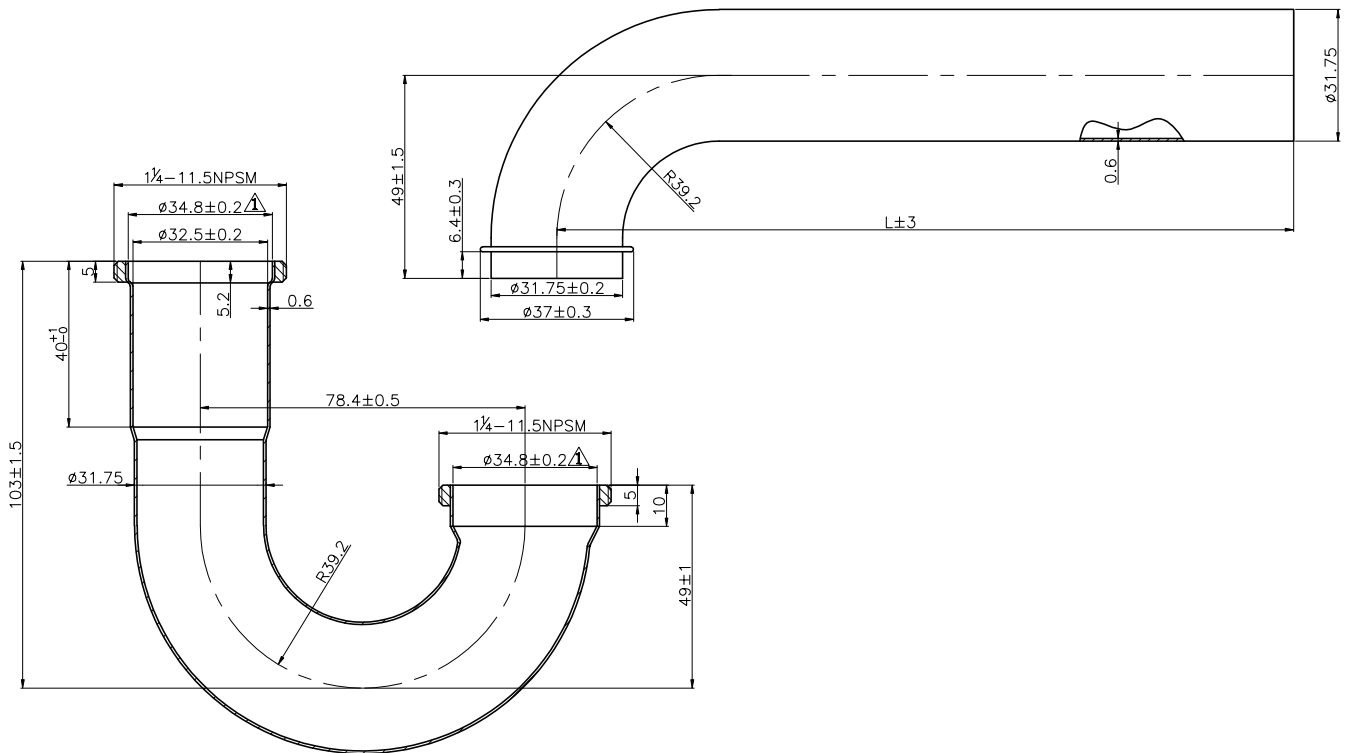


Dimensions

Part#	Size	Gauge
12815	1-1/4"	22

Material Specifications

#	Part	Material
1.0	Die Cast Nut	Zinc
1.1	Rubber Washer	Rubber
1.2	J-Bend	C27000 Common Brass
1.2.1	Brass Tube	C27000 Common Brass
1.2.2	Thread Ring	C37710 Common Brass
1.3	Wall Bend	C27000 Common Brass
1.3.1	Brass Tube	C27000 Common Brass
1.4	Flange	S/S



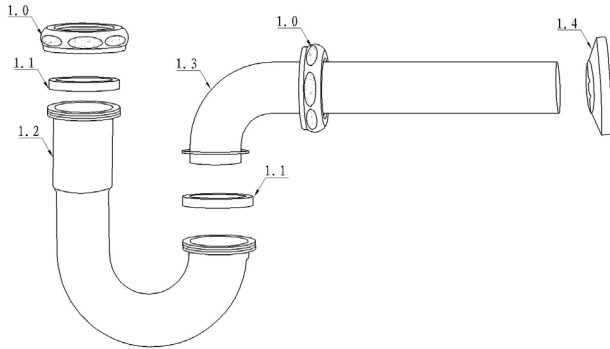
WITHOUT CLEANOUT • CHROME PLATED

Features

- 17 GA
- Chrome plated
- S/J Connect with Flange

Specifications & Approvals

Conforms to: ASME A112.18.2 / CSA B125.2

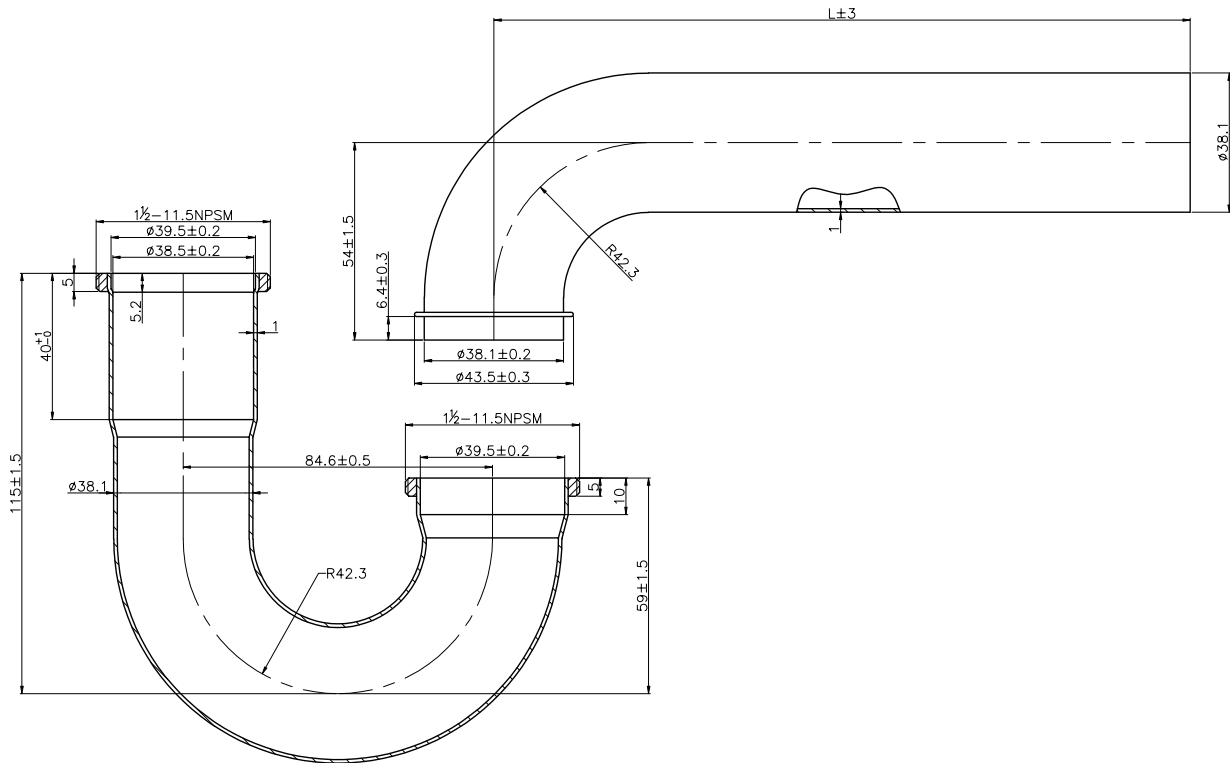


Dimensions

Part#	Size	Gauge
12712	1-1/2"	17

Material Specifications

#	Part	Material
1.0	Heavy Cast Brass Nut	C37710 Common Brass
1.1	Rubber Washer	Rubber
1.2	J-Bend	C27000 Common Brass
1.2.1	Brass Tube	C27000 Common Brass
1.2.2	Thread Ring	C37710 Common Brass
1.3	Wall Bend	C27000 Common Brass
1.3.1	Brass Tube	C27000 Common Brass
1.4	Flange	S/S



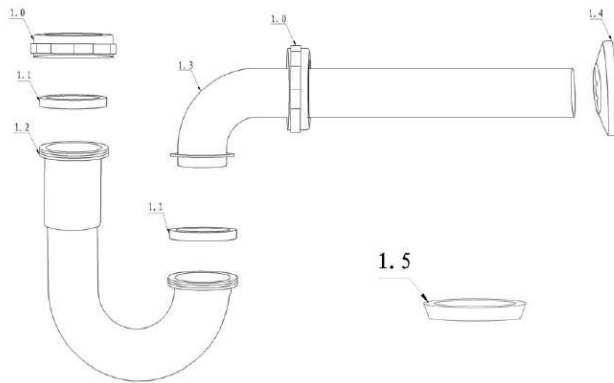
WITHOUT CLEANOUT • CHROME PLATED

Features

- 22 GA
- Chrome plated
- S/J Connect with Flange

Specifications & Approvals

Conforms to: ASME A112.18.2 / CSA B125.2

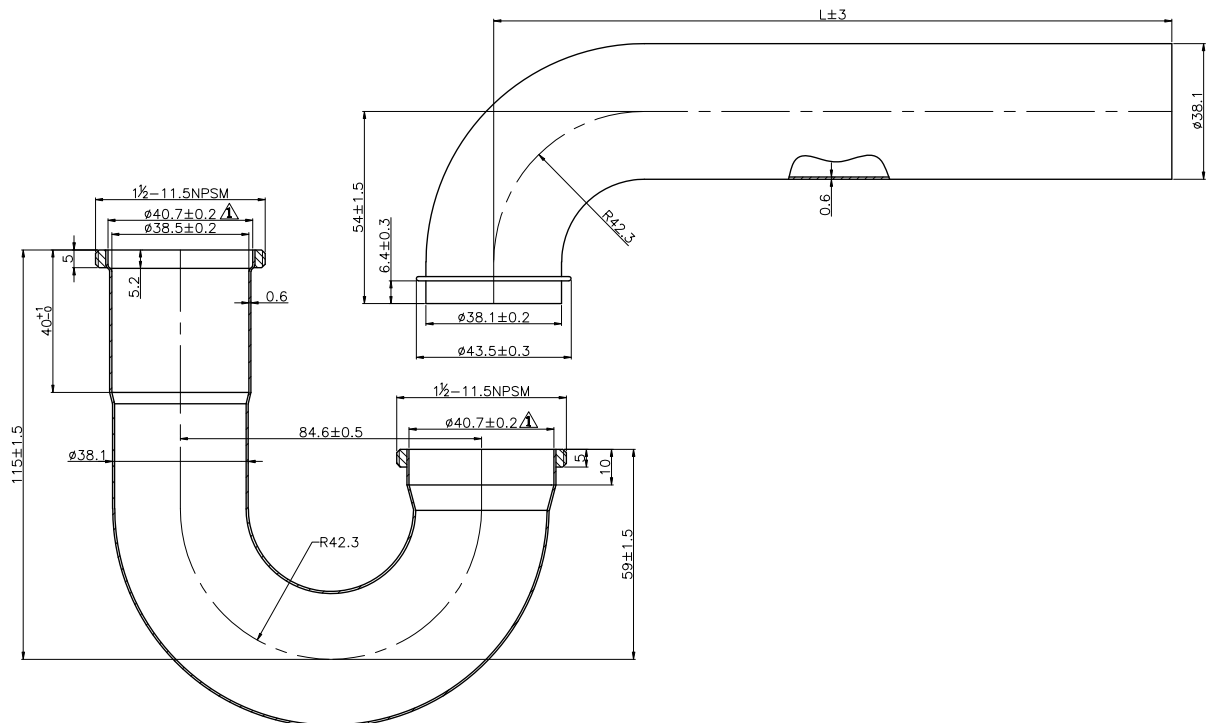


Dimensions

Part#	Size	Gauge
12812	1-1/2"	22

Material Specifications

#	Part	Material
1.0	Die Cast Nut	C37710 Common Brass
1.1	Rubber Washer	Rubber
1.2	J-Bend	C27000 Common Brass
1.2.1	Brass Tube	C27000 Common Brass
1.2.2	Thread Ring	C37710 Common Brass
1.3	Wall Bend	C27000 Common Brass
1.3.1	Brass Tube	C27000 Common Brass
1.4	Flange	S/S
1.5	Poly Washer	Washer



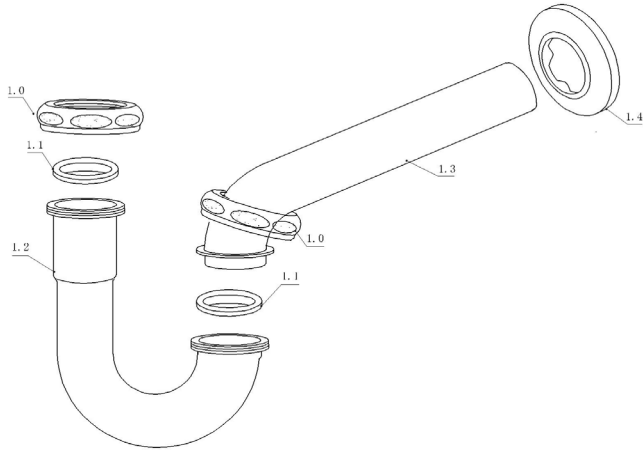
WITHOUT CLEANOUT • CHROME PLATED

Features

- 17 GA
- Chrome plated
- S/J Connect with Flange

Specifications & Approvals

Conforms to: ASME A112.18.2 / CSA B125.2



Dimensions

Part#	Size	Gauge
12714	1-1/4"	17

Material Specifications

#	Part	Material
1.0	Heavy Cast Brass Nut	C37710 Common Brass
1.1	Rubber Washer	Rubber
1.2	J-Bend	C27000 Common Brass
1.2.1	Brass Tube	C27000 Common Brass
1.2.2	Thread Ring	C37710 Common Brass
1.3	Wall Bend	C27000 Common Brass
1.3.1	Brass Tube	C27000 Common Brass
1.4	Flange	S/S

