

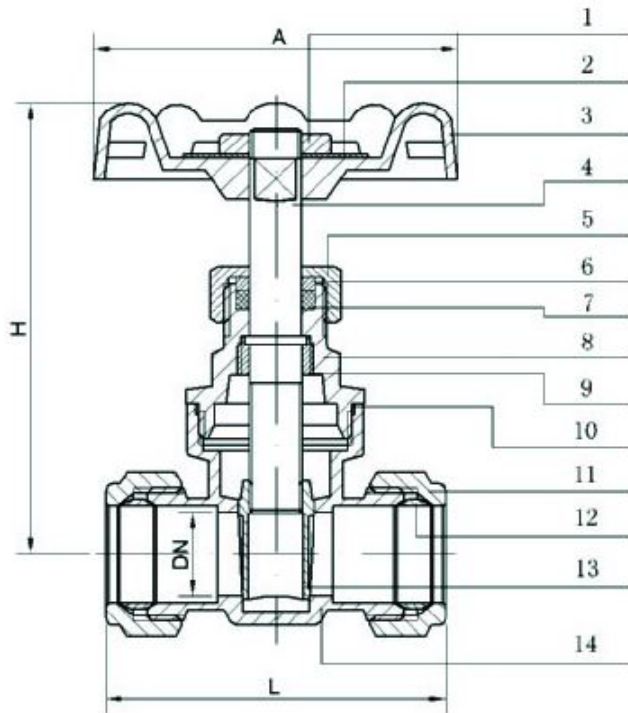
COMP X COMP

Features

- Cast Brass Body and Disc
- Non Rising Stem
- Cast Iron Wheel Handle
- Compression Ends

Specifications & Approvals

200 WOG Non Shock
 Temperature Range : 180°F



Dimensions

Part#	Size	L	H	DN	A
205P012	1/2"	2.64	2.95	0.55	2.13
205P034	3/4"	2.87	3.35	0.77	2.13
205P001	1"	3.31	3.78	0.98	2.32

Material Specifications

Part Name	Material
1. Nut	Steel
2. Disk	Al
3. Handle	Steel
4. Stem	Brass
5. Compression	Brass
6. Ring	Brass
7. Packing	PTFE
8. Cap	Brass
9. Packing Nut	Brass
10. Gasket	PTFE
11. Compression	Brass
12. Ring	Brass
13. Flange	Brass
14. Body	Brass