

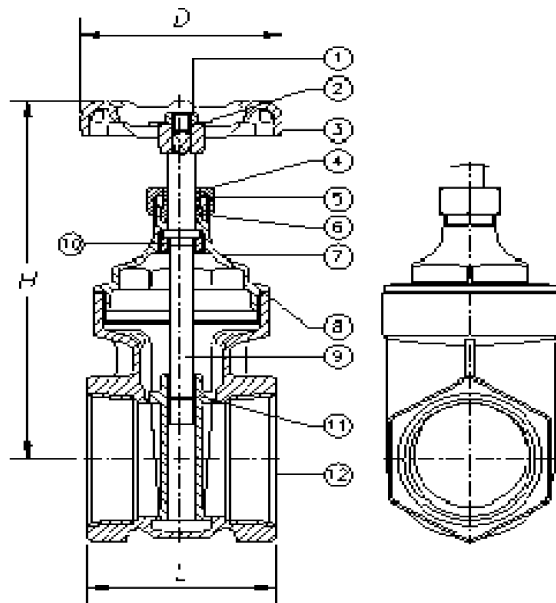
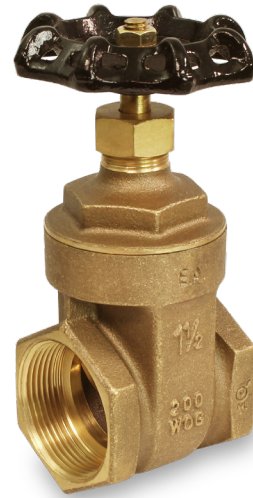
**FULL PORT • 200 WOG • HEAVY DUTY INDUSTRIAL GRADE • FEMALE NPT**

**Features**

- Heavy Duty Construction
- Full Port
- Cast Iron Handle
- Cast Brass Body & Disc
- Non-rising Stem

**Specifications & Approvals**

Threads conform ANSI B1.20.1  
 200 WOG Non Shock Temperature Range: 180°F  
 Third Party Certified NSF/ANSI-61/372 Standard  
 Approved 1-1/2" - 2"



**Dimensions**

Part#	Size	L	H	D	D1
207T112-NL	1-1/2"	62	129	80	38
207T002-NL	2"	68.5	152	89.5	49

**Material Specifications**

Part Name	Material
1. Nut	Brass C37700
2. Name Plate	Aluminum A1100
3. Handwheel	Cast Iron JIS ZZ2202
4. Packing Nut	Brass C37700
5. Gland Ring	Brass C37700
6. Gland Packing	PTFE
7. Bonnet	Brass C89550
8. Packing	FIBRE "H"
9. Stem	Brass C46400
10. Lock Nut	Brass C46400
11. Disc	Brass C89550
12. Body	Brass C89550