

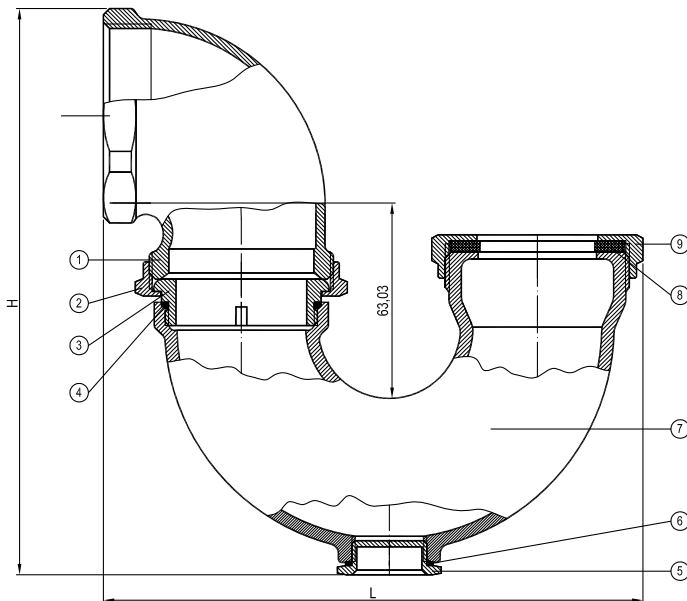
C-TRAP • INCLUDES SOLID BRASS NUT • ROUGH BRASS • LEAD FREE

Features

- Rough brass body
- Includes solid brass nut
- 2" FIP x 1-1/2"

Specifications & Approvals

Conforms to: ASME A112.18.1 / CSA B125.1



Dimensions

Part#	Size	H	L
21326	2" FIP x 1-1/2"	181	168

Material Specifications

Part Name	Material
1. Body 2	Brass B584 C85710
2. Nipple Nut	Brass B584 C85710
3. Nipple	Brass B584 C85710
4. O-Ring	Rubber SE-719F
5. Body 1	Brass B584 C85710
6. Packing	Rubber SE-719F
7. Packing Nut	Brass B584 C85710

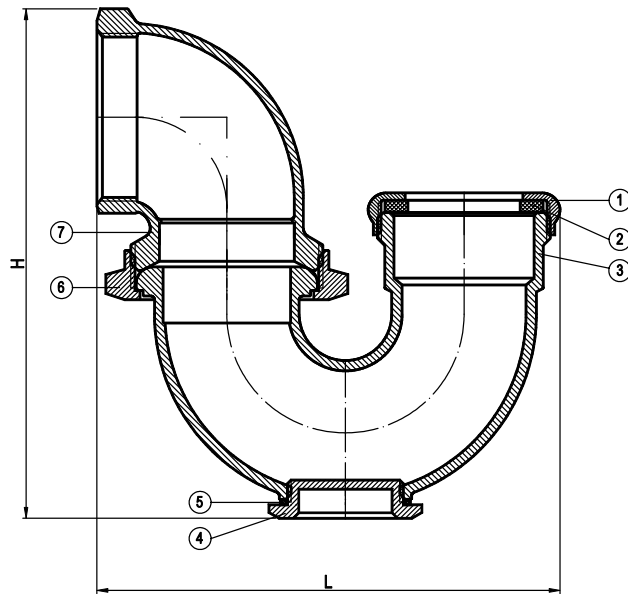
INCLUDES SOLID BRASS NUT • CHROME PLATED • LEAD FREE

Features

- Rough brass body
- Includes solid brass nut
- 1-1/2" FIP x 1-1/4"

Specifications & Approvals

Conforms to: ASME A112.18.1 / CSA B125.1



Dimensions (mm)

Part#	Size	H	L	L1
11315	1-1/2" FIP x 1-1/4"	139.8	127	57.5

Material Specifications

Part Name	Material
1. Packing Nut	Brass B584 C85700
2. Packing	SE-719F / SN-719F
3. Body	Brass B584 C85700
4. Bonnet	Brass B124 C37700
5. Packing	SE-719F / SN-719F
6. Nipple Nut	Brass B584 C85700
7. Body	Brass B584 C85700

